

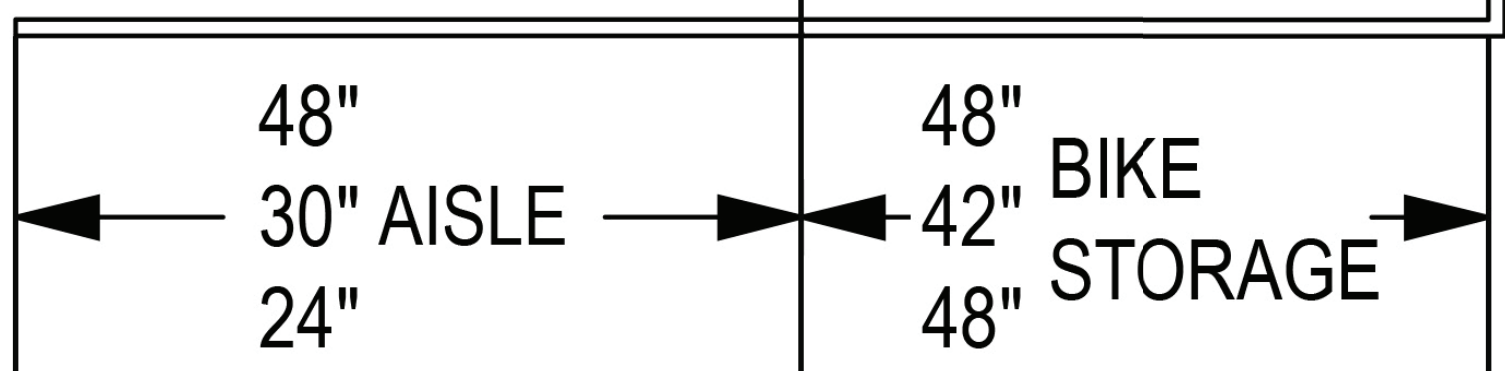
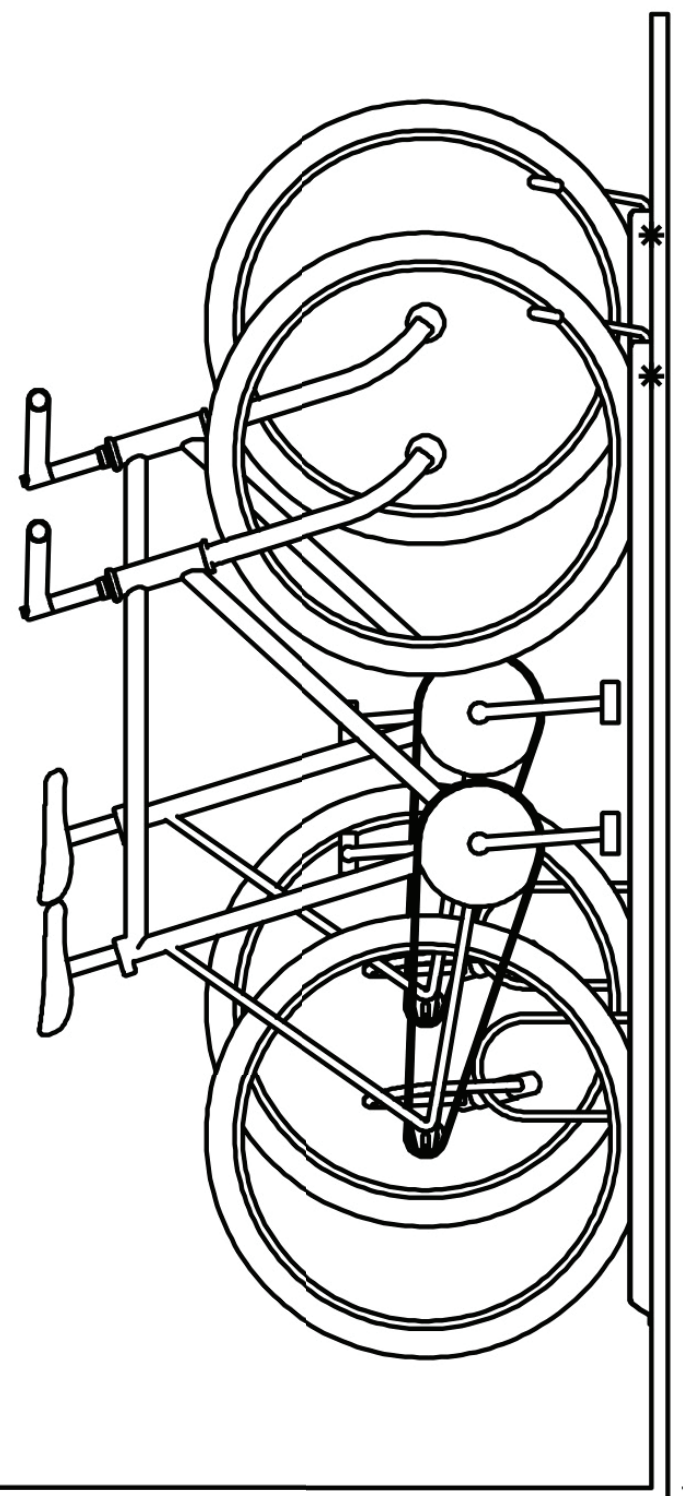
# BIKE STORAGE SPACING RECOMMENDATIONS

## Vertical/Wall-mounted Bike Parking

### Space for bicycle:

- 96" total floor space, recommended
  - 48" bike storage space | 48" aisle space
- 72" total floor space, minimum
  - 48" bike storage space, recommended | 24" aisle space
  - 42" bike storage space, minimum | 30" aisle space

Vertical bike racks are primarily designed and used to maximize bike storage density. This is achieved by vertically staggering the racks where there will be some overlap of the common 24-in handlebars.



# BIKE STORAGE SPACING RECOMMENDATIONS

## Vertical/Wall-mounted Bike Parking

### Horizontal Spacing Between Staggered Racks

- 16" recommended
- 14" minimum

### Vertical Spacing Between Staggered Racks

- Specific to rack being used
- Typically between 8" and 12"

### Vertical Clearance

Varies depending on rack used. Can be determined by finding the sum of three dimensions.

- Ground clearance (Typically 8" minimum)
- Bicycle length (72" minimum)
- Lifting clearance (Depth of hook that supports bicycle)

