

GENERAL NOTES:

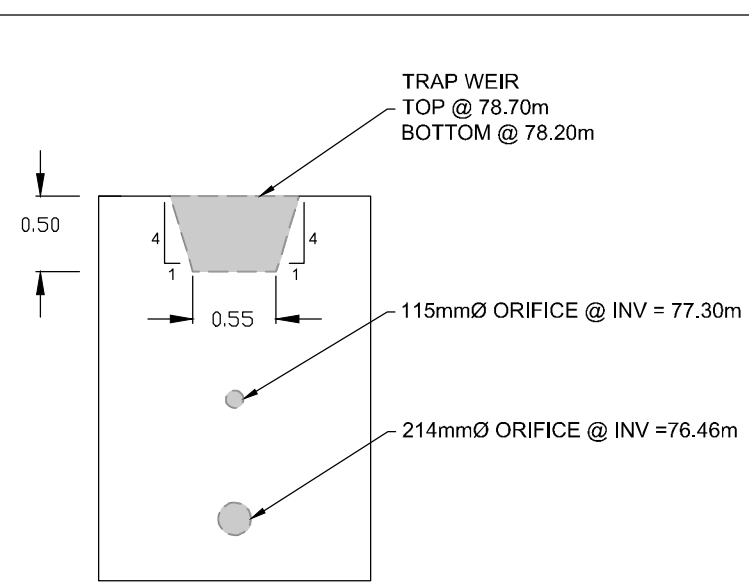
- COORDINATE AND SCHEDULE ALL WORK WITH OTHER TRADES AND CONTRACTORS.
- DETERMINE THE EXACT LOCATION, SIZE, MATERIAL AND ELEVATION OF ALL EXISTING UTILITIES PRIOR TO COMMENCING CONSTRUCTION. PROTECT AND ASSUME RESPONSIBILITY FOR ALL EXISTING UTILITIES WHETHER OR NOT SHOWN ON THIS DRAWING.
- OBTAIN ALL NECESSARY PERMITS AND APPROVALS FROM THE CITY OF OTTAWA BEFORE COMMENCING CONSTRUCTION.
- BEFORE COMMENCING CONSTRUCTION OBTAIN AND PROVIDE PROOF OF COMPREHENSIVE, ALL RISK AND OPERATIONAL LIABILITY INSURANCE FOR \$5,000,000.00. INSURANCE POLICY TO NAME OWNERS, ENGINEERS AND ARCHITECTS AS CO-INSURED AND THE CITY OF OTTAWA AS THIRD PARTY.
- RESTORE ALL DISTURBED AREAS ON-SITE AND OFF-SITE, INCLUDING TRENCHES AND SURFACES ON PUBLIC ROAD ALLOWANCES TO EXISTING CONDITIONS OR BETTER TO THE SATISFACTION OF THE CITY OF OTTAWA AND ENGINEER.
- REMOVE FROM SITE ALL EXCESS EXCAVATED MATERIAL, ORGANIC MATERIAL AND DEBRIS UNLESS OTHERWISE INSTRUCTED BY ENGINEER. EXCAVATE AND REMOVE FROM SITE ANY CONTAMINATED MATERIAL. ALL CONTAMINATED MATERIAL SHALL BE DISPOSED OF AT A LICENSED LANDFILL FACILITY.
- ALL ELEVATIONS ARE GEODETIC.
- REFER TO GEOTECHNICAL REPORT (No. PG5887-1, DATED NOVEMBER 30, 2022), PREPARED BY PARSONS FOR SUBSURFACE CONDITIONS, CONSTRUCTION RECOMMENDATIONS, AND GEOTECHNICAL INSPECTION REQUIREMENTS. THE GEOTECHNICAL CONSULTANT IS TO REVIEW ON-SITE CONDITIONS AFTER EXCAVATION PRIOR TO PLACEMENT OF THE GRANULAR MATERIAL.
- REFER TO ARCHITECTS AND LANDSCAPE ARCHITECTS DRAWINGS FOR BUILDING AND HARDSURFACE AREAS AND DIMENSIONS.
- REFER TO STORMWATER MANAGEMENT REPORT (R-2023-051) PREPARED BY NOVATECH ENGINEERING CONSULTANTS LTD.
- SAW CUT AND KEY GRIND ASPHALT AT ALL ROAD CUTS AND ASPHALT TIE IN POINTS AS PER CITY OF OTTAWA STANDARDS (R10).
- PROVIDE LINE/PARKING PAINTING AS REQUIRED FOR REINSTATEMENT.
- CONTRACTOR TO PROVIDE THE CONSULTANT WITH A GENERAL PLAN OF SERVICES INDICATING ALL SERVICES AS-BUILT INFORMATION SHOWN ON THIS PLAN. AS-BUILT INFORMATION MUST INCLUDE: PIPE MATERIAL, SIZES, LENGTHS, SLOPES, INVERT AND T/G ELEVATIONS, STRUCTURE LOCATIONS, VALVE AND HYDRANT LOCATIONS, TWM ELEVATIONS AND ANY ALIGNMENT CHANGES, ETC.

GRADING NOTES:

- ALL TOPSOIL, ORGANIC OR DELETERIOUS MATERIAL MUST BE ENTIRELY REMOVED FROM BENEATH THE PROPOSED PAVED AREAS AS DIRECTED BY THE SITE ENGINEER OR GEOTECHNICAL ENGINEER.
- EXPOSED SUBGRADES IN PROPOSED PAVED AREAS SHOULD BE PROOF ROLLED WITH A LARGE STEEL DRUM ROLLER AND INSPECTED BY THE GEOTECHNICAL ENGINEER PRIOR TO THE PLACEMENT OF GRANULARS.
- ANY SOFT AREAS EVIDENT FROM THE PROOF ROLLING SHOULD BE SUB-EXCAVATED AND REPLACED WITH SUITABLE MATERIAL THAT IS FROST COMPATIBLE WITH THE EXISTING SOILS AS RECOMMENDED BY THE GEOTECHNICAL ENGINEER.
- THE GRANULAR BASE SHOULD BE COMPACTED TO AT LEAST 100% OF THE STANDARD PROCTOR MAXIMUM DRY DENSITY VALUE. ANY ADDITIONAL GRANULAR FILL USED BELOW THE PROPOSED PAVEMENT SHOULD BE COMPACTED TO AT LEAST 98% OF THE STANDARD PROCTOR MAXIMUM DRY DENSITY VALUE.
- MINIMUM OF 2% GRADE FOR ALL GRASS AREAS UNLESS OTHERWISE NOTED.
- MAXIMUM TERRACING GRADE TO BE 3:1 UNLESS OTHERWISE NOTED.
- ALL GRADES BY CURBS ARE EDGE OF PAVEMENT GRADES UNLESS OTHERWISE INDICATED.
- ALL CURBS SHALL BE BARRIER CURB (150mm) UNLESS OTHERWISE NOTED AND CONSTRUCTED AS PER CITY OF OTTAWA STANDARDS (SC1.1).
- REFER TO LANDSCAPE PLAN FOR PLANTING AND OTHER LANDSCAPE FEATURE DETAILS.
- CONTRACTOR TO PROVIDE THE CONSULTANT WITH A GRADING PLAN INDICATING AS-BUILT ELEVATIONS OF ALL DESIGN GRADES SHOWN ON THIS PLAN.

PAVEMENT STRUCTURE:

- HEAVY DUTY PAVEMENT ABOVE PODIUM DECK ROOF
 - 40mm HL3 OR SP 12.5
 - 50mm HL8 PR SP 19.0
 - 150mm OPSS GRANULAR "A"
- HEAVY DUTY PAVEMENT
 - 40mm HL3 OR SP 12.5
 - 50mm HL8 PR SP 19.0
 - 150mm OPSS GRANULAR "A"
 - 450mm OPSS GRANULAR "B" TYPE II



TRAP WEIR DETAIL
SCALE: NTS

EROSION AND SEDIMENT CONTROL NOTES:

- THE OWNER AGREES TO PREPARE AND IMPLEMENT AN EROSION AND SEDIMENT CONTROL PLAN TO THE SATISFACTION OF THE CITY OF OTTAWA, APPROPRIATE TO THE SITE CONDITIONS, PRIOR TO UNDERTAKING ANY SITE ALTERATIONS (FILLING, GRADING, REMOVAL OF VEGETATION, ETC.) AND DURING ALL PHASES OF SITE PREPARATION AND CONSTRUCTION IN ACCORDANCE WITH THE CURRENT BEST MANAGEMENT PRACTICES FOR EROSION AND SEDIMENT CONTROL SUCH AS BUT NOT LIMITED TO INSTALLING FILTER CLOTHS ACROSS MANHOLE/CATCHBASIN LIDS TO PREVENT SEDIMENTS FROM ENTERING STRUCTURES AND INSTALL AND MAINTAIN A LIGHT DUTY SILT FENCE BARRIER AS REQUIRED.
- THE CONTRACTOR SHALL PLACE FILTER CLOTH UNDER THE CATCHBASIN AND MANHOLE GRATES FOR THE DURATION OF CONSTRUCTION AND WILL REMAIN IN PLACE DURING ALL PHASES OF CONSTRUCTION.
- SILT FENCING FOR ENTIRE PERIMETER OF SITE, SHALL BE UTILIZED TO CONTROL EROSION FROM THE SITE DURING CONSTRUCTION.
- THE CONTRACTOR ACKNOWLEDGES THAT FAILURE TO IMPLEMENT EROSION AND SEDIMENT CONTROL MEASURES MAY BE SUBJECT TO PENALTIES IMPOSED BY ANY APPLICABLE REGULATORY AGENCY.
- EROSION AND SEDIMENT CONTROL MEASURES MAY BE MODIFIED IN THE FIELD AT THE DISCRETION OF THE CITY OF OTTAWA SITE INSPECTOR OR CONSERVATION AUTHORITY.

SEWER NOTES:

- SPECIFICATIONS:

ITEM	SPEC. No.	REFERENCE
CATCHBASIN (600x600mm)	705.010	OPSD
STORM / SANITARY MANHOLE (1200)	701.010	OPSD
CB, FRAME & COVER	400.020	OPSD
STORM / SANITARY MH FRAME	S25	CITY OF OTTAWA
SANITARY COVER	S24	CITY OF OTTAWA
STORM COVER (CLOSED)	S24.1	CITY OF OTTAWA
STORM COVER (OPEN)	S28.1	CITY OF OTTAWA
SEWER TRENCH	S8 & S7	CITY OF OTTAWA
STORM SEWER	PVC DR 35	CITY OF OTTAWA
SANITARY SEWER	PVC DR 35	CITY OF OTTAWA
STEEL CASING PROTECTION	F-4412	CITY OF OTTAWA
ELBOW CB	S31	CITY OF OTTAWA
TEE CB	S30	CITY OF OTTAWA
- SERVICES ARE TO BE CONSTRUCTED TO 1.0m FROM FACE OF BUILDING AT A MINIMUM SLOPE OF 1.0%.
- INSULATE ALL PIPES (SAN/STM) THAT HAVE LESS THAN 2.0m COVER WITH 50mmx1200mm HI-40 INSULATION. PROVIDE 150mm CLEARANCE BETWEEN PIPE AND INSULATION.
- PIPE BEDDING, COVER AND BACKFILL ARE TO BE COMPACTED TO AT LEAST 95% OF THE STANDARD PROCTOR MAXIMUM DRY DENSITY. THE USE OF CLEAR CRUSHED STONE AS A BEDDING LAYER SHALL NOT BE PERMITTED.
- FLEXIBLE CONNECTIONS ARE REQUIRED FOR CONNECTING PIPES TO MANHOLES (FOR EXAMPLE KOR-N-SEAL, PSX, POSITIVE SEAL AND DURASEAL). THE CONCRETE CRADLE FOR THE PIPE CAN BE ELIMINATED.
- THE OWNER SHALL REQUIRE THAT THE SITE SERVICING CONTRACTOR PERFORM FIELD TESTS FOR QUALITY CONTROL OF ALL SANITARY SEWERS. LEAKAGE TESTING SHALL BE COMPLETED IN ACCORDANCE WITH OPSS 410.07.16, 410.07.16.04 AND 407.07.24. DYE TESTING IS TO BE COMPLETED ON ALL SANITARY SERVICES TO CONFIRM PROPER CONNECTION TO THE SANITARY SEWER MAIN. THE FIELD TESTS SHALL BE PERFORMED IN THE PRESENCE OF A CERTIFIED PROFESSIONAL ENGINEER WHO SHALL SUBMIT A CERTIFIED COPY OF THE TEST RESULTS.
- STORM MANHOLES AND CBMHS ARE TO HAVE 300mm SUMPS UNLESS OTHERWISE INDICATED.
- CONTRACTOR TO TELEWISE (CCTV) ALL PROPOSED SEWERS, 200mmØ OR GREATER PRIOR TO BASE COURSE ASPHALT. UPON COMPLETION OF CONTRACT, THE CONTRACTOR IS RESPONSIBLE TO FLUSH AND CLEAN ALL SEWERS & APPURTENANCES.
- DYE TESTING IS TO BE COMPLETED ON SANITARY SERVICES TO CONFIRM PROPER CONNECTION TO THE SANITARY SEWER MAIN.
- A SANITARY BACKWATER VALVE ON THE SANITARY SERVICE IS REQUIRED.
- ALL DRAINAGE FOR THE UNDERGROUND PARKING LEVELS IS REQUIRED TO BE DIRECTED TO THE SANITARY SEWER

WATERMAIN NOTES:

- SPECIFICATIONS:

ITEM	SPEC. No.	REFERENCE
WATERMAIN TRENCHING	W17	CITY OF OTTAWA
THERMAL INSULATION IN SHALLOW TRENCHES	W22	CITY OF OTTAWA
WATERMAIN CROSSING OVER SEWER	W25.2	CITY OF OTTAWA
WATERMAIN	PVC DR 18	CITY OF OTTAWA
VALVE CHAMBER	W11	CITY OF OTTAWA
VALVE BOX	W24	CITY OF OTTAWA
- SUPPLY AND CONSTRUCT ALL WATERMANS AND APPURTENANCES IN ACCORDANCE WITH THE CITY OF OTTAWA STANDARDS AND SPECIFICATIONS. EXCAVATION, INSTALLATION, BACKFILL AND RESTORATION OF ALL WATERMANS BY THE CONTRACTOR. CONNECTIONS AND SHUT-OFFS AT THE MAIN AND CHLORINATION OF THE WATER SYSTEM SHALL BE PERFORMED BY CITY OFFICIALS.
- WATERMAIN SHALL BE MINIMUM 2.4m DEPTH BELOW GRADE UNLESS OTHERWISE INDICATED.
- PROVIDE MINIMUM 0.25m CLEARANCE BETWEEN OUTSIDE OF PIPES AT ALL CROSSINGS.
- WATER SERVICE IS TO BE CONSTRUCTED TO WITHIN 1.0m OF FOUNDATION WALL AND CAPPED, UNLESS OTHERWISE INDICATED.

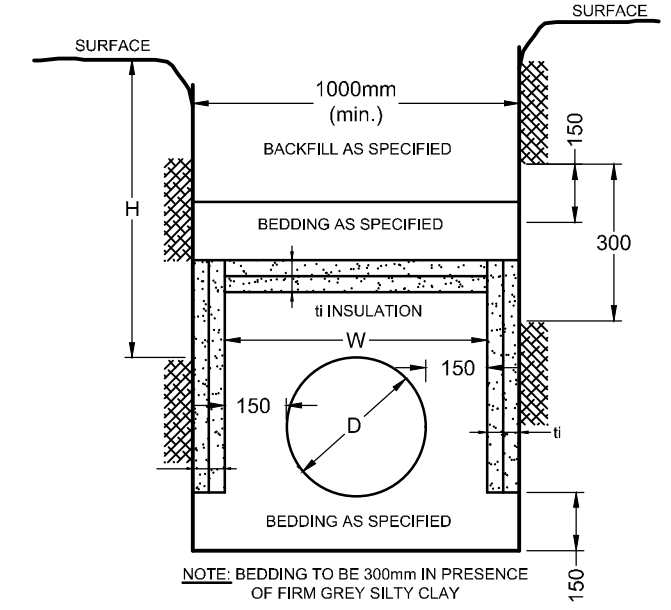
SWM TANK NOTES:

- THE MINIMUM INTERNAL SIZE OF THE STORMWATER MANAGEMENT TANK IS TO BE 380m³. REFER TO THE CROSS SECTION DETAIL AND THE ARCHITECT'S DRAWINGS FOR TANK DIMENSIONS, CONFIGURATION, MATERIALS AND WATERPROOFING DETAILS.
- THE ACCESS HATCHES ARE TO OPERATE AS THE EMERGENCY OVERFLOW FOR THE SWM TANK. PROVIDE THE FRAME AND COVERS PER CITY OF OTTAWA DETAILS S25 & S28.1 RESPECTIVELY.
- PROVIDE CIRCULAR HOLLOW ALUMINIUM MAINTENANCE HOLE STEPS ALONG TANK WALLS AT THE ACCESS HATCHES PER OPSS 405.010.

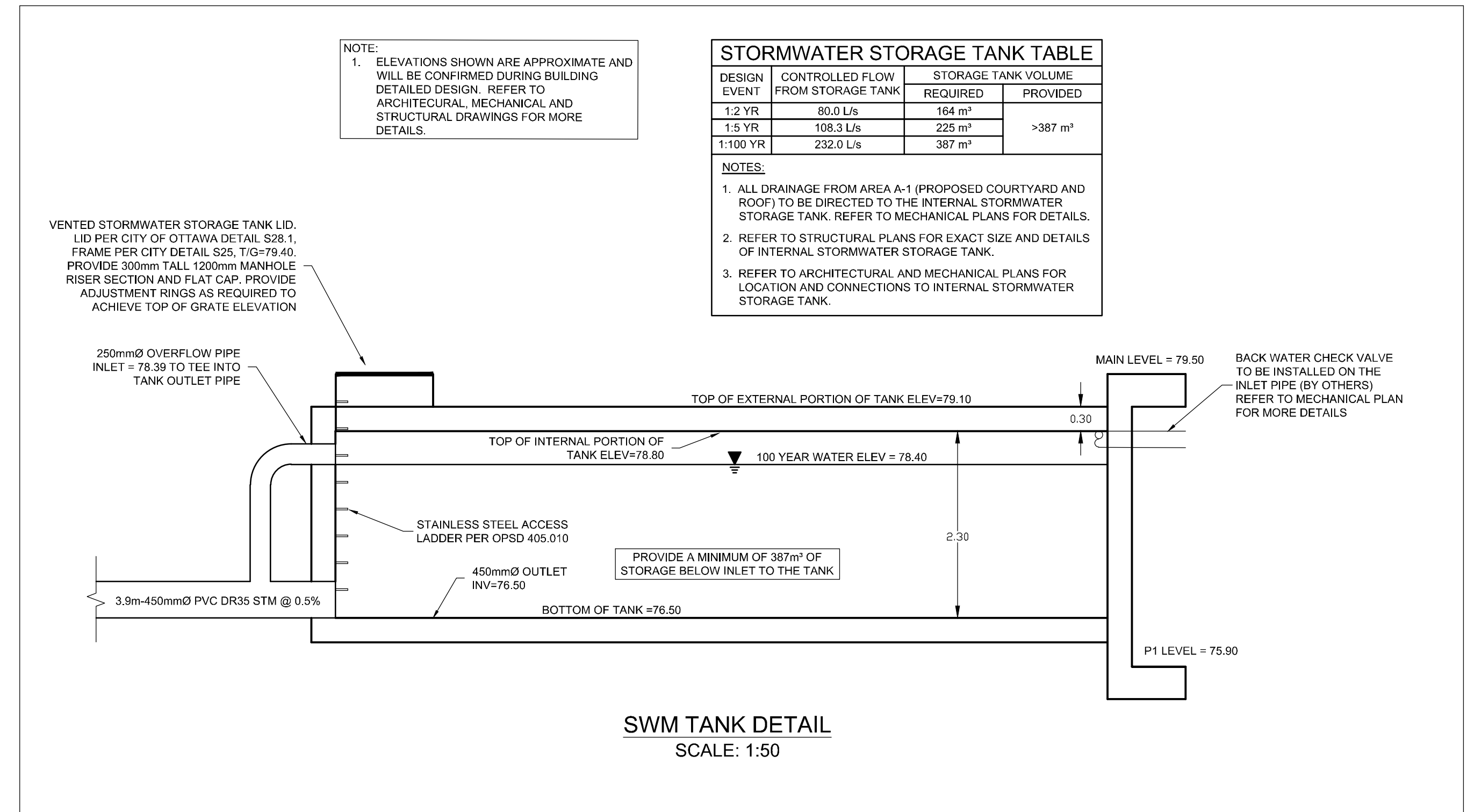
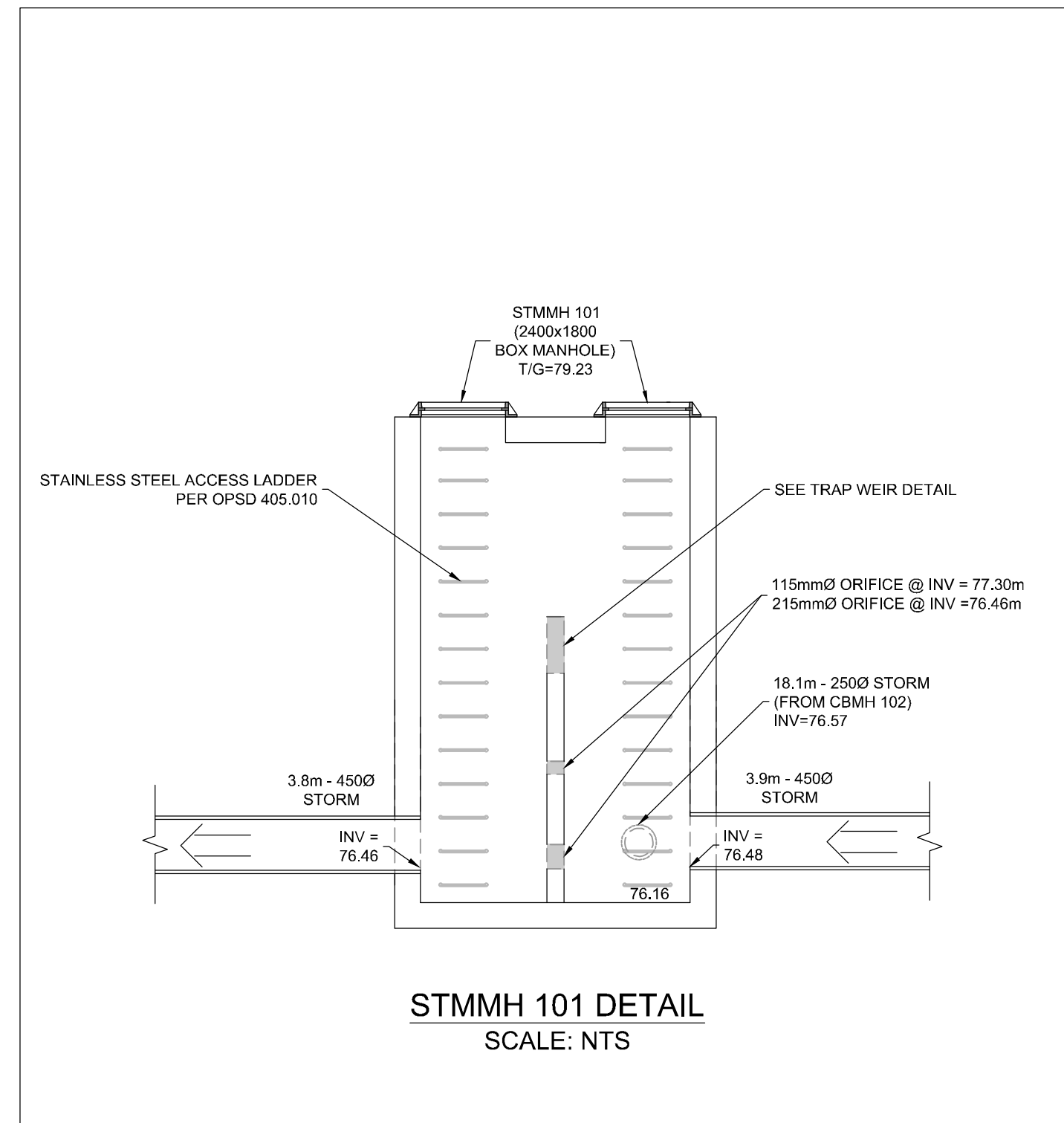
SEWER & WATERMAIN INSULATION NOTES:

- INSULATE ALL SEWER PIPES THAT HAVE LESS THAN 2.0m COVER AND ALL WATERMAIN WITH LESS THAN 2.4m OF COVER WITH EXPANDED POLYSTYRENE INSULATION AS PER OPSS 1109.030.
 - THE THICKNESS OF INSULATION SHALL BE THE EQUIVALENT OF 25mm FOR EVERY 300mm REDUCTION IN THE REQUIRED DEPTH OF COVER WITH 50mm MINIMUM (SEE TABLE)
- T = THICKNESS OF INSULATION (mm)
 W = WIDTH OF INSULATION (mm)
 W = D + 300 (1000 min.)
 D = O.D. OF PIPE (mm)

COVER SEWER / WATER (mm)	INSULATION THICKNESS (mm)
2000-1700 / 2400-2100	50
1700-1400 / 2100-1800	75
1400-1100 / 1800-1500	100



INSULATION DETAIL FOR SHALLOW SEWERS & WATERMAIN
N.T.S.



NOT FOR CONSTRUCTION

No.	REVISION	DATE	BY
1.3	REVISED PER CITY COMMENTS	DEC 22/23	CJR
1.2	REVISED PER CITY COMMENTS	DEC 14/23	CJR
1.1	RE-ISSUED FOR SITE PLAN	AUG 4/23	CJR
1.0	ISSUED FOR SITE PLAN	MAR 29/23	CJR

SCALE	DESIGN	CHECKED	DRAWN	CHECKED	APPROVED
AS NOTED	SM	CJR	SM	CJR	JLS

FOR REVIEW ONLY

PROFESSIONAL ENGINEER
 C.J. RODDLE
 DEC 22/23
 PROVINCE OF ONTARIO

NOVATECH
 Engineers, Planners & Landscape Architects
 Suite 200, 240 Michael Cowpland Drive
 Ottawa, Ontario, Canada K2M 1P6
 Telephone (613) 254-9643
 Facsimile (613) 254-5867
 Website www.novatech-eng.com

LOCATION
 CITY OF OTTAWA
 910 MARCH ROAD

DRAWING NAME
NOTES AND DETAILS PLAN

PROJECT No. 121186
 REV # 1.3
 DRAWING No. 121186-ND

M:\2023\121186\CD\DWG\121186-ND.dwg, DTL-24186, Dec-21, 2023, 5:46pm, jgenes