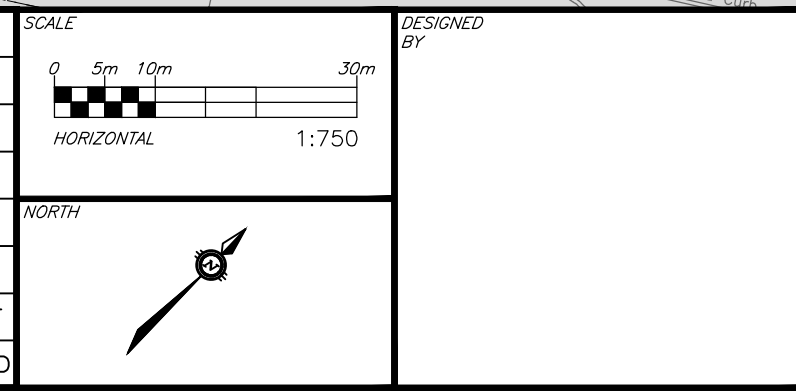


CAUTION
 THE POSITION OF ALL POLE LINES, CONDUITS, WATERMANS, SEWERS AND OTHER UNDERGROUND AND OVERGROUND UTILITIES AND STRUCTURES IS NOT NECESSARILY SHOWN ON THE CONTRACT DRAWINGS, AND WHERE SHOWN, THE ACCURACY OF THE POSITION OF SUCH UTILITIES AND STRUCTURES IS NOT GUARANTEED. BEFORE STARTING WORK, DETERMINE THE EXACT LOCATION OF ALL SUCH UTILITIES AND STRUCTURES AND ASSUME ALL LIABILITY FOR DAMAGE TO THEM.

PRELIMINARY
 NOT FOR CONSTRUCTION

REV	REVISION DESCRIPTION	DATE	BY	APPD
1	SUBMISSION NO.1	24/07/20	SK	BMT



DESIGNED BY: [Blank]
 REVIEWED BY: [Blank]

CLIENT: **11654128 CANADA INC.**
 768 BOULEVARD ST. JOSEPH
 GATINEAU, QC

exp. Services Inc.
 1-813-888-1890 | +1-813-225-7330
 302 Commercial Drive, Unit 100
 Ottawa, ON K2B 6H6
 Canada
 www.exp.com

• BUILDINGS • EARTH & ENVIRONMENT • ENERGY •
 • INDUSTRIAL • INFRASTRUCTURE • SUSTAINABILITY •

BASE PLAN	SK
DESIGN	JLF
CHECKED	BMT
CAD	SK
PROJECT MANAGER	JLF
APPROVED	BMT

PROJECT: **6171 HAZELDEAN ROAD**
 OTTAWA, ONTARIO.

TITLE: **MACRO GRADING PLAN**

PROJECT NO.	258780
SURVEY	Z38800-FMW
DATE	24/07/20
DRAWING NO.	GPM

File: \\exp\projects\11654128\11654128_01.dwg
 User: sk
 Date: 24/07/2020 10:29:44 AM
 Plot: 24/07/2020 10:29:44 AM
 Plotter: HP DesignJet T1100
 Reference: K:\projects\11654128\11654128.dwg
 _ref=ITL.dwg
 _ref=SP.dwg
 _ref=FM.dwg
 _ref=BASE.dwg
 _ref=PIPES.dwg
 Text: Note: Plotting: sent to EXP_2020-07-27.dwg