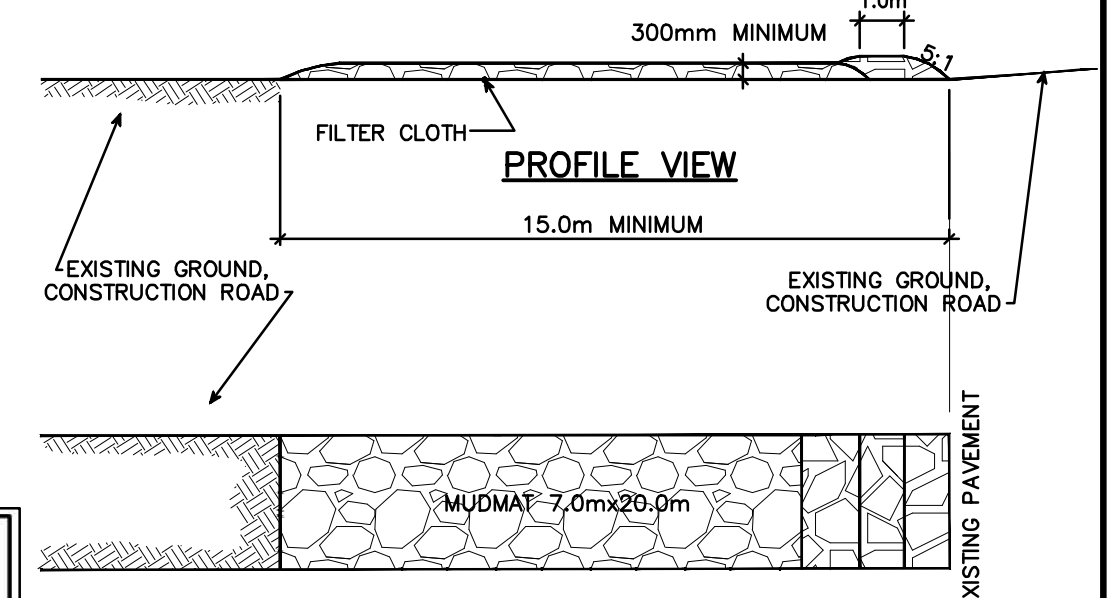
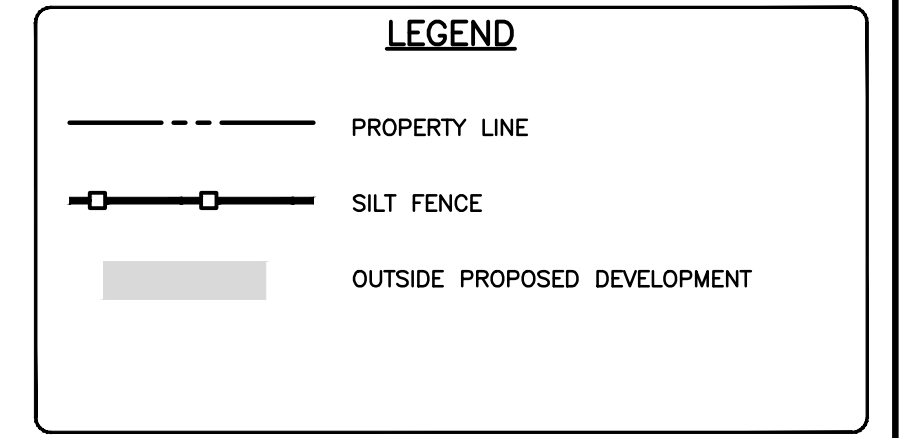
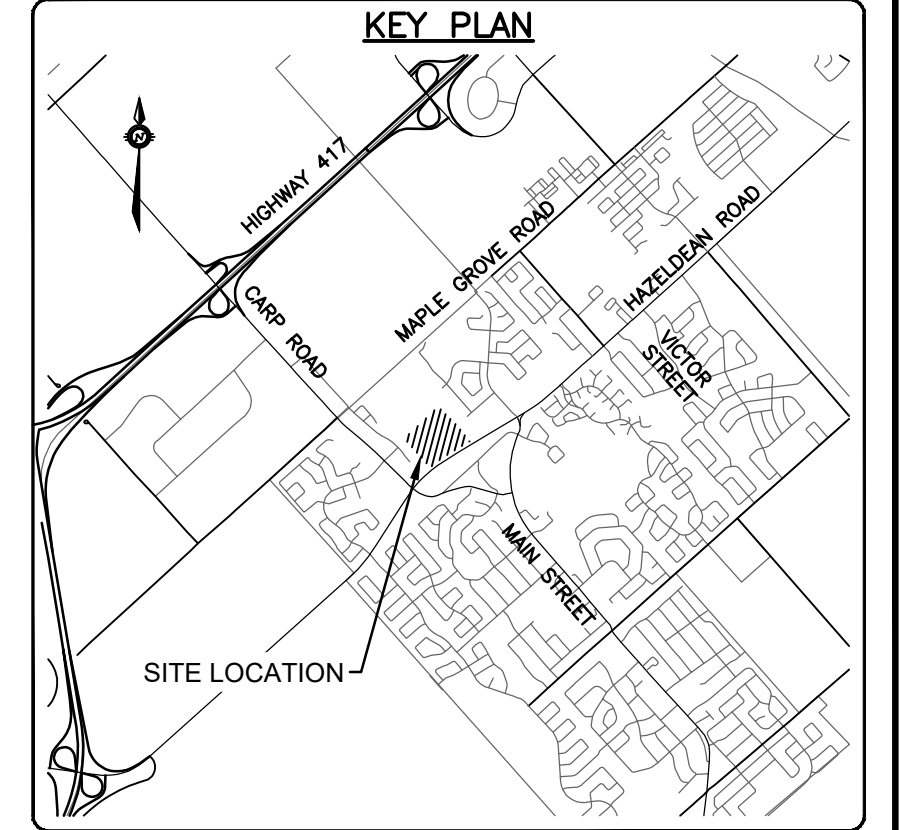


**EROSION AND SEDIMENT CONTROLS DURING CONSTRUCTION.**

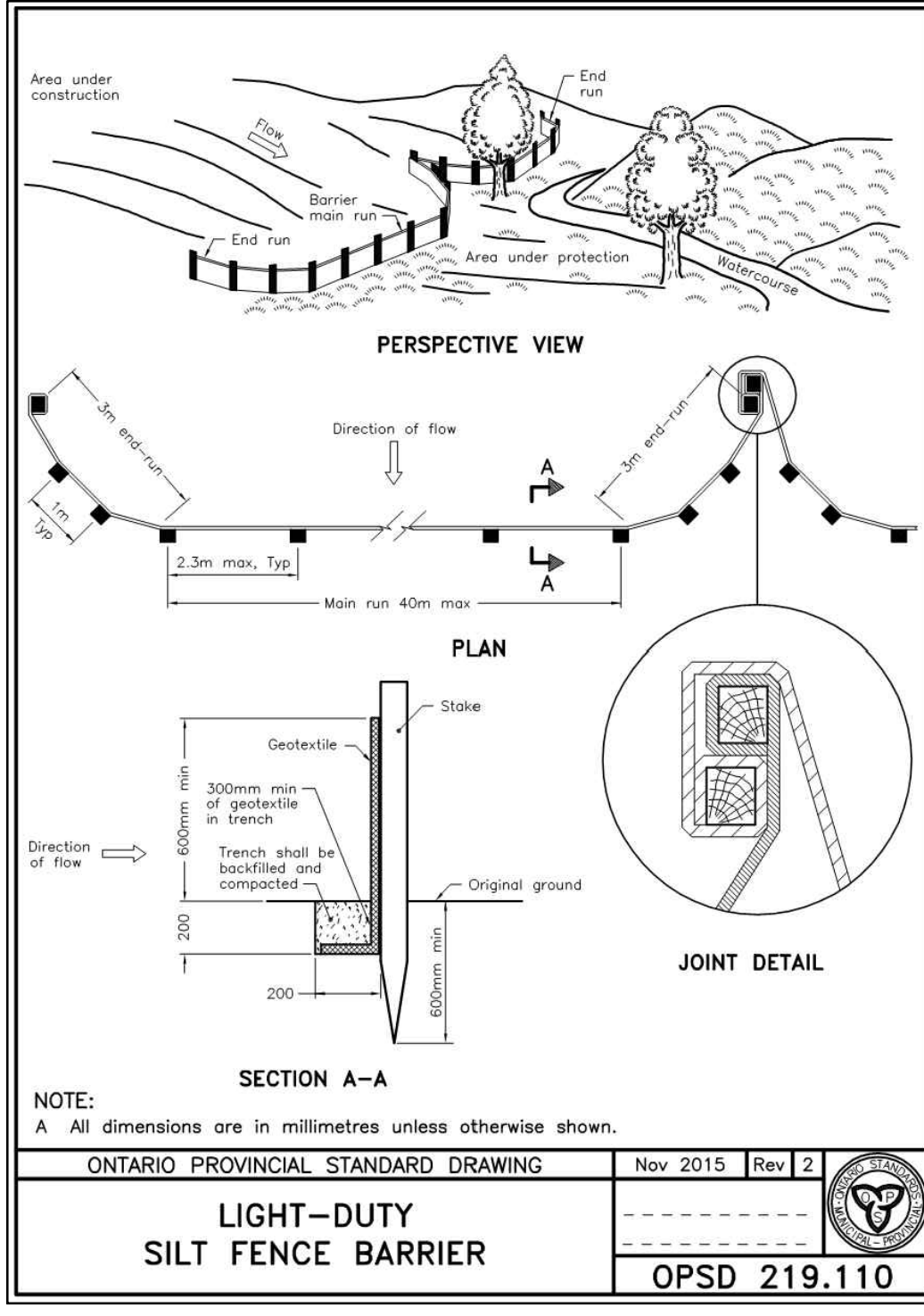
- DURING ALL CONSTRUCTION ACTIVITIES, EROSION AND SEDIMENTATION SHALL BE CONTROLLED BY THE FOLLOWING TECHNIQUES:
1. LIMITING THE EXTENT OF EXPOSED SOILS AT ANY GIVEN TIME.
  2. REVEGETATION OF EXPOSED AREAS AS SOON AS POSSIBLE.
  3. MINIMIZATION OF AREA TO BE CLEARED AND DISRUPTION TO ADJACENT AREAS.
  4. INSTALLATION OF FILTER BAG BETWEEN FRAME AND COVER ON ALL EXISTING AND PROPOSED CATCH BASINS AND CATCH BASIN MANHOLES.
  5. A SILT FENCE TO BE INSTALLED 0.3m INSIDE THE SITE PROPERTY LINE TO LOCATIONS SHOWN ON THIS DRAWING. SILT FENCING TO BE INSTALLED PRIOR TO COMMENCING EARTHWORKS.
  6. A VISUAL INSPECTION SHALL BE COMPLETED DAILY ON SEDIMENT CONTROL BARRIERS AND ANY DAMAGE REPAIRED IMMEDIATELY. CARE WILL BE TAKEN TO PREVENT DAMAGE DURING CONSTRUCTION OPERATIONS.
  7. IN SOME CASES SOME BARRIERS MAY BE REMOVED TEMPORARILY TO ACCOMMODATE THE CONSTRUCTION OPERATIONS. THE AFFECTED BARRIERS WILL BE REINSTITATED AT NIGHT WHEN CONSTRUCTION IS COMPLETED.
  8. THE SEDIMENT CONTROL DEVICES WILL BE CLEANED OF ACCUMULATED SILT AS REQUIRED. THE DEPOSITS WILL BE DISPOSED OF AS PER THE REQUIREMENTS OF THE CONTRACT.
  9. DURING THE COURSE OF CONSTRUCTION IF THE ENGINEER BELIEVES THAT ADDITIONAL PREVENTION METHODS ARE REQUIRED TO CONTROL EROSION AND SEDIMENTATION, THE CONTRACTOR WILL INSTALL ADDITIONAL SILT FENCES OR OTHER METHODS AS REQUIRED TO THE SATISFACTION OF THE ENGINEER.
  10. CONSTRUCTION AND MAINTENANCE REQUIREMENTS FOR EROSION AND SEDIMENT CONTROLS TO COMPLY WITH ONTARIO PROVINCIAL STANDARD SPECIFICATION (OPSS) OPSS 805, AND CITY OF OTTAWA SPECIFICATIONS.
  11. SEDIMENT AND EROSION CONTROL MEASURES MAY BE MODIFIED IN THE FIELD AT THE DISCRETION OF THE CITY OF OTTAWA SITE INSPECTOR OR CONSERVATION AUTHORITY.
  12. FILTER BAGS IN ROADWAY CATCHBASINS TO REMAIN UNTIL BASE COURSE ASPHALT IS PLACED. FILTER BAGS IN REAR YARD CATCHBASINS TO REMAIN UNTIL SOD IS PLACED.

**NOTE: CBE & CBT**

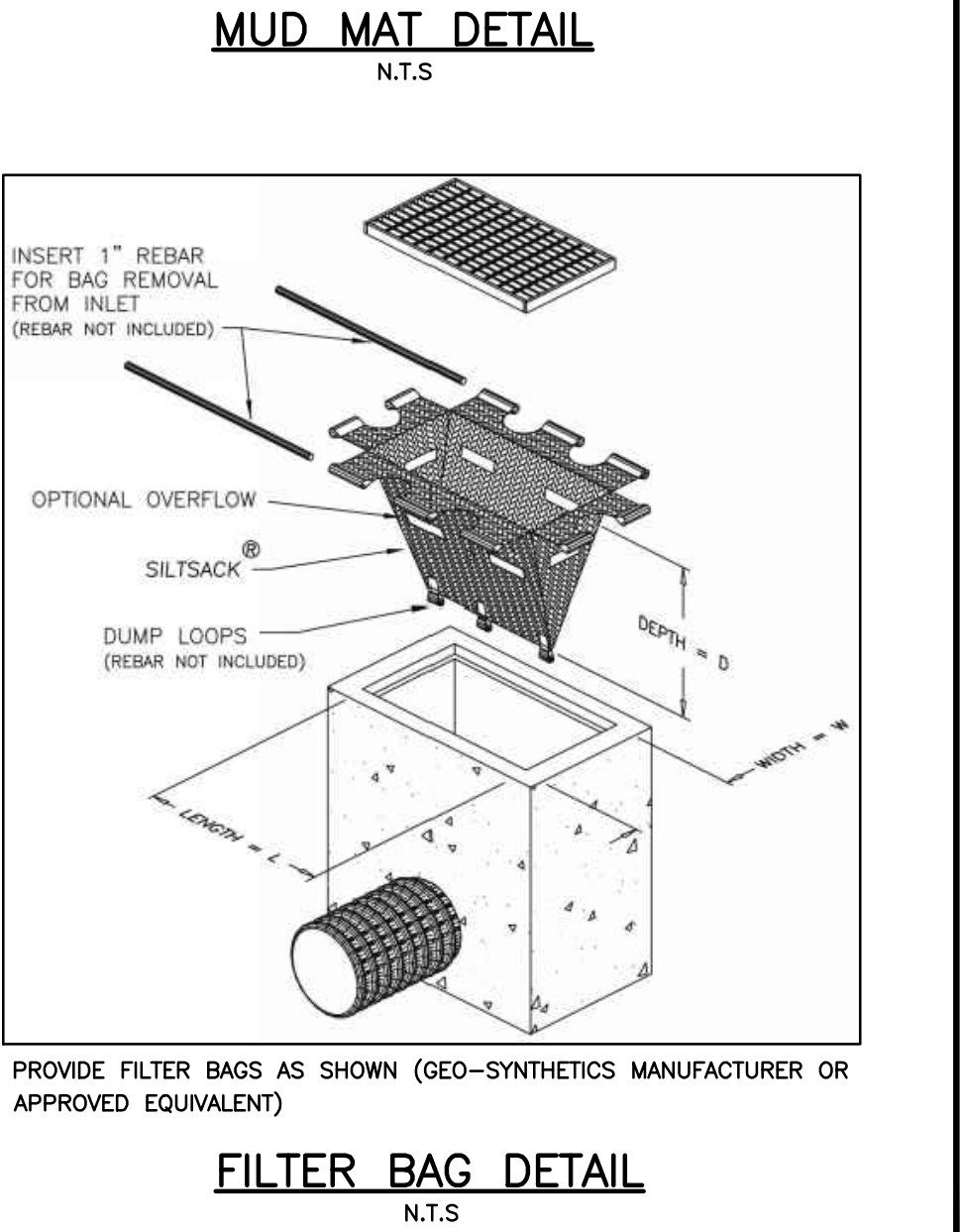
1. STRUCTURE TO BE LEFT AT 0.5m ABOVE GRADE AND PROTECTED WITH FILTER CLOTH COVERING AND CUT DOWN TO FINAL GRADE, DURING FINAL GRADE AND SODDING.



- NOTES:**
1. STONE - USE CLEAR CRUSHED 100mm STONE.
  2. LENGTH - AS REQUIRED BUT NOT LESS THAN 15.0m.
  3. THICKNESS - NOT LESS THAN 300mm.
  4. WIDTH - 7.0m MINIMUM, NOT LESS THAN THE WIDTH AT POINTS WHERE INGRESS OR EGRESS OCCURS.
  5. FILTER CLOTH - WILL BE PLACED OVER THE ENTIRE AREA PRIOR TO PLACING STONE.
  6. MAINTENANCE - THE ENTRANCE SHALL BE MAINTAINED IN A CONDITION WHICH WILL PREVENT TRACKING OR FLOWING OF SEDIMENT ONTO PUBLIC RIGHT-OF-WAY. THIS MAY REQUIRE PERIODIC TOP DRESSING WITH ADDITIONAL STONE AS CONDITIONS DEMAND AND REPAIR AND/OR CLEAN OUT OF ANY MEASURES USED TO TRAP SEDIMENT. ALL SEDIMENT SPILLED, DROPPED OR TRACKED ONTO THE PUBLIC RIGHT-OF-WAY MUST BE REMOVED IMMEDIATELY.
  7. PERIODIC INSPECTION AND NEEDED MAINTENANCE SHALL BE PROVIDED AFTER EACH RAIN.



- NOTES:**
1. WOVEN WIRE FENCE TO BE FASTENED SECURELY TO WOOD POSTS WITH WIRE TIES OR STAPLES.
  2. POSTS TO BE SPACED AT 2.3 METRES CENTRE TO CENTRE.
  3. WHEN TWO SECTIONS OF FILTER CLOTH ADJOIN EACH OTHER THEY SHALL BE OVERLAPPED BY A MINIMUM OF 500mm.
  4. MAINTENANCE SHALL BE PERFORMED AS NEEDED AND MATERIAL REMOVED WHEN "BULGES" DEVELOP IN THE SILT FENCE.
  5. WOOD POSTS TO BE HARDWOOD TYPE (50mm x 50mm).
  6. GEOTEXTILE TO BE EMBEDDED 200mm INTO GROUND.
  7. GEOTEXTILE TO CONFORM TO OPSS 805 STANDARDS.
  8. SILT FENCE MUST BE INSTALLED BEFORE COMMENCEMENT OF CONSTRUCTION AND IN ACCORDANCE WITH DETAIL. SILT FENCE CAN BE REMOVED AFTER LANDSCAPING IS COMPLETE.
  9. SEDIMENTS MUST BE CLEARED AWAY WHEN THEY REACH HALF THE HEIGHT OF THE FENCE.



**CAUTION**  
THE POSITION OF ALL POLE LINES, CONDUITS, WATERMANS, SEWERS AND OTHER UNDERGROUND AND OVERGROUND UTILITIES AND STRUCTURES IS NOT NECESSARILY SHOWN ON THE CONTRACT DRAWINGS, AND WHERE SHOWN, THE ACCURACY OF THE POSITION OF SUCH UTILITIES AND STRUCTURES IS NOT GUARANTEED. BEFORE STARTING WORK, DETERMINE THE EXACT LOCATION OF ALL SUCH UTILITIES AND STRUCTURES AND ASSUME ALL LIABILITY FOR DAMAGE TO THEM.

**JOB BENCH MARK** JBM ▲  
TOP OF HEAD OF MAGNETIC NAIL SET IN SIDE OF CONCRETE SIGN  
BASE 0.2± ABOVE GRADE ELEVATION=120.77  
NORTHING=5014575.29 EASTING=349007.23

**TOPOGRAPHIC INFORMATION**  
PART OF LOT 12, CONCESSION 12, GEOGRAPHIC TOWNSHIP OF GOULBOURN, CITY OF OTTAWA.  
TOPOGRAPHIC INFORMATION PROVIDED BY FAIRHALL MOFFATT & WOODLAND LIMITED O.L.S (P3882) SURVEY DATED JANUARY 14, 2020.  
SITE GRID SYSTEM NTM NAD 83, ZONE 9.

REV	REVISION DESCRIPTION	DATE	BY	APPD
4	REVISED AS PER CITY COMMENTS	14/10/22	AC	BMT
3	ISSUED FOR APPROVAL	12/05/22	SK	BMT
2	SUBMISSION NO.2	27/04/21	SK	BMT
1	SUBMISSION NO.1	08/04/20	SK	BMT

SCALE: 1:750  
DESIGNED BY: J.L. FITZPATRICK  
PROVINCE OF ONTARIO  
REVIEWED BY: B.M. THOMAS  
PROVINCE OF ONTARIO

OWNER: LATITUDE HOMES  
1202 CARP ROAD  
STITTSVILLE, ON. K2S 1B9

exp. Inc.  
1-813-888-1899 | +1-613-225-7330  
1000 Wellington Street, Unit 100  
Ottawa, ON K2B 8H6  
Canada  
www.exp.com

BASEPLAN: SK  
DESIGN: JLF  
CHECKED: BMT  
CAD: SK  
PROJECT MANAGER: JLF  
APPROVED: BMT

PROJECT: HAZELDEAN HORIZONS  
6171 HAZELDEAN ROAD  
OTTAWA, ONTARIO.

PROJECT No. 258780  
SURVEY: 238800-FMW  
DATE: 24/07/20

EROSION AND SEDIMENT CONTROL PLAN  
C600