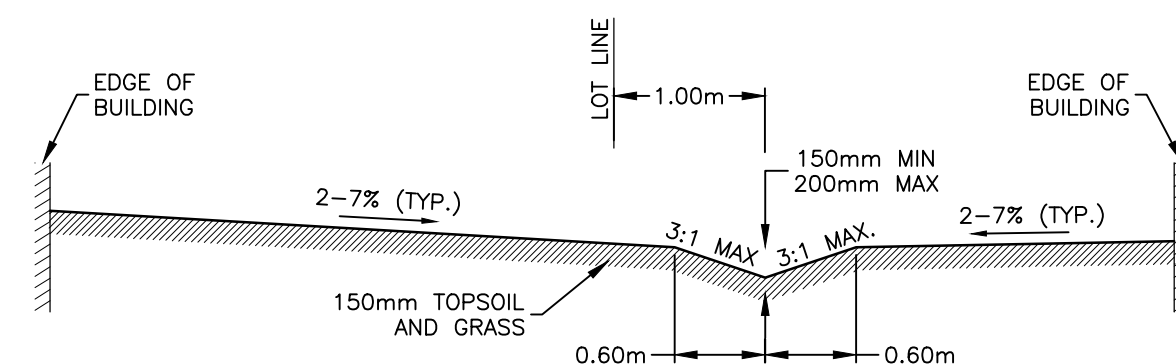
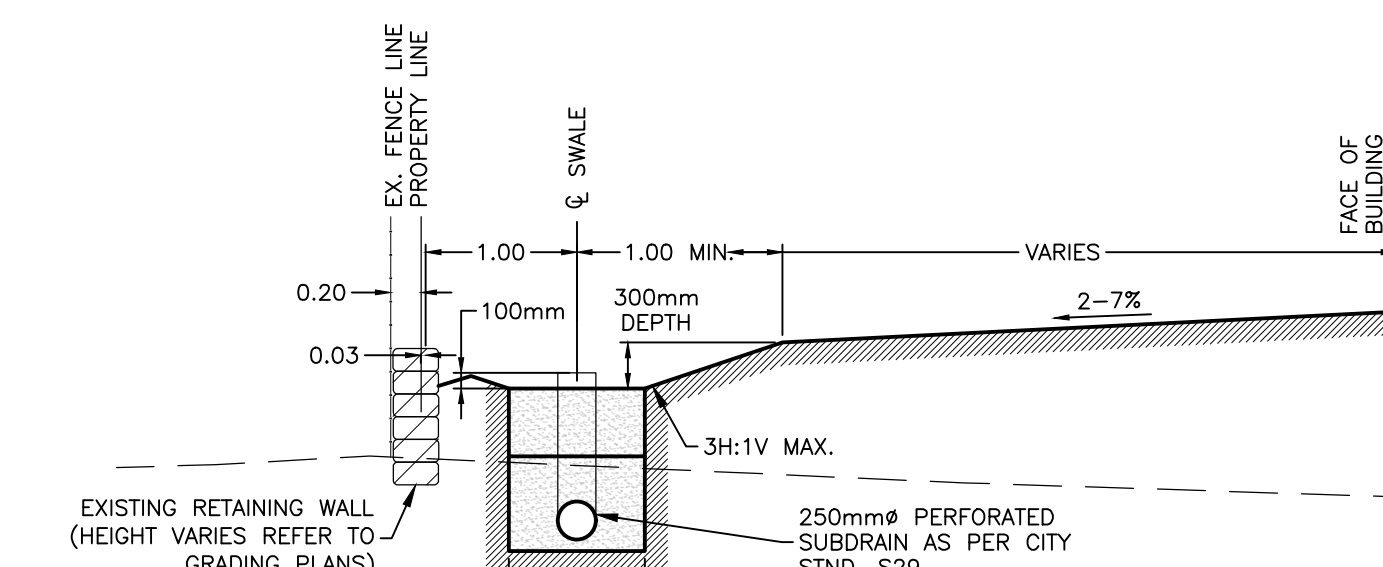


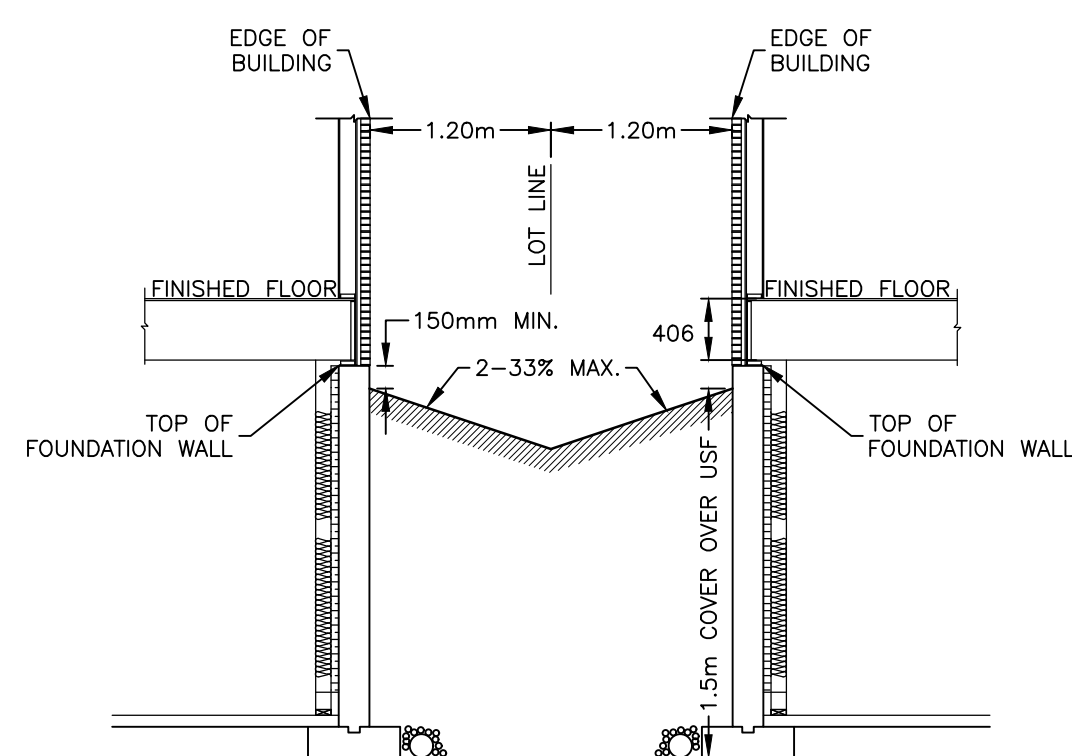
1 TYPICAL PATHWAY BLOCK
 SCALE: 1:50
 HORIZONTAL 1:50



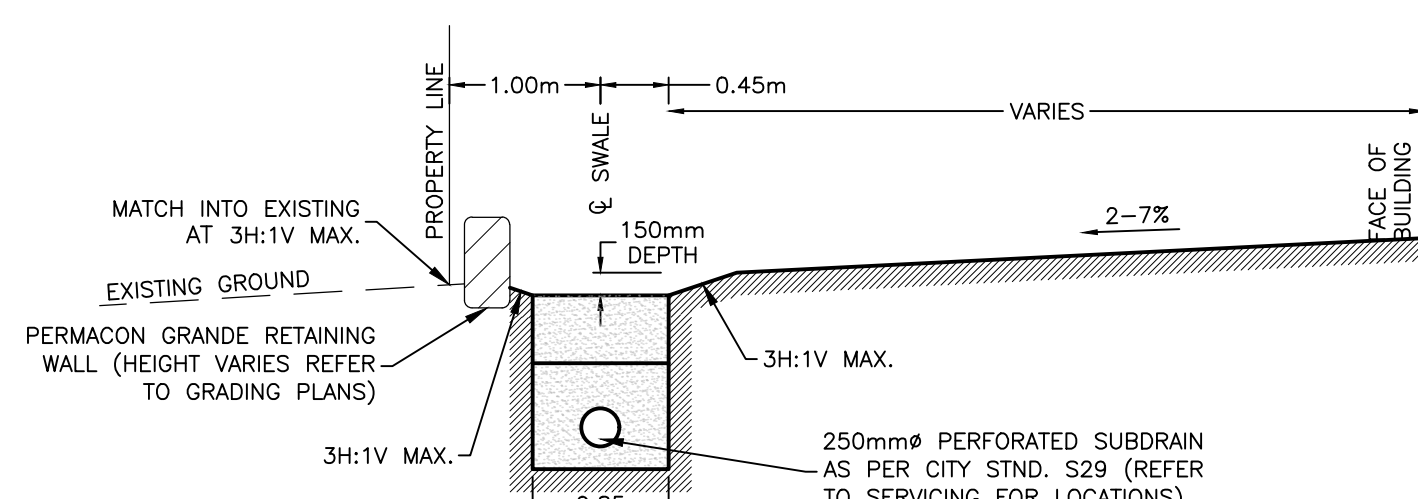
4 TYPICAL REAR YARD SECTION
 SCALE: 1:50
 HORIZONTAL 1:50



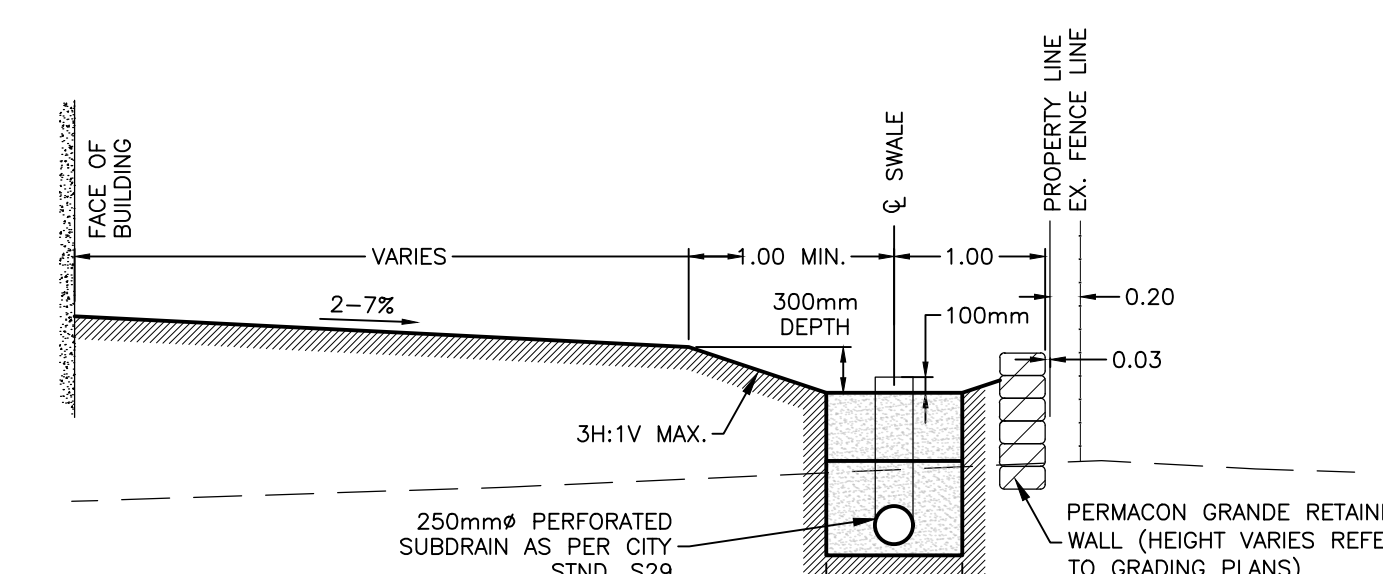
7 TYPICAL REAR YARD SECTION
 NORTH PROPERTY LINE c/w RETAINING WALL
 SCALE: 1:50
 HORIZONTAL 1:50



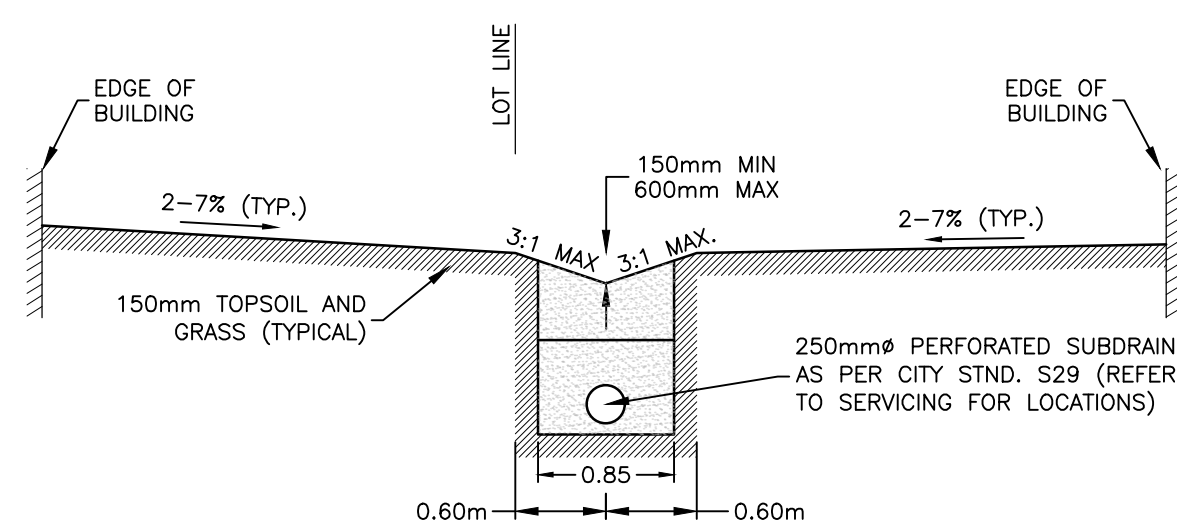
2 TYPICAL SIDE YARD SECTION
 SCALE: 1:50
 HORIZONTAL 1:50



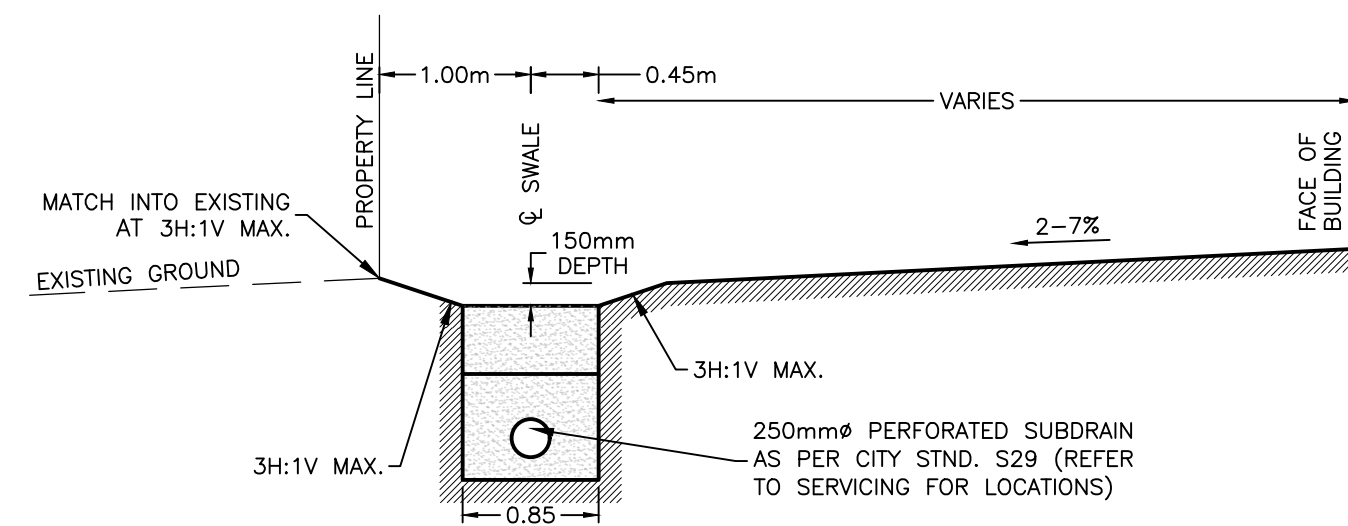
5 TYPICAL REAR YARD SECTION
 WEST PROPERTY LINE c/w RETAINING WALL
 SCALE: 1:50
 HORIZONTAL 1:50



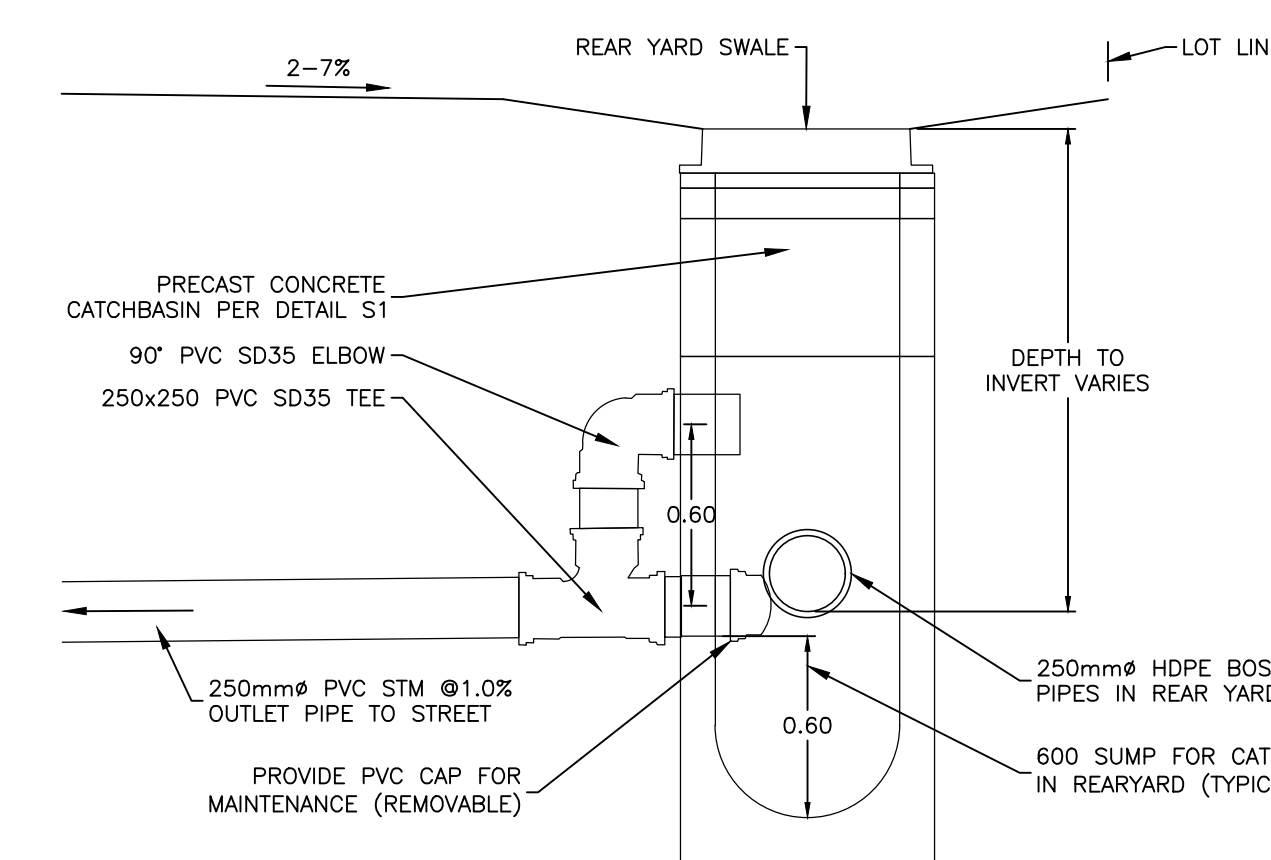
8 TYPICAL REAR YARD SECTION
 EAST PROPERTY LINE c/w RETAINING WALL
 SCALE: 1:50
 HORIZONTAL 1:50



3 TYPICAL REAR YARD SECTION
 c/w INFILTRATION TRENCH SUBDRAIN
 SCALE: 1:50
 HORIZONTAL 1:50



6 TYPICAL REAR YARD SECTION
 WEST PROPERTY LINE c/w INFILTRATION TRENCH
 SCALE: 1:50
 HORIZONTAL 1:50



REAR YARD CATCHBASIN DETAIL
 SCALE: 1:25
 HORIZONTAL 1:25

CAUTION
 THE POSITION OF ALL POLE LINES, CONDUITS, WATERMANS, SEWERS AND OTHER UNDERGROUND AND OVERGROUND UTILITIES AND STRUCTURES IS NOT NECESSARILY SHOWN ON THE CONTRACT DRAWINGS, AND WHERE SHOWN, THE ACCURACY OF THE POSITION OF SUCH UTILITIES AND STRUCTURES IS NOT GUARANTEED. BEFORE STARTING WORK, DETERMINE THE EXACT LOCATION OF ALL SUCH UTILITIES AND STRUCTURES AND ASSUME ALL LIABILITY FOR DAMAGE TO THEM.

JOB BENCH MARK JBM ▲
 TOP OF HEAD OF MAGNETIC NAIL SET IN SIDE OF CONCRETE SIGN
 BASE 0.2± ABOVE GRADE ELEVATION=120.77
 NORTHING=5014575.29 EASTING=349007.23

TOPOGRAPHIC INFORMATION
 PART OF LOT 12, CONCESSION 12, GEOGRAPHIC TOWNSHIP OF GOULBOURN, CITY OF OTTAWA.
 TOPOGRAPHIC INFORMATION PROVIDED BY FAIRHALL MOFFATT & WOODLAND LIMITED O.L.S (TP3862) SURVEY DATED JANUARY 14, 2020.
 SITE GRID SYSTEM NAD 83, ZONE 9.

REV	REVISION DESCRIPTION	DATE	BY	APPD
2	REVISED AS PER CITY COMMENTS	14/10/22	AC	BMT
1	ISSUED FOR APPROVAL	12/05/22	SAB	BMT

DESIGNED BY: J.L. FITZPATRICK
 LICENSED PROFESSIONAL ENGINEER
 2022-10-18
 PROVINCE OF ONTARIO

REVIEWED BY: B.M. THOMAS
 LICENSED PROFESSIONAL ENGINEER
 2022-10-18
 PROVINCE OF ONTARIO

LATITUDE HOMES
 1202 CARP ROAD
 STITTSVILLE, ON. K2S 1B9

exp Services Inc.
 1-877-888-1889 | 1-613-225-7330
 1025 Steeles Avenue East, Unit 100
 Downsview, ON M3B 8H6
 Canada
 www.exp.com

• BUILDINGS • EARTH & ENVIRONMENT • ENERGY •
 • INDUSTRIAL • INFRASTRUCTURE • SUSTAINABILITY •

BASEPLAN	SK	PROJECT	HAZELDEAN HORIZONS	PROJECT No.
DESIGN	JLF	258780	6171 HAZELDEAN ROAD	258780
CHECKED	BMT	238800-FMW	OTTAWA, ONTARIO.	238800-FMW
CAD	SK	DATE		24/07/20
PROJECT MANAGER	JLF	DRAWING No.	DETAIL SHEET 2	C701
APPROVED	BMT		TYPICAL SECTIONS	

Drawings: V:\proj\2022\258780-000\exp\258780-000.dwg
 User: jlf
 Date: 2022-07-24 10:15:00 AM
 Plot: 258780-000.dwg
 Plot Date: 2022-07-24 10:15:00 AM
 Plotter: HP DesignJet T1144
 Plot Size: 36x48 inches
 Plot Scale: 1:1
 Plot Orientation: Landscape
 Plot Color: Black
 Plot Lineweight: 0.25
 Plot Linetype: Solid
 Plot Font: Arial, 10pt
 Plot Title: 258780-000.dwg