

28 April 2021 3:46 PM
W:\Projects\161614215\Topographic\Drawings\161614215-111-02_cpl.dwg



Stantec Geomatics Ltd.
400-1331 Clyde Avenue
Ottawa ON
Tel. 613.722.4420
www.stantec.com

TOPOGRAPHIC SKETCH OF PART OF LOTS A, B, C, & D REGISTERED PLAN 58 (GEOGRAPHIC TOWNSHIP OF NEPEAN)

CITY OF OTTAWA



Stantec Geomatics Ltd.
© Copyright 2021 Stantec Geomatics Ltd. The reproduction, alteration or use of this REPORT in whole or in part without the express permission of Stantec Geomatics Ltd. is STRICTLY PROHIBITED.

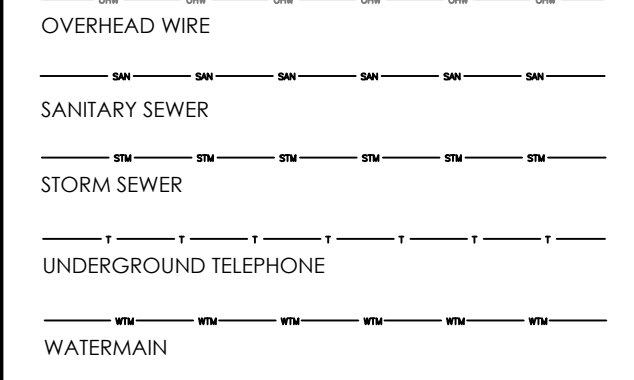
BOUNDARY NOTE
BOUNDARY LINEWORK AND INFORMATION IS COMPILED FROM REGISTERED PLAN 58 AND IS NOT BASED ON ACTUAL SURVEY.

VERTICAL DATUM NOTE
ELEVATIONS SHOWN HEREON ARE GEODETIC (CGVD-1928:1978) AND ARE DERIVED FROM THE CAN-NET VRS NETWORK MONUMENT: OTTAWA ELEVATION=95.230.

UTILITY NOTE
LOCATION OF UNDERGROUND SERVICES ARE APPROXIMATE AND PER THE CITY OF OTTAWA SHEETS, AND MUST BE VERIFIED PRIOR TO CONSTRUCTION.

LEGEND

■	DENOTES	FOUND MONUMENTS
□		SET MONUMENTS
IB		IRON BAR
IBØ		ROUND IRON BAR
SIB		STANDARD IRON BAR
SSIB		SHORT STANDARD IRON BAR
CC		CUT CROSS
CP		CONCRETE PIN
WIT		WITNESS
FIN		PROPERTY IDENTIFICATION NUMBER
M/MEAS		MEASURED
PROP		PROPORTIONED
OU		ORIGIN UNKNOWN
STANTEC		STANTEC GEOMATICS LTD.
BOL		BOLLARD
CB		CATCH BASIN
SICB		SIDE INLET CB
GSR		GAS SERVICE REGULATOR
GV		GAS VALVE
FHD		FIRE HYDRANT
MH		MAINTENANCE HOLE UNIDENTIFIED
MHB		MAINTENANCE HOLE BELL
MHH		MAINTENANCE HOLE HYDRO
MHSA		MAINTENANCE HOLE SANITARY
MHST		MAINTENANCE HOLE STORM
MHT		MAINTENANCE HOLE TRAFFIC
MW		PULL BOX
PLBX		SIGN
SN		TERMINAL BOX - CABLE
TB CATV		TRAFFIC SIGNAL LIGHT
TSL		UTILITY POLE
UP		UTILITY POLE
VB		VALVE BOX

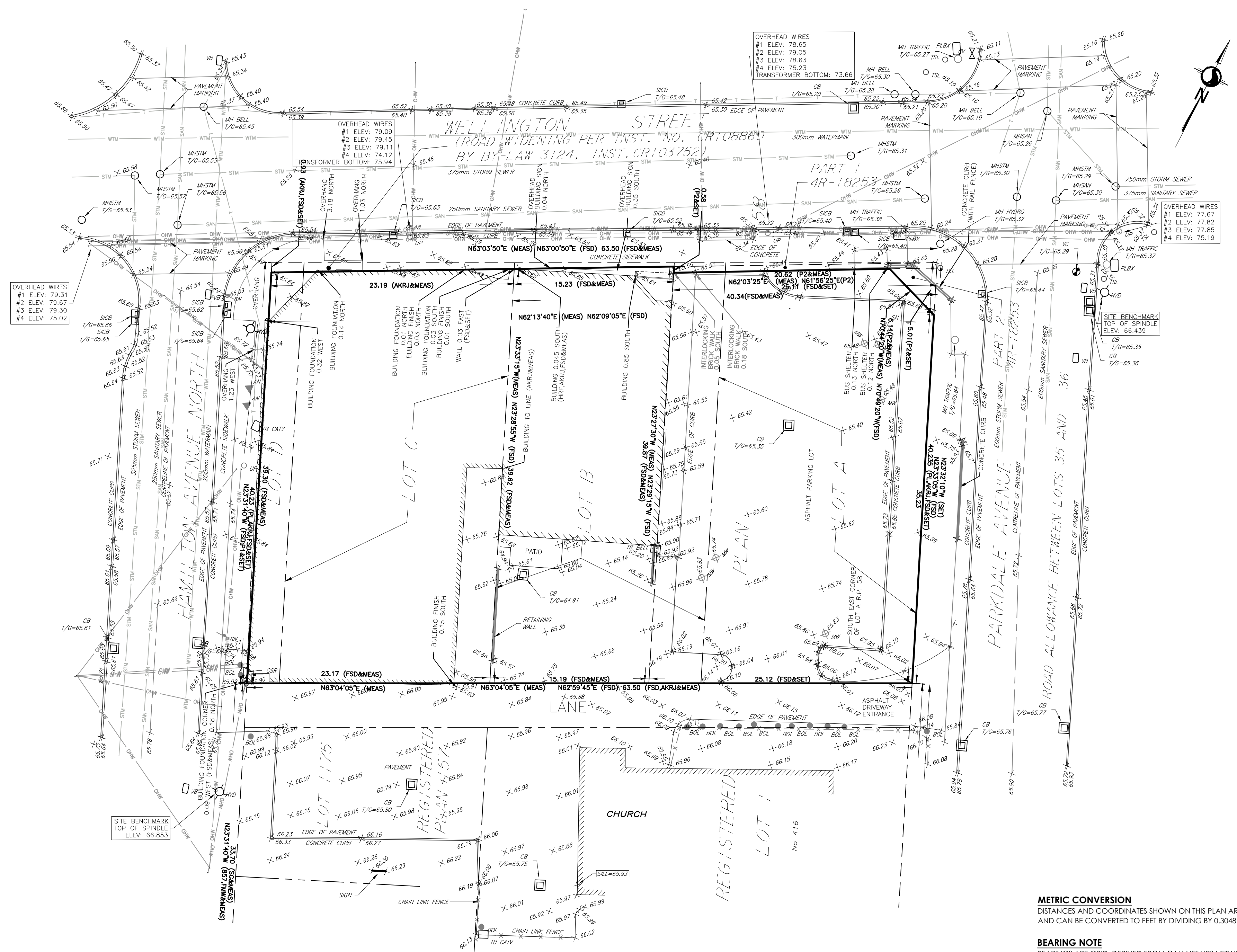


METRIC CONVERSION
DISTANCES AND COORDINATES SHOWN ON THIS PLAN ARE IN METRES AND CAN BE CONVERTED TO FEET BY DIVIDING BY 0.3048

BEARING NOTE
BEARINGS ARE GRID, DERIVED FROM CAN-NET VRS NETWORK GPS OBSERVATIONS ON NCC HORIZONTAL CONTROL MONUMENTS 1973035 AND 19680191, CENTRAL MERIDIAN, 76° 30' WEST LONGITUDE MTM ZONE 9, NAD83 (ORIGINAL).

19773035 N:5006060.42 E:324888.04
19680191 N:5033564.26 E:388064.94

ROTATION NOTE
A BEARING ROTATION OF 0°33'35" COUNTERCLOCKWISE WAS APPLIED TO FSD PLAN DATED JANUARY 14, 2002 & JULY 19, 2000.



SURVEYOR'S CERTIFICATE
I CERTIFY THAT:
1. THE SURVEY WAS COMPLETED ON THE 26th DAY OF APRIL, 2021.

DATE _____ FRANCIS LAU
ONTARIO LAND SURVEYOR

DRAWN: TMT CHECKED: CT PM: CT FIELD: AW PROJECT No.: 161614215-111