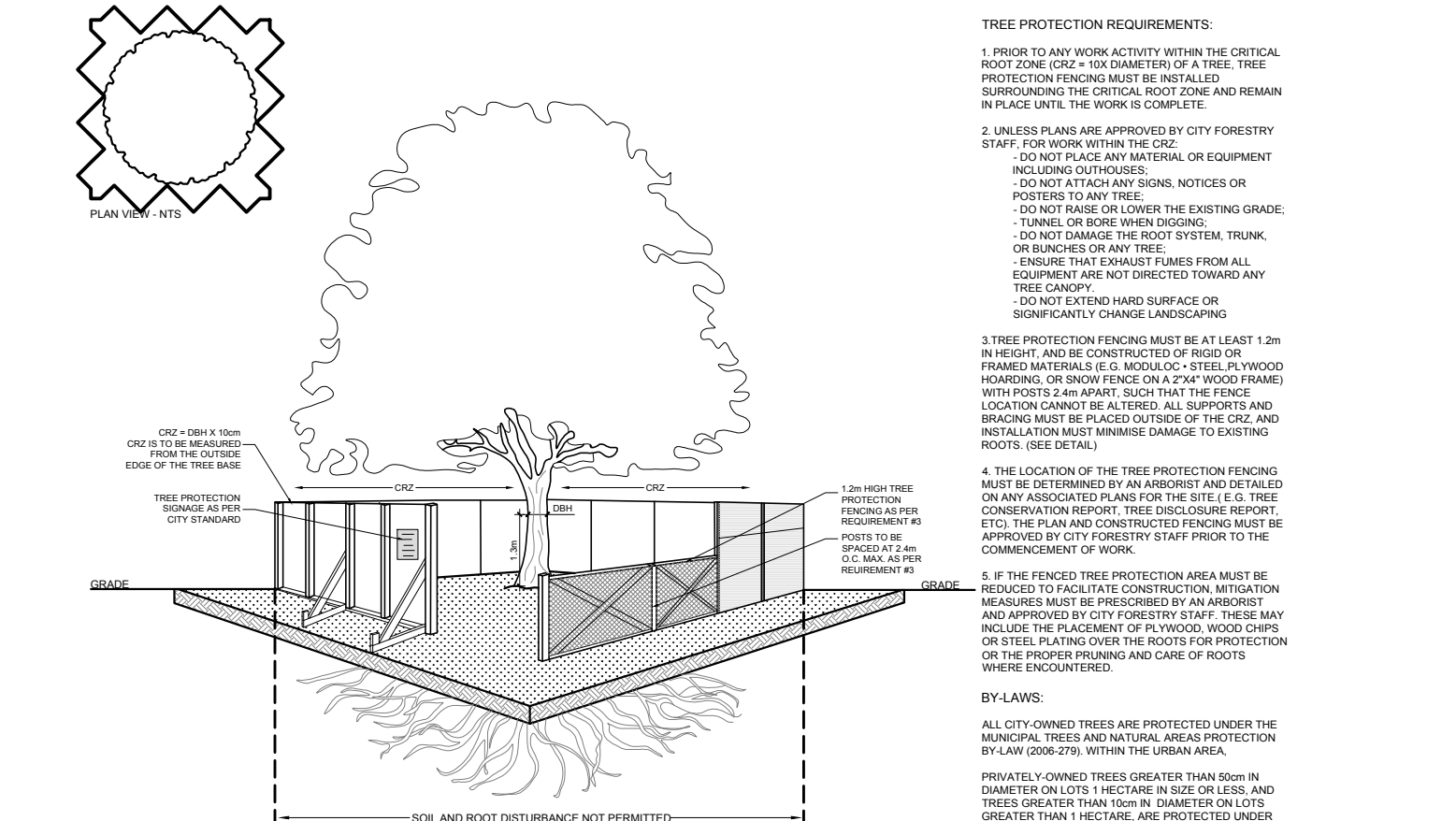


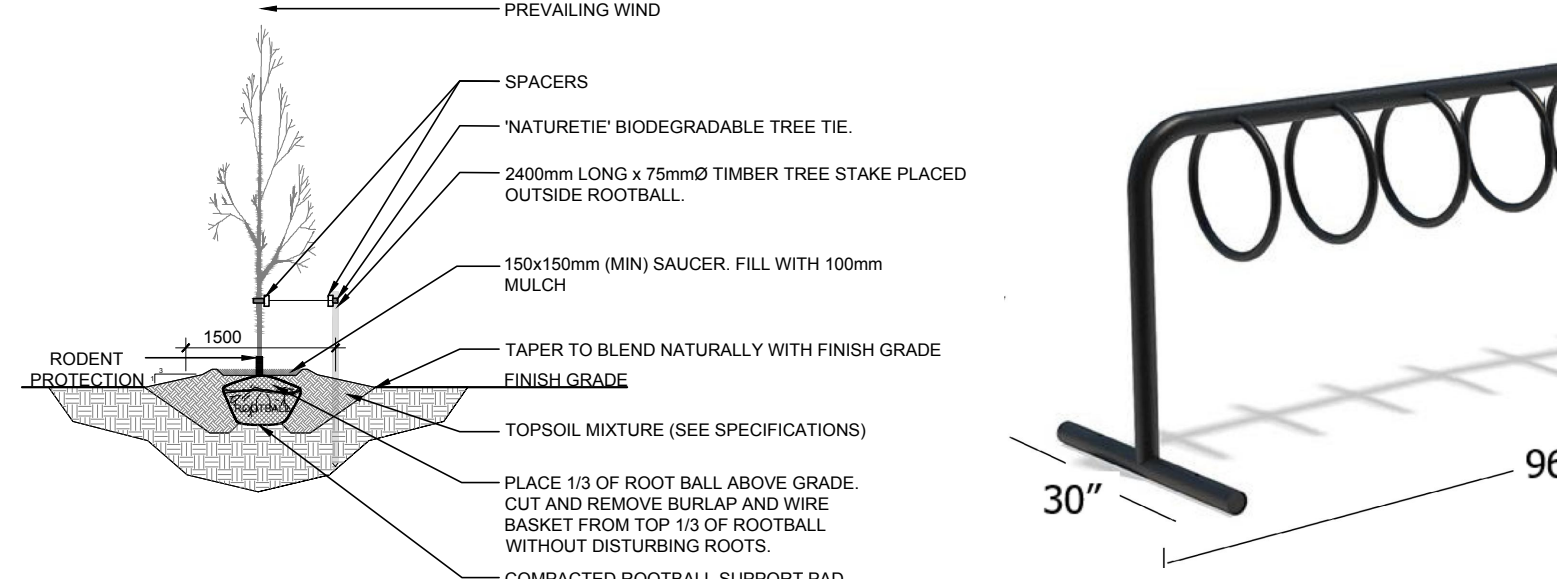
EXISTING TREE LIST						
KEY	QTY	BOTANICAL NAME	COMMON NAME	SIZE	CONDITION	REMARKS
AN	1	<i>Acer nigrum</i>	Black Maple	300mm dbh	Good	To remain
AP	2	<i>Acer platanoides 'Crimson King'</i>	Crimson King Norway Maple	380-430mm dbh	Good	To remain
AS1	1	<i>Acer saccharinum</i>	Silver Maple	280mm dbh	Fair-good	To be removed
AS2	2	<i>Acer saccharinum</i>	Silver Maple	400-850mm dbh	Fair-good	To remain
BP	1	<i>Betula papyrifera</i>	White Birch	2x250mm dbh	Good	To remain
PA	2	<i>Picea abies 'Cupressina'</i>	Columnar Norway Spruce	50mm dbh	Good	To remain

PROPOSED PLANT LIST						
KEY	QTY	BOTANICAL NAME	COMMON NAME	SIZE	CONDITION	REMARKS
AL	1	<i>Amelanchier laevis 'JFS-ARB'</i>	Spring Flurry Serviceberry	60mm cal.	B&B	Single Leader
RM	3	<i>Acer rubrum 'Red Rocket'</i>	Columnar Red Maple	60mm cal.	B&B	Single Leader
SB	1	<i>Amelanchier canadensis</i>	Serviceberry	60mm cal.	B&B	Single Leader

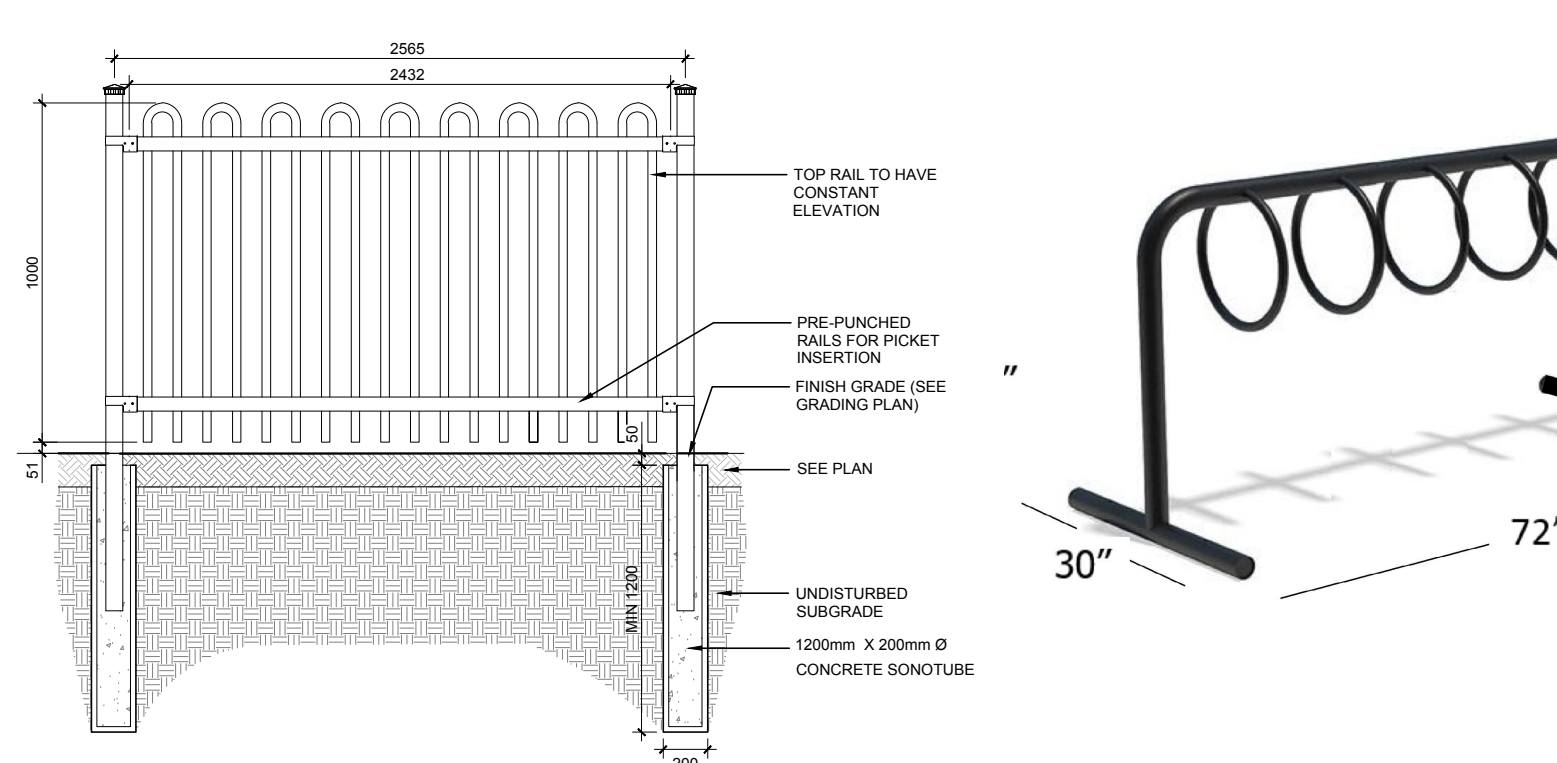
- GENERAL NOTES:**
- It is the responsibility of the appropriate contractor or official to report any errors, omissions or discrepancies on this plan with actual site conditions to the Landscape Architect before proceeding with construction.
 - The contractor is to notify all utility companies and authorities prior to any excavation and ascertain locations of underground services.
 - The contractor is to reinstaate all areas and items damaged as a result of construction activity.
 - The contractor is to comply with all pertinent codes and by-laws.
 - The contractor is to maintain a positive surface run-off throughout the entire construction period.
 - The Landscape Architect is not responsible for subsurface conditions.
 - The contractor is to identify all existing trees to remain on site with the Landscape Architect prior to construction.
 - The contractor is to stake the proposed location of all plant material in conjunction with the Landscape Architect prior to excavation.
 - Minimum distances for selected deciduous trees are as follows:
 - Building Foundations 7.5m
 - Public Streets 2.5m
 - Underground Infrastructure 2.0m
 - All trees within 1m of underground utility trenches are to be excavated by hand.
 - Remove all protective wrapping from tree trunks after installation.
 - Staking of trees shall only be performed if necessary.
 - Ensure that mulch is pulled back a min. distance of 75mm from base of tree trunk.



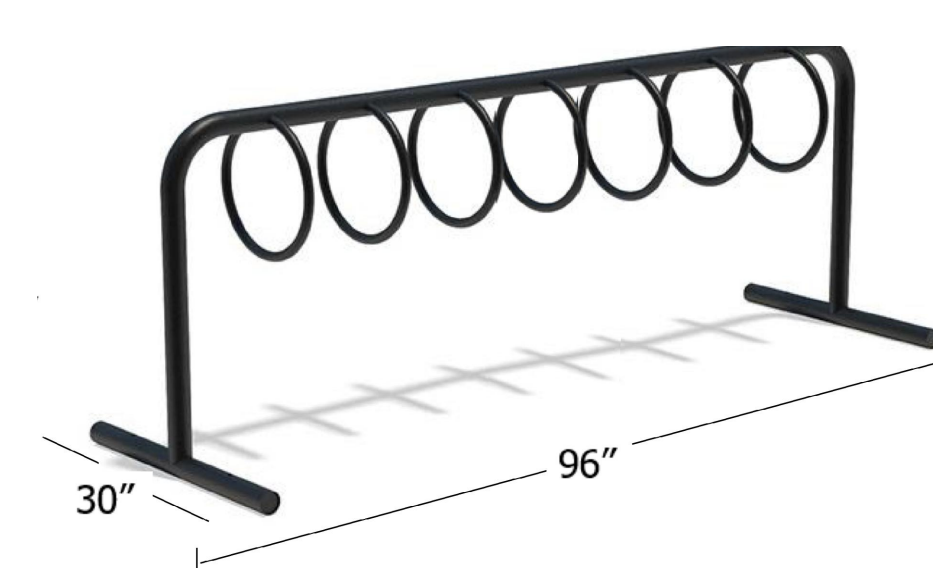
2 TREE PROTECTION FENCE
L.1 SCALE: NTS



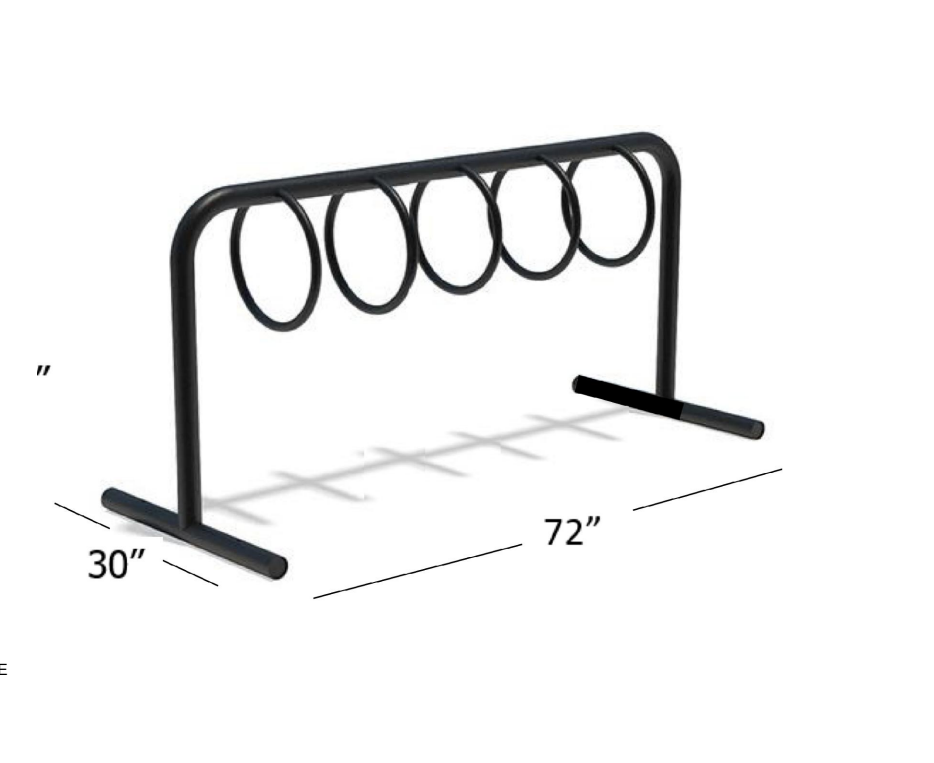
3 DECIDUOUS TREE PLANTING
L.1 SCALE: NTS



4 1.0m Ht. ORNAMENTAL METAL FENCE
L.1 SCALE: NTS



5 PROPOSED SEVEN (7) RING BIKE RACK
L.1 SCALE: NTS



6 PROPOSED FIVE (5) RING BIKE RACK
L.1 SCALE: NTS

CLIENT: SMART LIVING PROPERTIES

CONSULTANTS: ARCHITECTS: OTTAWA CARLETON CONSTRUCTION

CIVIL ENGINEERS: McINTOSH PERRY

LEGEND:

- EXISTING LANDSCAPE AREA TO REMAIN
- EXISTING TREE TO REMAIN
- EXISTING TREE TO BE REMOVED
- EXISTING 1.8-2.0m Ht. WOOD BOARD FENCE TO REMAIN
- PROPOSED 1.0m Ht. ORNAMENTAL METAL FENCE
- PROPOSED DECIDUOUS TREE
- PROPOSED SOD
- PROPOSED RIVERSTONE MULCH
- PROPOSED PERMEABLE PAVERS
- PROPOSED TREE PROTECTION FENCE

2	REVISED PER NEW SITE PLAN	01/13/2022	ML	JL
1	ISSUED FOR SITE PLAN CONTROL	08/24/2021	ML	JL

No. Issue Date DR CK

JAMES B. LENOX & ASSOCIATES INC.
LANDSCAPE ARCHITECTS
3332 CARLING AVE. OTTAWA, ONTARIO K2H 5A8
Tel. (613) 722-5168 Fax. (866) 343-3942

PROJECT: BUILDING ADDITIONS
253-257 YORK STREET & 78-80 NELSON STREET

DRAWING: TREE CONSERVATION REPORT & LANDSCAPE PLAN

STAMP: ASSOCIATION OF LANDSCAPE ARCHITECTS (Ontario Member)

SCALE: AS SHOWN
START DATE: AUGUST 2021
PROJECT NO.: 215MT2162

PROJECT NORTH: DRAWING NO.: L.1
PLOT SIZE ARCH-D

D02-02-21-0088 & D07-12-21-0135