

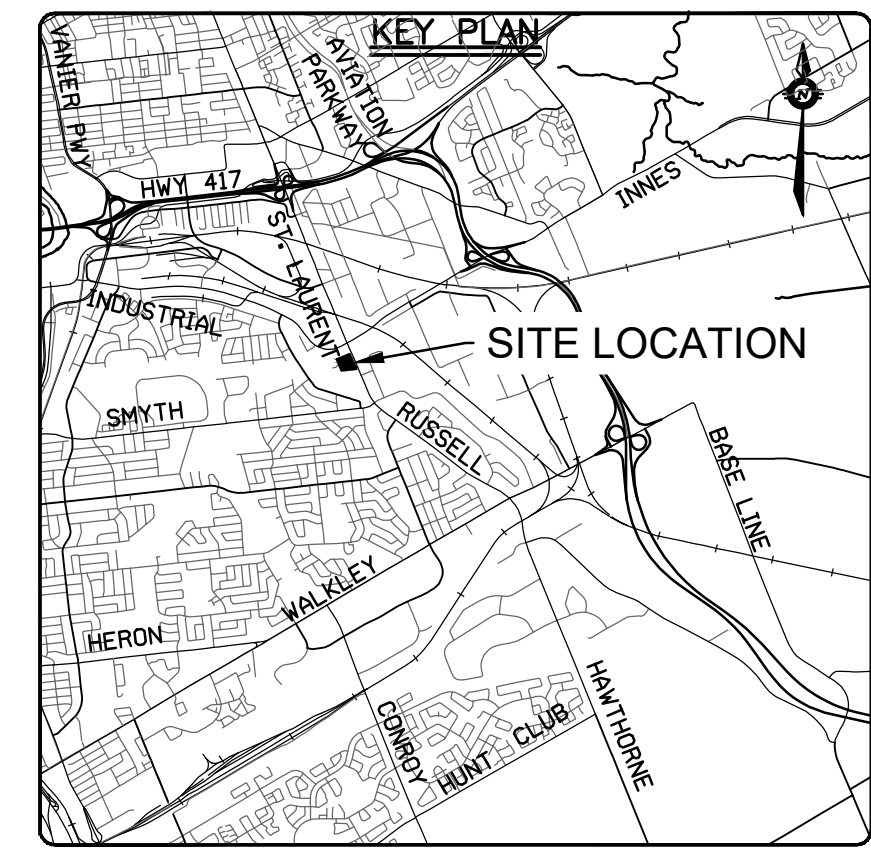
No. 898 INDUSTRIAL AVENUE

No. 1730

EROSION AND SEDIMENT CONTROLS DURING CONSTRUCTION.

DURING ALL CONSTRUCTION ACTIVITIES, EROSION AND SEDIMENTATION SHALL BE CONTROLLED BY THE FOLLOWING TECHNIQUES:

1. LIMITING THE EXTENT OF EXPOSED SOILS AT ANY GIVEN TIME.
2. RE-VEGETATION OF EXPOSED AREAS AS SOON AS POSSIBLE.
3. MINIMIZING THE AREA TO BE CLEARED AND DISRUPTION TO ADJACENT AREAS.
4. A SILT FENCE BARRIER (OPSS 219.110) TO BE INSTALLED AS SHOWN ON THIS DRAWING.
5. A VISUAL INSPECTION SHALL BE COMPLETED DAILY ON SEDIMENT CONTROL BARRIERS AND ANY DAMAGE REPAIRED IMMEDIATELY. CARE WILL BE TAKEN TO PREVENT DAMAGE DURING CONSTRUCTION OPERATIONS.
6. IN SOME CASES SOME BARRIERS MAY BE REMOVED TEMPORARILY TO ACCOMMODATE THE CONSTRUCTION OPERATIONS. THE AFFECTED BARRIERS WILL BE REINSTATED AT NIGHT WHEN CONSTRUCTION IS COMPLETED.
7. THE SEDIMENT CONTROL DEVICES WILL BE CLEANED OF ACCUMULATED SILT AS REQUIRED. THE DEPOSITS WILL BE DISPOSED OF AS PER THE REQUIREMENTS OF THE CONTRACT.
8. DURING THE COURSE OF CONSTRUCTION IF THE ENGINEER BELIEVES THAT ADDITIONAL PREVENTION METHODS ARE REQUIRED TO CONTROL EROSION AND SEDIMENTATION, THE CONTRACTOR WILL INSTALL ADDITIONAL SILT FENCES OR OTHER METHODS AS REQUIRED TO THE SATISFACTION OF THE ENGINEER.
9. CONSTRUCTION AND MAINTENANCE REQUIREMENTS FOR EROSION AND SEDIMENT CONTROLS TO COMPLY WITH ONTARIO PROVINCIAL STANDARD SPECIFICATION (OPSS) OPSS 805, AND CITY OF OTTAWA SPECIFICATIONS.
10. MUD MATT TO BE LOCATED AT THE CONSTRUCTION ENTRANCE, AS INDICATED ON THE PLAN, AND SHALL BE INSTALLED AS PER THE MUD MATT DETAIL TO PREVENT MUD TRACKING ON TO MUNICIPAL ROADS. THE ENTRANCE SHALL BE MAINTAINED IN CLEAN CONDITION THROUGHOUT THE CONSTRUCTION PERIOD.
11. EROSION AND SEDIMENT CONTROL MEASURES MAY BE MODIFIED ON-SITE AT THE DISCRETION OF THE CITY OF OTTAWA INSPECTOR OR THE MISSISSIPPI VALLEY CONSERVATION AUTHORITY. CONTRACTOR IS RESPONSIBLE TO INSTALL MODIFICATIONS AS REQUIRED TO THE SATISFACTION OF THE APPROPRIATE AUTHORITIES.
12. IN ACCORDANCE WITH BEST MANAGEMENT PRACTICES FOR EROSION AND SEDIMENT CONTROL, GEOSYNTHETIC SYSTEMS SILTSACK OR APPROVED EQUIVALENT IS TO BE PLACED INSIDE ALL STORM MANHOLE CATCHBASINS AND CATCHBASINS. INSTALLATION, INSPECTION AND CLEANOUT ARE AS PER MANUFACTURER'S RECOMMENDATIONS.



SITE BENCHMARK
FIRE HYDRANT (#372029H196)
TOP OF SPINDLE ELEVATION=70.13

TOWER 2
12 STOREYS
FFL=74.20

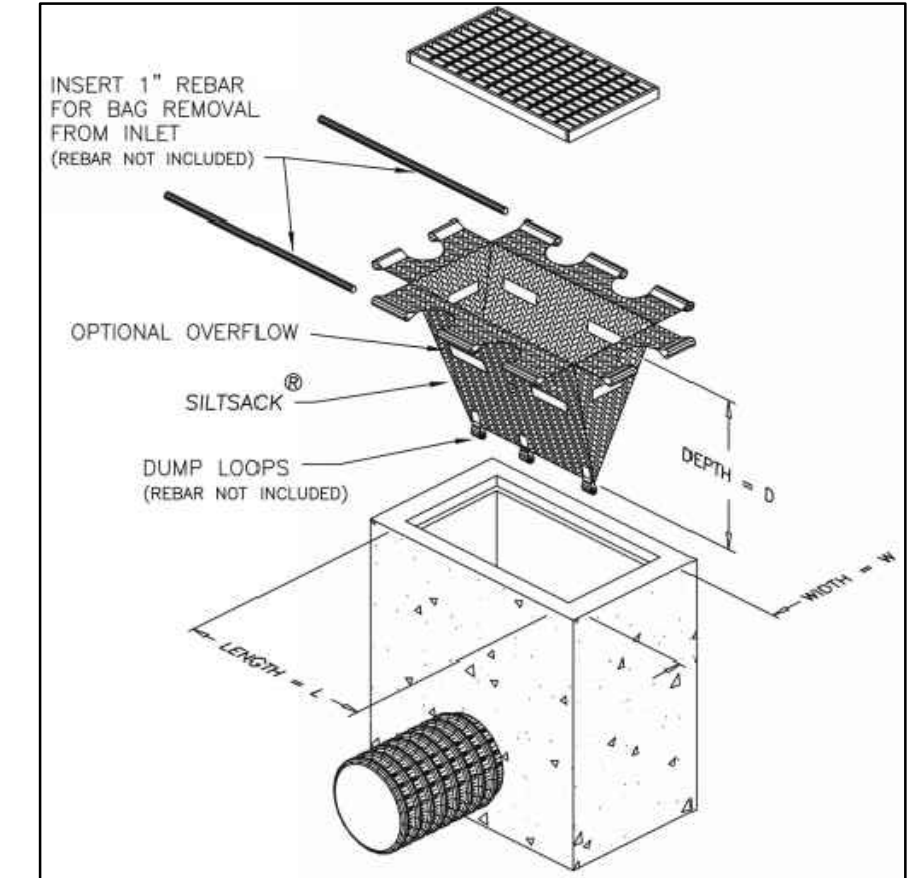
TOWER 1
15 STOREYS
FFL=70.45

TOWER 3
15 STOREYS
FFL=69.99

TOWER 4
12 STOREYS
FFL=73.98

EVEREST PRIVATE

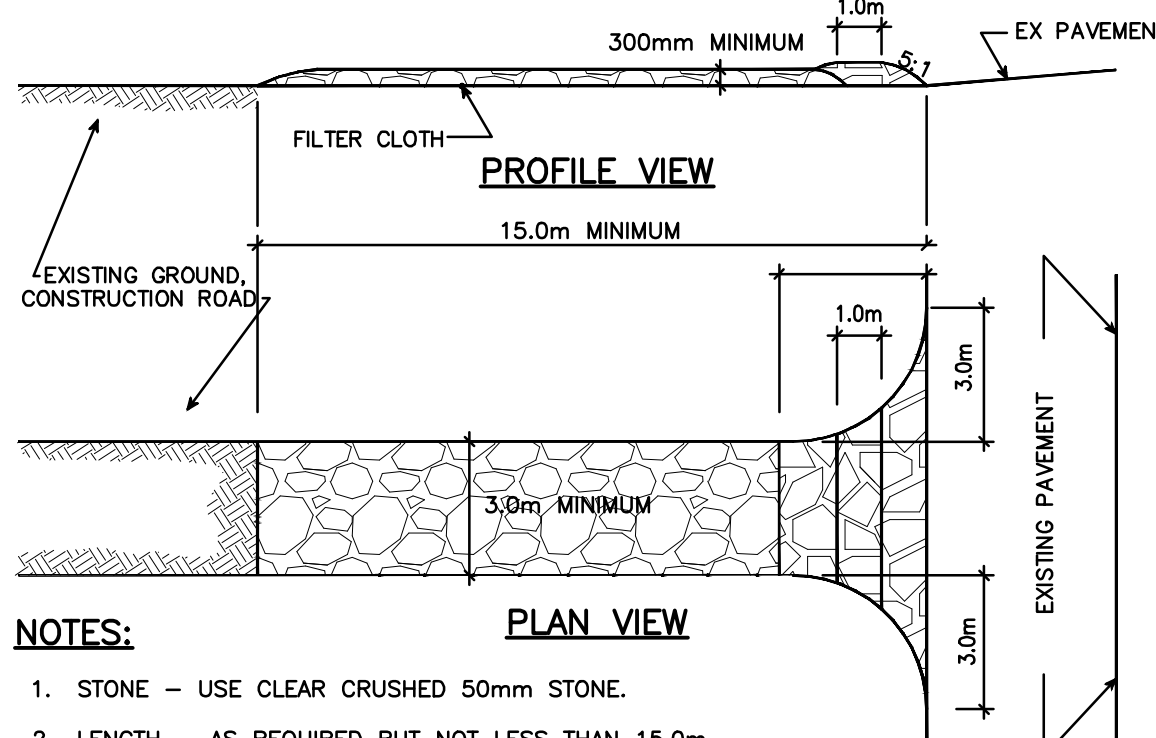
ST. LAURENT BOULEVARD



PROVIDE FILTER BAGS AS SHOWN (GEO-SYNTHETICS MANUFACTURER OR APPROVED EQUIVALENT)

FILTER BAG DETAIL

N.T.S.

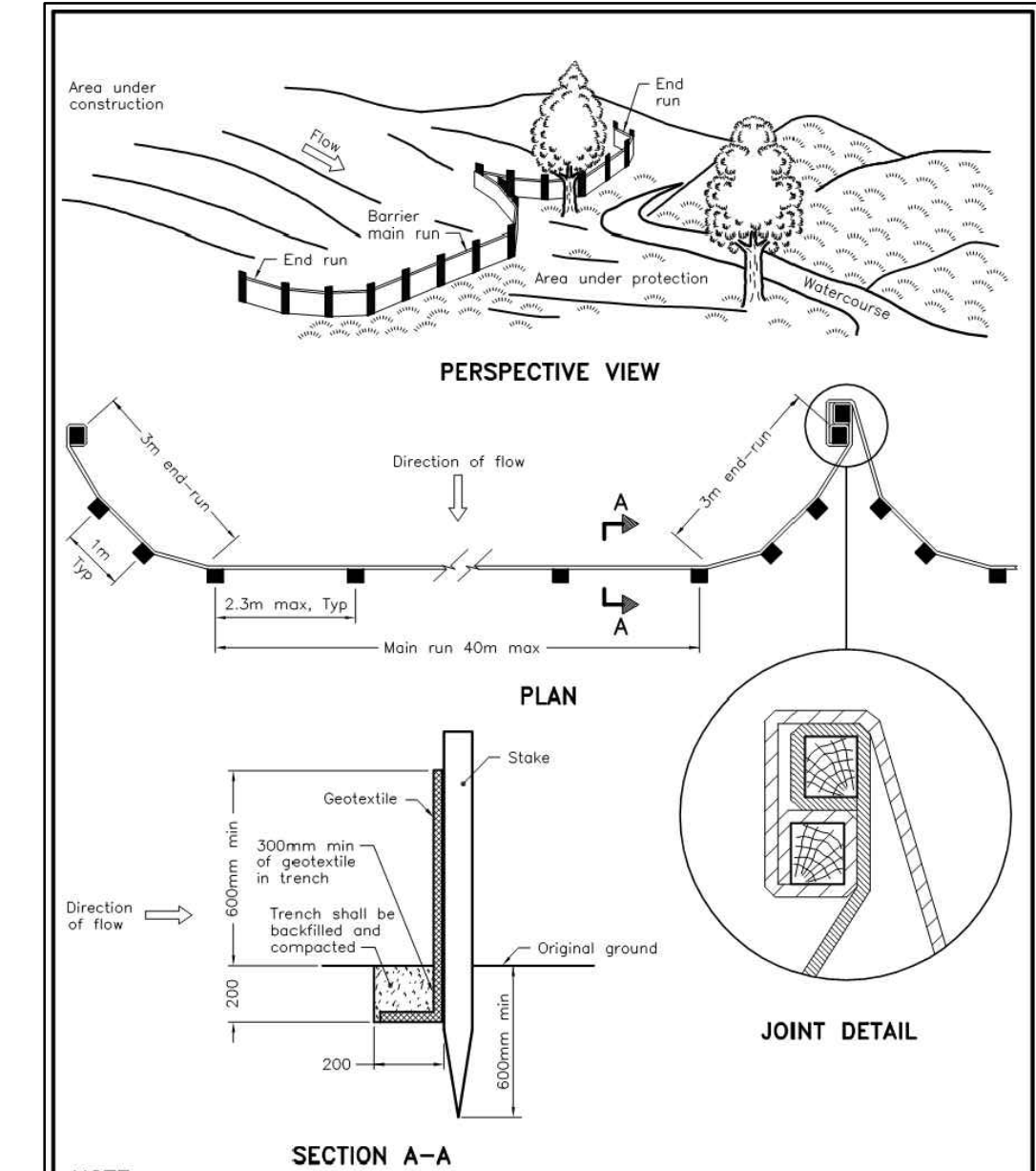


NOTES:

1. STONE - USE CLEAR CRUSHED 50mm STONE.
2. LENGTH - AS REQUIRED BUT NOT LESS THAN 15.0m.
3. THICKNESS - NOT LESS THAN 300mm.
4. WIDTH - 3.0m MINIMUM, NOT LESS THAN THE WIDTH AT POINTS WHERE INGRESS OR EGRESS OCCURS.
5. FILTER CLOTH - WILL BE PLACED OVER THE ENTIRE AREA PRIOR TO PLACING STONE.
6. MAINTENANCE - THE ENTRANCE SHALL BE MAINTAINED IN A CONDITION WHICH WILL PREVENT TRACKING OR FLOWING OF SEDIMENT ONTO PUBLIC RIGHT-OF-WAY. THIS MAY REQUIRE PERIODIC TOP DRESSING WITH ADDITIONAL STONE AS CONDITIONS DEMAND AND REPAIR AND/OR CLEAN OUT OF ANY MEASURES USED TO TRAP SEDIMENT. ALL SEDIMENT SPILLED, DROPPED, WASHED OR TRACKED ONTO PUBLIC RIGHT-OF-WAY MUST BE REMOVED IMMEDIATELY.
7. PERIODIC INSPECTION AND NEEDED MAINTENANCE SHALL BE PROVIDED AFTER EACH RAIN.

MUD MAT DETAIL

N.T.S.



NOTE:
A All dimensions are in millimetres unless otherwise shown.

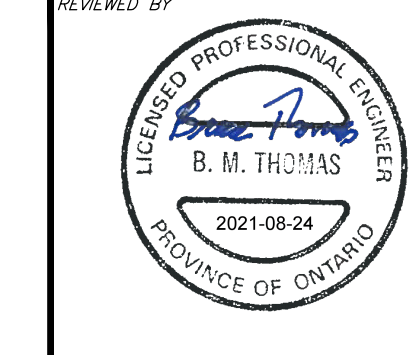
ONTARIO PROVINCIAL STANDARD DRAWING		Nov 2015	Rev 2
LIGHT-DUTY SILT FENCE BARRIER		OPSS 219.110	

- NOTES:
1. WOVEN WIRE FENCE TO BE FASTENED SECURELY TO WOOD POSTS WITH WIRE TIES OR STAPLES.
 2. POSTS TO BE SPACED AT 2.3 METRES CENTRE TO CENTRE.
 3. WHEN TWO SECTIONS OF FILTER CLOTH ADJOIN EACH OTHER THEY SHALL BE OVERLAPPED BY A MINIMUM OF 500mm.
 4. MAINTENANCE SHALL BE PERFORMED AS NEEDED AND MATERIAL REMOVED WHEN "BULGES" DEVELOP IN THE SILT FENCE.
 5. WOOD POSTS TO BE HARDWOOD TYPE (50mm x 50mm).
 6. GEOTEXTILE TO BE EMBEDDED 200mm INTO GROUND.
 7. GEOTEXTILE TO CONFORM TO OPSS 805 STANDARDS.
 8. SILT FENCE MUST BE INSTALLED BEFORE COMMENCEMENT OF CONSTRUCTION AND IN ACCORDANCE WITH DETAIL. SILT FENCE CAN BE REMOVED AFTER LANDSCAPING IS COMPLETE.
 9. SEDIMENTS MUST BE CLEARED AWAY WHEN THEY REACH HALF THE HEIGHT OF THE FENCE.

CAUTION
THE POSITION OF ALL POLE LINES, CONDUITS, WATERMANS, SEWERS AND OTHER UNDERGROUND AND OVERGROUND UTILITIES AND STRUCTURES IS NOT NECESSARILY SHOWN ON THE CONTRACT DRAWINGS, AND WHERE SHOWN, THE ACCURACY OF THE POSITION OF SUCH UTILITIES AND STRUCTURES IS NOT GUARANTEED. BEFORE STARTING WORK, DETERMINE THE EXACT LOCATION OF ALL SUCH UTILITIES AND STRUCTURES AND ASSUME ALL LIABILITY FOR DAMAGE TO THEM.

REV	REVISION DESCRIPTION	DATE	BY	APPD
2	ISSUED FOR SPA	16/08/21	AE	BMT
1	ISSUED FOR COORDINATION	09/07/21	AE	BMT

SCALE	DESIGNED BY	REVIEWED BY	CLIENT
0 4m 8m 16m HORIZONTAL 1:400	B. M. THOMAS	B. M. THOMAS	11421247 CANADA INC. 100-768 ST. JOSEPH BOULEVARD GATINEAU, QC. J8Y 4B8



exp.
exp Services Inc.
1-416-333-1889 | 1-613-225-7330
225 Wellington Street, Unit 100
Ottawa, ON K2B 8K6
Canada
www.exp.com

• BUILDINGS • EARTH & ENVIRONMENT • ENERGY •
• INDUSTRIAL • INFRASTRUCTURE • SUSTAINABILITY •

PROJECT	ST. LAURENT BOULEVARD DEVELOPMENT 1740-1760 ST. LAURENT BLVD., OTTAWA, ON	PROJECT No. OTT-260579-80
DESIGN	JLF/JAO	SURVEY AOV
CHECKED	BMT	DATE OCT 2020
CAD	SK	DRAWING No. C300
PROJECT MANAGER	BMT	
APPROVED	BMT	

I:\Projects\11421247\11421247-01\11421247-01.dwg
 User: jlf
 Date: 2021-10-16 10:00:00
 Plot: 11421247-01.dwg
 Plot Date: 2021-10-16 10:00:00
 Plot Scale: 1:400
 Plot Orientation: Horizontal
 Plot Units: Millimeters
 Plot Color: Black
 Plot Lineweight: 0.5
 Plot Linetype: Solid
 Plot Font: Arial, 10
 Plot Title: 11421247-01.dwg
 Plot Sheet: 1 of 1
 Plot Size: 11421247-01.dwg
 Plot Title: 11421247-01.dwg
 Plot Sheet: 1 of 1
 Plot Size: 11421247-01.dwg