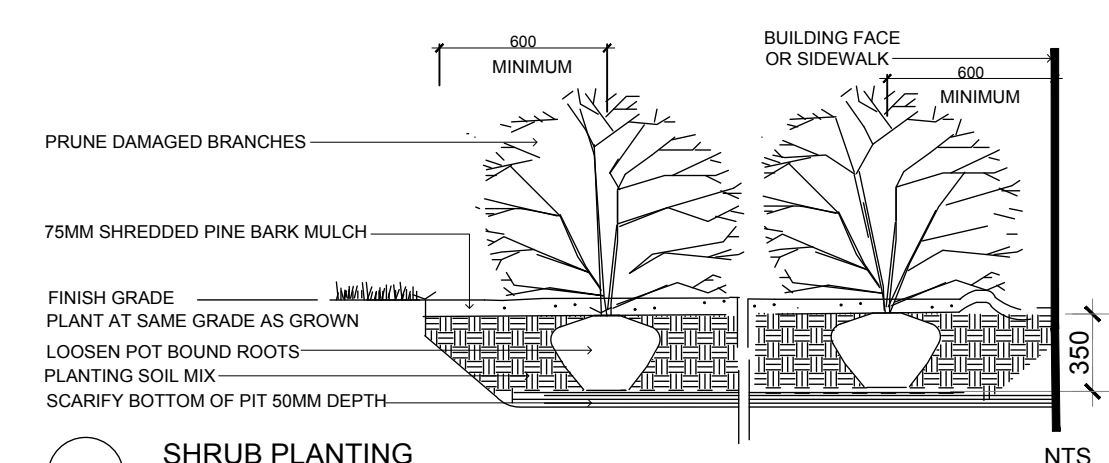
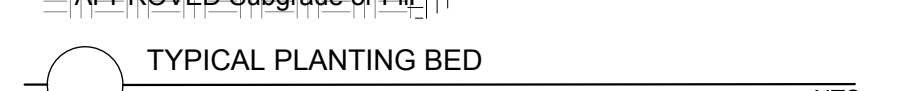


TREE PLANTING IN PLANTING BED NTS

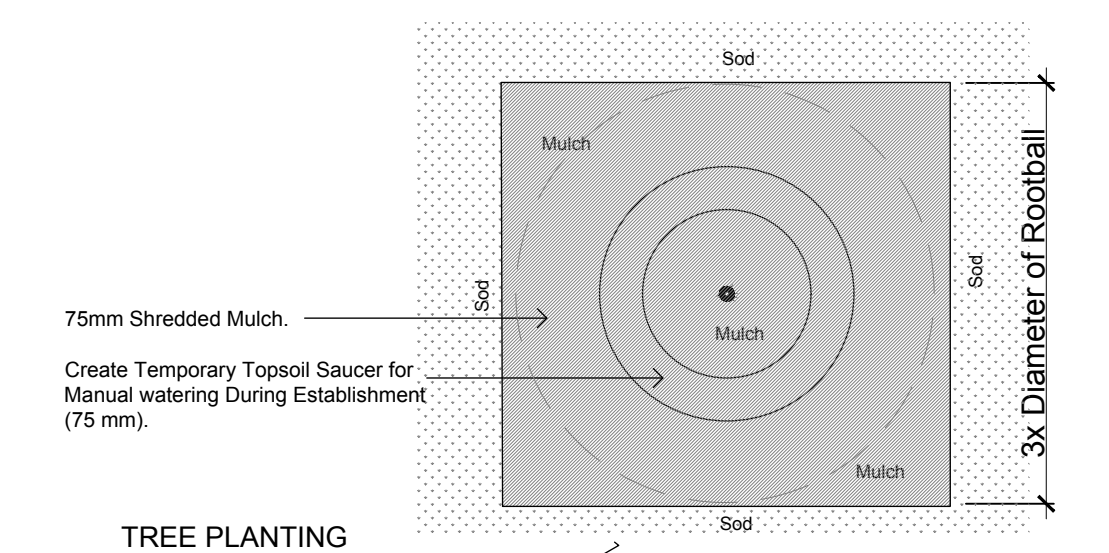


SHRUB PLANTING NTS

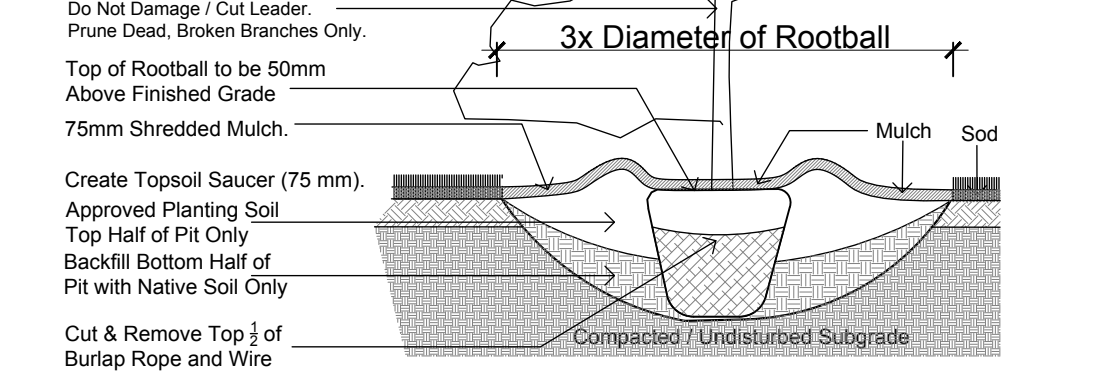
During Excavation/Bed Preparation if Extreme Conditions are Encountered (Water, Rock, Gravel...) Notify GJA INC Immediately.



TYPICAL PLANTING BED NTS



TREE PLANTING Plan

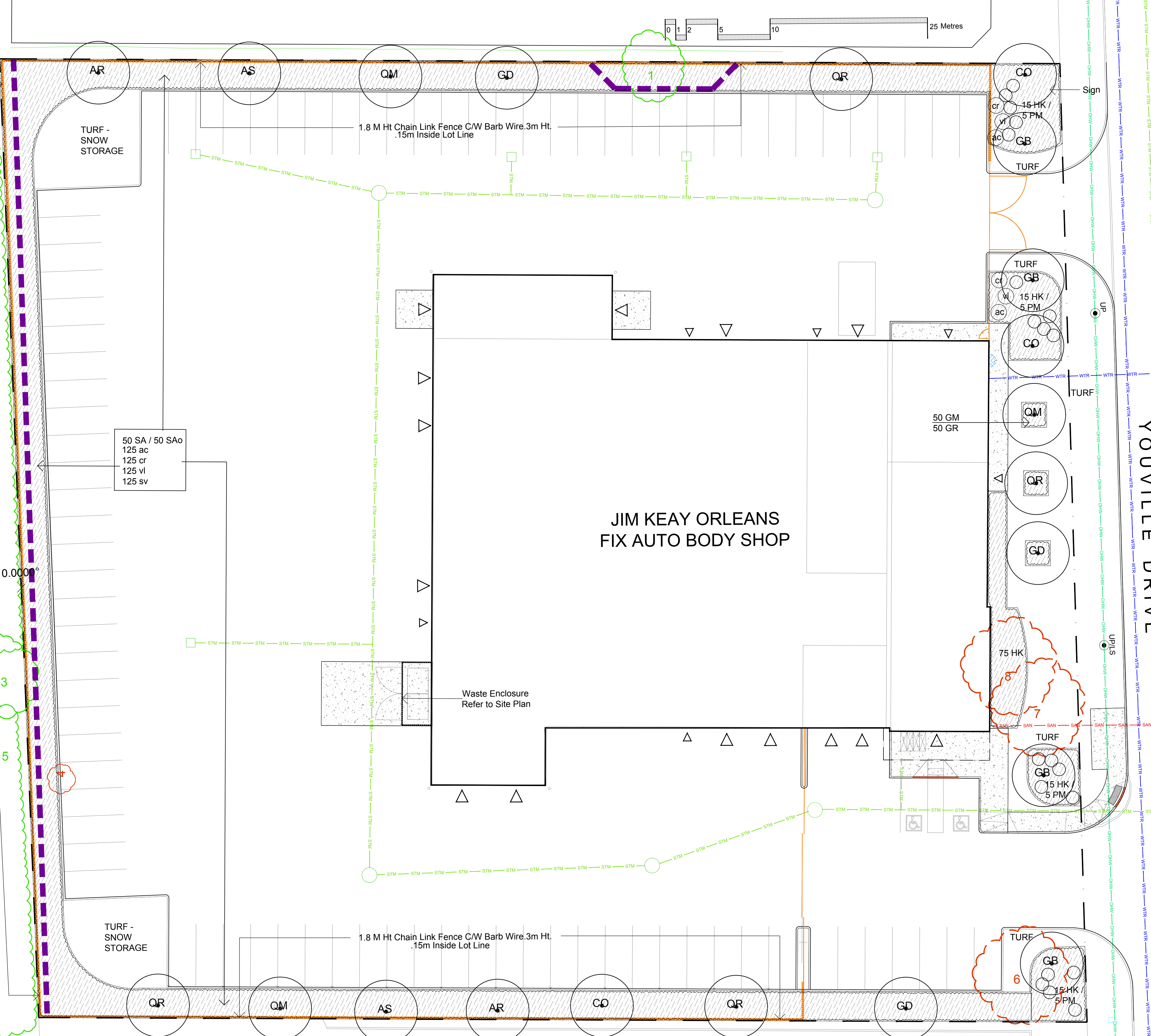


TREE PLANTING Section NTS

Code	Qty.	Botanical Name	Common Name	Size	Condition
AR	2	Acer rubrum	Red Maple	70mm cal	B + B specimen
AS	2	Acer saccharum	Sugar Maple	60mm cal	B + B specimen
CD	3	Celtis occidentalis	Common Hackberry	60mm cal	B + B specimen
GB	4	Ginkgo biloba	Maidenhair Tree	60mm cal	B + B specimen
GD	3	Gymnocladus dioica	Kentucky Coffee Tree	60mm cal	B + B specimen
QM	3	Quercus macrocarpa	Bur Oak	70mm cal	B + B specimen
QR	4	Quercus rubra	Red Oak	60mm cal	B + B specimen

Code	Qty.	Botanical Name	Common Name	Size	Condition
ac	125	Amelanchier canadensis	Serviceberry	150cm Ht.	Pot
cr	125	Cornus racemosa	Grey Dogwood	100cm Ht.	Pot
HK	135	Hypericum kalmianum	St. John's Wort	30cm Ht.	Pot
sv	125	Syringa vulgaris alba	White Common Lilac	125cm Ht.	Pot
vl	125	Viburnum lentago	Nannyberry	125cm Ht.	Pot
Sao	50	Symphoricarpos albus	Snowberry	60cm Ht.	Pot
SA	50	Spiraea alba	Meadowsweet	50cm Ht.	Pot

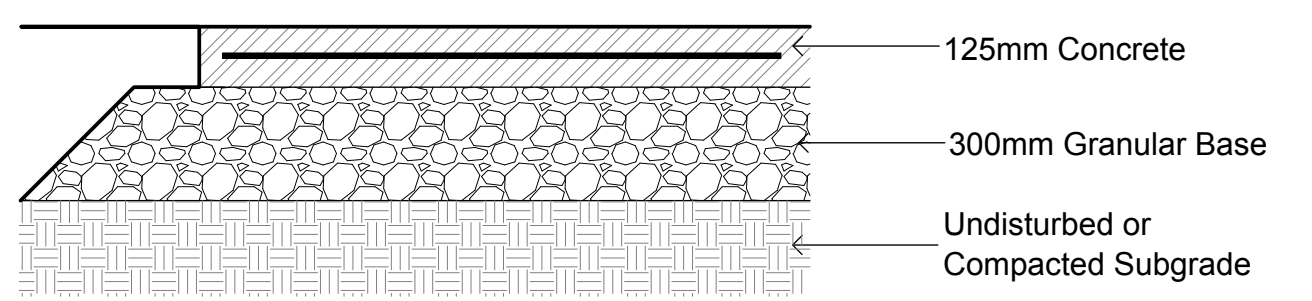
Code	Qty.	Botanical Name	Common Name	Condition
GM	50	Geranium macrorrhizum	Bigroot Geranium	9cm Pot
GR	50	Geranium psilostemon 'Gerwat'	Rozanne Geranium	9cm Pot
PV	50	Panicum virgatum	Switch Grass	9cm Pot
PM	20	Pinus mugo var. pumilio	Mugho Pine	30cm spr



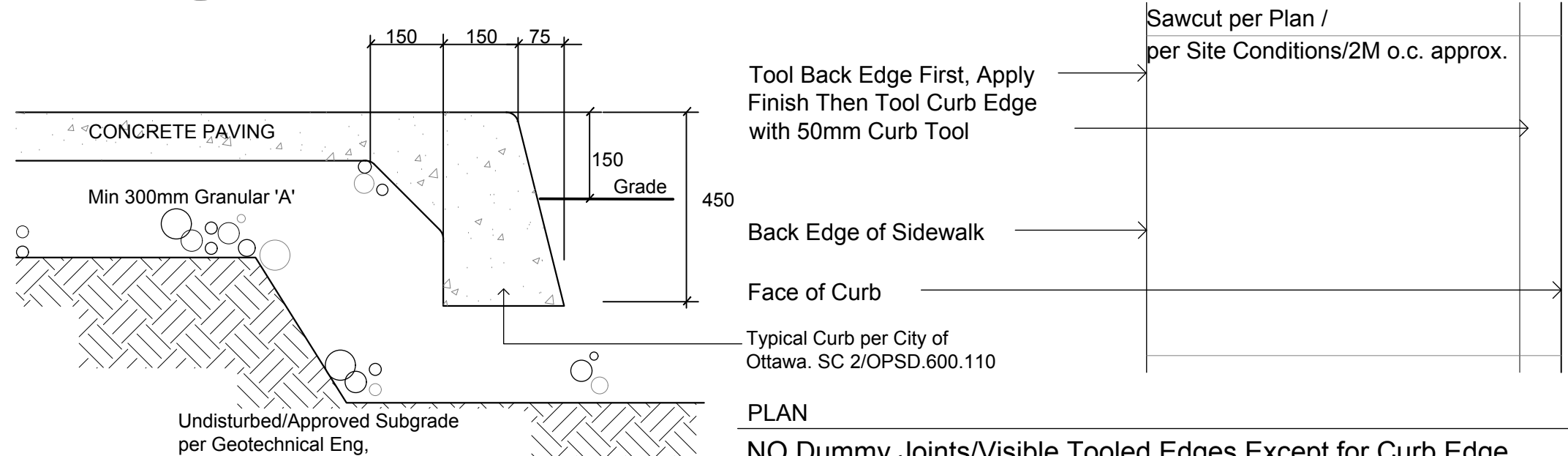
CONCRETE - FINISH LIGHT BROOM, WOOD FLOAT MAGNESIUM FLOAT:
ALL CONCRETE FINISHES TO BE APPROVED BY GJA LANDSCAPE ARCHITECT.

SAWCUT LAYOUT FOR ALL AREAS TO BE MARKED ON SITE IN RED CHALK, REVIEWED, ADJUSTED AND APPROVED BY GJA LANDSCAPE ARCHITECT PRIOR TO ANY CUTTING.

EXPANSION JOINT LAYOUT FOR ALL AREAS TO BE LAID OUT ON SITE, REVIEWED, ADJUSTED AND APPROVED BY GJA LANDSCAPE ARCHITECT PRIOR TO ANY CONCRETE POURING.
PROVIDE COLD JOINT DETAIL at End of Previous Pour/Beginning of New Pour. C/W REBAR DOWELS 500mm O.C.
FINISH: TOOL EDGE FIRST, THEN WIPE OFF TOOL MARKS WHILE APPLYING FINISH.



CONCRETE PAVING NTS
32mpa, 6% Air Entrainment 6x6 Wire Mesh, Fibre Exp. Joints at all Hard Edges, Sawcut Control Joints (1" depth) +/-2.0m O.C. as



CONCRETE PAVING/MONOLITHIC CURB NTS
Refer to Grading Plan for Grading

Drawing Remains the Property of/Copyright Reserved by GJA INC. Do Not Use or Reproduce Without Approval of GJA INC. NOT To Be Used For Construction Unless Indicated by Revision: FOR LANDSCAPE CONSTRUCTION". Contractor is Responsible for Verification of Site Locations of all Utilities. Report any Discrepancies Between Site and Drawing Immediately to GJA INC. Do NOT Proceed Until Clarified.

TURF AREAS TO BE SOD C/W 150MM DEPTH TOPSOIL ON APPROVED SUBGRADE (SOD TO BE #1 GRADE TURFGRASS NURSERY SOD per NSGA - Fine Fescue/Kentucky Bluegrass Sod) | PLANTING MIX TO BE APPROVED BY LANDSCAPE ARCHITECT | PLANT MATERIAL TO MEET CNLA STANDARDS/BE APPROVED BY LANDSCAPE ARCHITECT PRIOR TO PLANTING | ALL MATERIALS & WORK TO BE MAINTAINED UNTIL FINAL ACCEPTANCE, (MOWING TURF, WEEDING BEDS, WATERING TURF & PLANTS) & INCLUDE 1 YEAR WARRANTY FROM DATE OF FINAL ACCEPTANCE | PROVIDE WATERING OF ALL PLANT MATERIAL AS REQUIRED FOR PROPER ESTABLISHMENT UNTIL END OF WARRANTY PERIOD | REFER TO CIVIL ENGINEER'S DRAWING FOR ELEVATIONS / GRADING |

The Landscape Plan is to be read in conjunction with the grading, servicing, site and survey plan | Bare root material to be planted in season only | All plant material locations to be staked on site by the landscape contractor and checked by the landscape architect prior to planting | All trees to be preserved on or directly adjacent to the site will be protected | Plant material are to be installed a minimum of 3.0m away from any part of any hydro transformer, 3.0m corridor between a fire hydrant and the curb, a 2.5m radius beside or behind a fire hydrant, 2.0m from any servicing/utility line or structure |

- Proposed Deciduous Tree
- Shrub Planting Bed
- Concrete
- 1.8 M Ht Chain Link Fence C/W Barb Wire. 3m Ht.
- Site Security Gates - Refer To Site Plan
- TWSI
- Fire Hydrant
- FD Siamese Connection
- Light Standard/ Utility Pole
- Depressed Curb
- REFER TO TCR BY IFS
- Existing Tree to Remain
- Existing Tree to Remove
- Protection for Existing Trees
- BELOW GRADE SERVICES REFER TO CIVIL/CUP
- U/G Water Service
- U/G Storm Service
- U/G Sanitary Service
- U/G Gas Service
- U/G TelCo Service
- U/G Hydro Service
- O/H Hydro Service

#	Revision	Date
2	IN PROGRESS R SPC2	FEBRUARY 5 2023
1	SITE PLAN CONTROL SUBMISSION 1	AUGUST 25 2022
0	REVIEW/COORDINATION	AUGUST 2022

Property Owner
2167659 Ontario Inc.
1438 Youville Drive, Orleans Ontario, K1C 2X8, 613-841-3099

Gino J. Aiello | landscape architect GJALA.com
GJA Inc. Gino@GJALA.com (613) 286 5130
110 Dossbury Road Unit # 9 | Ottawa Ontario | K2T 0C2

Project
FIX AUTO BODYSHOP
1400-1410 YOUVILLE DRIVE ORLEANS

Scale: 1:200
City of Ottawa
Dwg - 18194

Sheet Number
L1
D07-12-22-0130