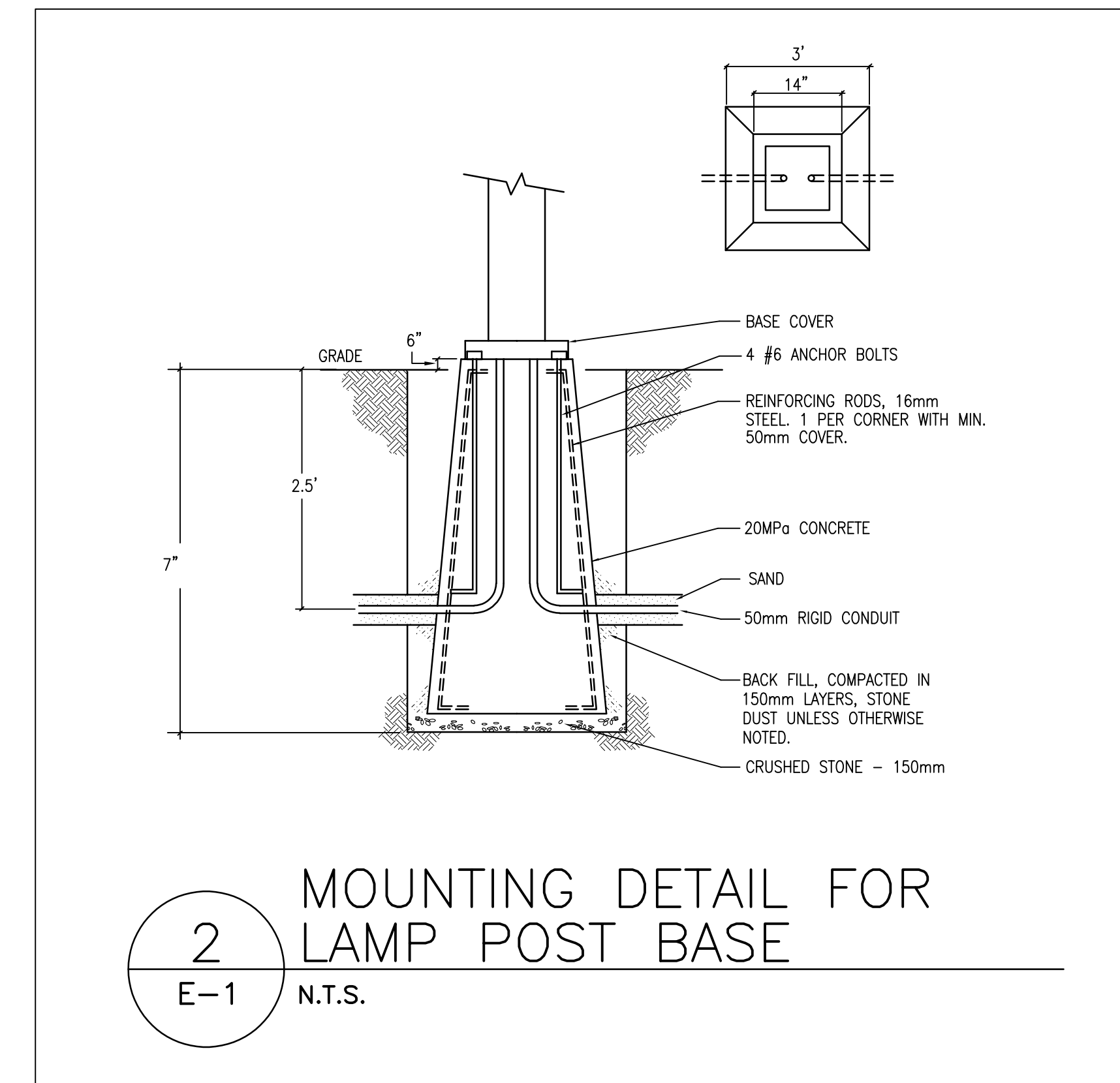


LIGHTING FIXTURE SCHEDULE											
TYPE	DESCRIPTION	LAMPS						DIMMING OPTION	VOLT	MOUNTING	REMARKS
		QTY	TYPE	WATTS	COLOUR	LUMENS	LUMENS/WATT (LPW)				
AA	LED BOLLARD LIGHT - ERCO KUBUS BOLLAR LUMINAIRE SERIES NO SUBSTITUTION	1	LED	32W	3000K	450 LM			347	ON 24" HIGH CONCRETE BASE	- DEEP BEAM - FULL CUTOFF - CORROSION RESISTANT ALUMINUM - DUST TIGHT AND WATER JET PROOF - SOFTEC LENS
BB	LED SITE LIGHT STANDARD - CREE OSO MEDIUM SERIES NO SUBSTITUTION	1	LED	30W	3000K	4000 LM			347	12" POLE ON CONCRETE BASE	- FULL CUTOFF - DIRECT ARM MOUNT - TYPE IV MEDIUM - HOUSE SIDE SHIELD
CC	3.5" LED DOWN LIGHT - LITELINE LUNA R335 SERIES NO SUBSTITUTION	1	T8	12W	3000K	800 LM		0-10V	347	RECESSED	- WHITE FINISH - 90 CRI - 40% BEAM SPREAD - WET LOCATIONS
DD	LED LINEAR STRIP - NOVA FLEX FLEX LINE 2.0 STATIC WHITE SERIES NO SUBSTITUTION	1	LED	55W	3000K	412 LM/FT	91 LM/W		120	SURFACE	- 12FT LENGTH - UV RESISTANT - FROSTED LENS - C/W WITH ALL REQUIRED ACCESSORIES AND COMPONENTS FOR A COMPLETE WORKING SYSTEM - 4.6 W/FT
EE1	12" LED - ECOSENE TROV L50 LOL SERIES NO SUBSTITUTION	1	LED	6W/FT	3000K	332 LM/FT	55 LM/W		347	RECESSED IN CANTILEVER	- EXTERIOR APPLICATIONS - 12" IN LENGTH - 80 CRI - LOL OPTIC - C/W WITH ALL REQUIRED ACCESSORIES AND COMPONENTS FOR A COMPLETE WORKING SYSTEM
EE2	48" LED - ECOSENE TROV L50 LOL SERIES NO SUBSTITUTION	1	LED	6W/FT	3000K	332 LM/FT	55 LM/W		347	RECESSED IN CANTILEVER	- EXTERIOR APPLICATIONS - 48" IN LENGTH - 80 CRI - LOL OPTIC - C/W WITH ALL REQUIRED ACCESSORIES AND COMPONENTS FOR A COMPLETE WORKING SYSTEM

DIMMING NOTES:
1. 0-10V DENOTES 0-10V DIMMING CONTROL



NOTES:

THESE DESIGN DOCUMENTS ARE PREPARED SOLELY FOR THE USE BY THE PARTY WITH WHOM THE DESIGN PROFESSIONAL HAS ENTERED INTO A CONTRACT AND THERE ARE NO REPRESENTATIONS OF ANY KIND MADE BY THE DESIGN PROFESSIONAL TO ANY PARTY WITH WHOM THE DESIGN PROFESSIONAL HAS NOT ENTERED INTO A CONTRACT.

THE PAPER COPY OF THE DRAWINGS ISSUED FOR BUILDING PERMIT AND/OR TENDER WILL TAKE PRECEDENCE OVER ELECTRONIC COPIES.

THE ENGINEER WAIVES ANY AND ALL RESPONSIBILITY AND LIABILITY FOR PROBLEMS THAT ARISE FROM FAILURE TO FOLLOW THESE PLANS, SPECIFICATIONS AND THE DESIGN INTENT THEY CONVEY, OR FOR PROBLEMS WHICH ARISE FROM OTHER FAILURE TO OBTAIN AND / OR FOLLOW ENGINEER'S GUIDANCE WITH RESPECT TO ANY ERRORS, OMISSIONS, INCONSISTENCIES, AMBIGUITIES OR CONFLICTS WHICH ARE ALLEGED.

THIS DRAWING IS THE PROPERTY OF ALFA+ PROJECT LEADERS INC. AND ALL COPYRIGHTS ARE RESERVED. NO USE OF THIS DRAWING MAY BE MADE WITHOUT EXPRESS WRITTEN CONSENT.

DO NOT SCALE DRAWINGS.

1.	ISSUED FOR SITE PLAN APPLICATION	MAR 22/23
REV:	DESCRIPTION:	DATE:

ALFA+
PROJECT LEADERS
MECHANICAL AND ELECTRICAL ENGINEERS
OTTAWA, ONTARIO
WWW.ALFAPLUS.CA

(613) 417-1756 HELLO@ALFAPLUS.CA

STAMP: PROFESSIONAL ENGINEER
A. SALAH
100072517
Mar 23/23
PROVINCE OF ONTARIO

PROJECT NORTH

PROJECT:
3055 RICHMOND ROAD
4-STOUREY RESIDENTIAL BUILDING
OTTAWA, ONTARIO

DRAWING:
ELECTRICAL:
SITE LIGHTING PLAN

DATE: MARCH 2023	DRAWN: F.S.	DESIGNED: F.S.	CHECKED: A.S.
SCALE: 1/8"=1'-0"	PROJECT NO: 23003	DRAWING NO: ES-1	OF 10