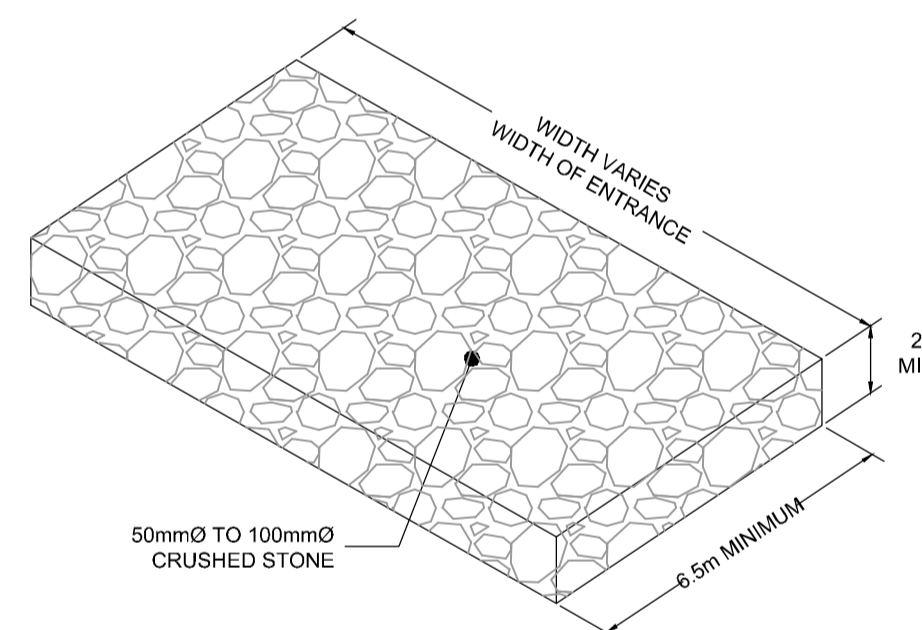
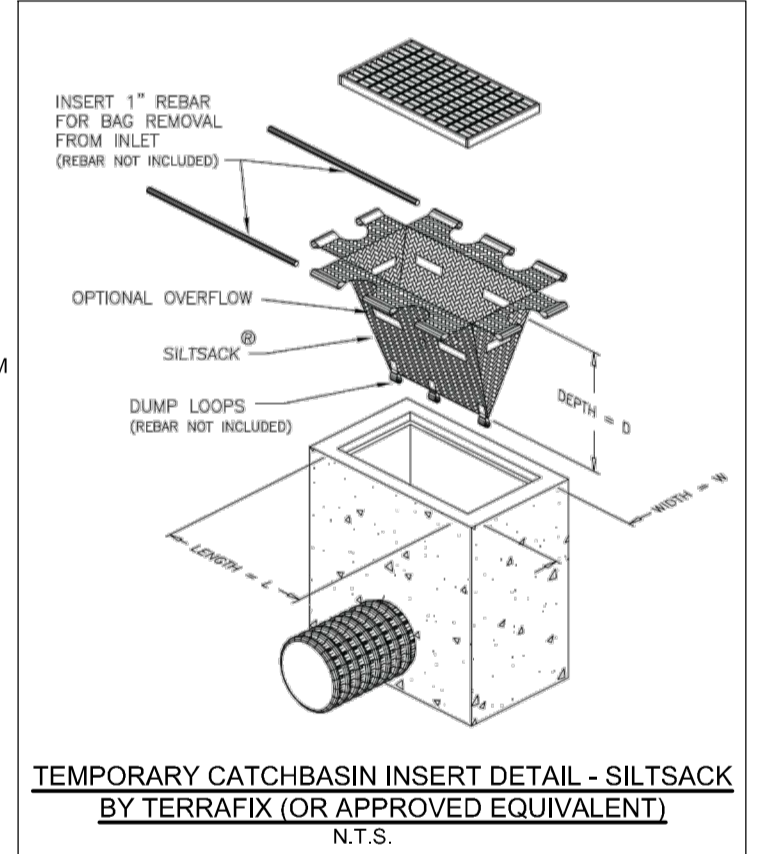


**LEGEND**

---	SITE PROPERTY LINE	STM MH	EXISTING STORM MANHOLE
- - -	MISC LEGAL LINE (EASEMENT, PROPERTY LINES) REFER TO LEGAL PLAN FOR DETAILS	CB 1	EXISTING CATCHBASIN
---	TACTILE WALKING SURFACE INDICATOR (TWS) PER CITY DETAIL SC7.3	○ LS	EXISTING LIGHT STANDARD
---	PROPOSED SIDEWALK	- X -	EXISTING FENCE
---	PROPOSED RETAINING WALL	- - -	EXISTING DITCH CENTRELINE
---	PROPOSED CURB	TT	EXISTING TRANSFORMER
DC	PROPOSED DEPRESSED CURB		
---	PROPOSED ASPHALT DRIVEWAY		
---	SWALE C/W SUBDRAIN AND DIRECTION OF FLOW		
MM	PROPOSED MUD MAT		
---	LIGHT DUTY SILT FENCE (OPSD 219.110)		
○	PROPOSED FILTER BAGS AT CATCHBASINS, CATCHBASIN MANHOLES AND TRENCHDRAINS		
---	STRAWBALE CHECK DAM (OPSD 219.180)		
○	PROPOSED STORM MANHOLE		
○	PROPOSED STORM MANHOLE C/W ICD		
○	PROPOSED CATCHBASIN MANHOLE		
○	PROPOSED CATCHBASIN MANHOLE C/W ICD		
□	PROPOSED CATCHBASIN		
□	PROPOSED CATCHBASIN C/W ICD		
□	PROPOSED CATCHBASIN		
□	PROPOSED CATCHBASIN C/W ICD		
○	PROPOSED LANDSCAPE DRAIN		



**MUD MAT DETAIL**  
NOT TO SCALE

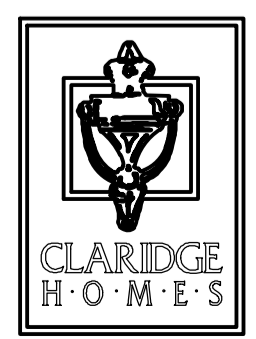


**TEMPORARY CATCHBASIN INSERT DETAIL - SILTSACK BY TERRAFIX (OR APPROVED EQUIVALENT)**  
N.T.S.

- EROSION AND SEDIMENT CONTROL NOTES:**
- THE CONTRACTOR SHALL IMPLEMENT BEST MANAGEMENT PRACTICES, TO PROVIDE FOR PROTECTION OF THE AREA DRAINAGE SYSTEM AND THE RECEIVING WATERCOURSE, DURING CONSTRUCTION ACTIVITIES. THE CONTRACTOR ACKNOWLEDGES THAT FAILURE TO IMPLEMENT APPROPRIATE EROSION AND SEDIMENT CONTROL MEASURES MAY BE SUBJECT TO PENALTIES IMPOSED BY ANY APPLICABLE REGULATORY AGENCY.
- 1) THE OWNER AGREES TO PREPARE AND IMPLEMENT AN EROSION AND SEDIMENT CONTROL PLAN TO THE SATISFACTION OF THE CITY OF OTTAWA, APPROPRIATE TO THE SITE CONDITIONS, PRIOR TO UNDERTAKING ANY SITE ALTERATIONS (FILLING, GRADING, REMOVAL OF VEGETATION, ETC.) AND DURING ALL PHASES OF SITE PREPARATION AND CONSTRUCTION IN ACCORDANCE WITH THE CURRENT BEST MANAGEMENT PRACTICES FOR EROSION AND SEDIMENT CONTROL. SUCH AS BUT NOT LIMITED TO INSTALLING FILTER CLOTHS ACROSS MANHOLE/CATCHBASIN LIDS TO PREVENT SEDIMENTS FROM ENTERING STRUCTURES AND INSTALL AND MAINTAIN A LIGHT DUTY SILT FENCE BARRIER AS REQUIRED.
  - 2) THE CONTRACTOR SHALL PLACE FILTER BAGS UNDER THE CATCHBASIN AND MANHOLE GRATES FOR THE DURATION OF CONSTRUCTION AND WILL REMAIN IN PLACE DURING ALL PHASES OF CONSTRUCTION.
  - 3) SILT FENCING FOR ENTIRE PERIMETER OF SITE, SHALL BE UTILIZED TO CONTROL EROSION FROM THE SITE DURING CONSTRUCTION.
  - 4) THE CONTRACTOR ACKNOWLEDGES THAT FAILURE TO IMPLEMENT EROSION AND SEDIMENT CONTROL MEASURES MAY BE SUBJECT TO PENALTIES IMPOSED BY ANY APPLICABLE REGULATORY AGENCY.
  - 5) PROVIDE MUD MATS AT ALL CONSTRUCTION ACCESS POINTS TO MINIMIZE SEDIMENT TRANSPORT OFFSITE.
  - 6) EROSION AND SEDIMENT CONTROL MEASURES MAY BE MODIFIED IN THE FIELD AT THE DISCRETION OF THE CITY OF OTTAWA SITE INSPECTOR OR CONSERVATION AUTHORITY.

**NOTE:**  
THE POSITION OF ALL POLE LINES, CONDUITS, WATERMANS, SEWERS AND OTHER UNDERGROUND AND OVERGROUND UTILITIES AND STRUCTURES IS NOT NECESSARILY SHOWN ON THE CONTRACT DRAWINGS, AND WHERE SHOWN, THE ACCURACY OF THE POSITION OF SUCH UTILITIES AND STRUCTURES IS NOT GUARANTEED. BEFORE STARTING WORK, DETERMINE THE EXACT LOCATION OF ALL SUCH UTILITIES AND STRUCTURES AND ASSUME ALL LIABILITY FOR DAMAGE TO THEM.

**CLARIDGE HOMES**  
505 PRESTON STREET,  
2ND FLOOR  
OTTAWA, ONTARIO  
K1S 4N7.



**NOT FOR CONSTRUCTION**

No.	REVISION	DATE	BY
4	REVISED SITE PLAN	SEPT 29/23	ARM
3	ISSUED FOR UTILITY COORDINATION	SEPT 20/23	ARM
2	REVISED PER CITY COMMENTS	MAY 26/23	GJM
1	ISSUED IN SUPPORT OF DEVELOPMENT APPLICATIONS	NOV 01/22	GJM

DESIGN	SCALE
ARM	1:750
GJM	
CJF/ARM	
ARM	
GJM	

**FOR REVIEW ONLY**

**PROFESSIONAL ENGINEER**  
A.R. MESTWARP  
100201604  
PROVINCE OF ONTARIO

**PROFESSIONAL ENGINEER**  
G.J. MacDONALD  
100201604  
PROVINCE OF ONTARIO

**NOVATECH**  
Engineers, Planners & Landscape Architects  
Suite 200, 240 Michael Cowpland Drive  
Ottawa, Ontario, Canada K2M 1P6  
Telephone (613) 254-9643  
Facsimile (613) 254-5867  
Website www.novatech-eng.com

<b>LOCATION</b> CITY OF OTTAWA 2510 ST. LAURENT BOULEVARD	
<b>DRAWING NAME</b> EROSION AND SEDIMENT CONTROL PLAN	<b>PROJECT No.</b> 122040
<b>DRAWING No.</b> 122040-ESC	<b>REV#4</b>

M:\2023\122040\CAD\Civil\122040-ESC.dwg, ESC, Sep 27, 2023 - 12:10pm, amestwarp