



Legend / légende

- LIMIT OF WORK
- EXISTING TREES TO REMAIN
- EXISTING TREES TO BE REMOVED
- DECIDUOUS TREE (REFER TO PLANTING SCHEDULE FOR SPECIES AND QUANTITIES)
- ORNAMENTAL GRASS / PERENNIAL PLANTING IN CONTINUOUS MULCHED PLANTING BED
- RIVER ROCK MAINTENANCE EDGE - REFER TO DETAIL 2-L2
- SOD
- BIKE RACK SURFACE MOUNTED TO CONCRETE (TYP. OF 8 - TOTAL CAPACITY OF 16)

**PRELIMINARY**  
NOT FOR CONSTRUCTION

rev'n	description / la description	yyyy/mm/dd
02	issue for submission	2022/12/22
01	issue for internal coordination	2022/12/15
00	issue for internal coordination	2022/06/16

**FOTENN Planning + Design**  
396 Cooper Street, Suite 300  
Ottawa, ON, CANADA K2P 2H7  
613.730.5709  
fotenn.com

north / le nord stamp / le cachet

project / projet

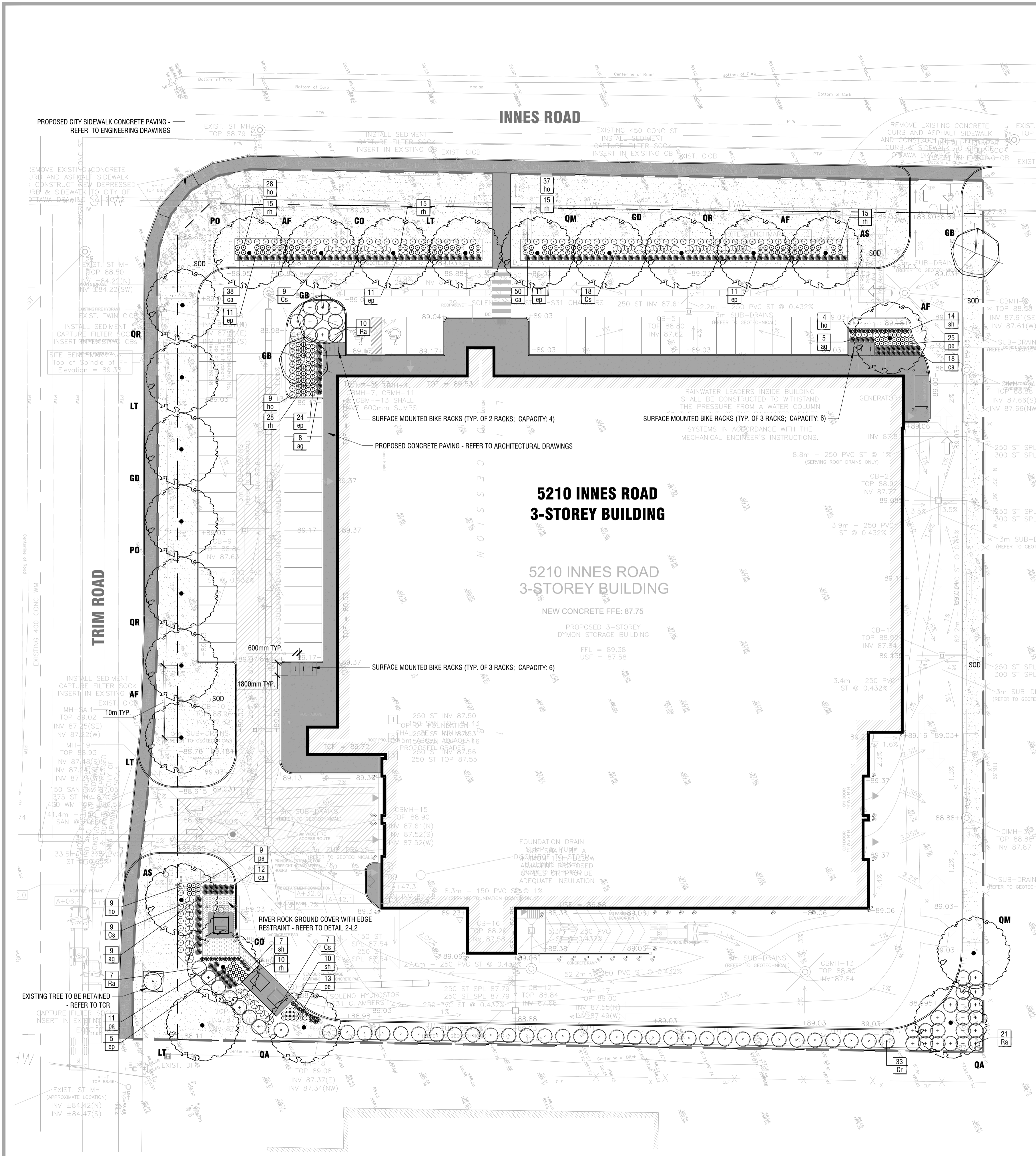
**5210 INNES ROAD**

drawing / dessin

**LANDSCAPE PLAN**

designed / conçu	drawn / dessiné	reviewed / examiné
<b>BM/OM</b>	<b>BM/OM</b>	<b>OM</b>
date		
<b>DEC 2022</b>		
drawing number / No. du dessin		

**L1 of 2**



**NOTES:**

DO NOT SCALE DRAWINGS;

NOTES ARE APPLICABLE TO ALL DRAWINGS IN THE SET;

Fotenn Consultants Inc. IS NOT RESPONSIBLE FOR ACCURACY OF BASE INFORMATION;

REFER TO CIVIL ENGINEERING DRAWINGS FOR GRADING & SITE SERVICING INFORMATION;

REFER TO CIVIL ENGINEERING DRAWINGS FOR PROPOSED CAST IN PLACE CONCRETE RETAINING WALLS;

THE CONTRACTOR IS RESPONSIBLE FOR CONFIRMING SITE CONDITIONS AND REPORTING ANY DISCREPANCIES TO THE LANDSCAPE ARCHITECT;

THE CONTRACTOR IS RESPONSIBLE FOR CONFIRMING EXACT LOCATIONS OF ALL UNDERGROUND SERVICES AND OBTAINING CLEARANCE FROM ALL APPLICABLE UTILITIES. PROPOSED WORKS FOUND TO BE IN CONFLICT WITH UNDERGROUND SERVICES MAY BE ADJUSTED AT THE DIRECTION OF THE LANDSCAPE ARCHITECT;

LANDSCAPE ELEMENTS SHOWN ARE SUBJECT TO THE FINAL LOCATION OF UNDERGROUND SERVICES AND UTILITIES;

DO NOT INSTALL TREES ON PROPERTY / LOT LINES OR WITHIN DRAINAGE EASEMENTS;

PERFORM WORK IN ACCORDANCE WITH DETAILS AND SPECIFICATIONS;

ALL PLANT MATERIAL SHALL BE No. 1 NURSERY STOCK AND SHALL MEET OR EXCEED THE SPECIFICATION OF THE Canadian Standards for Nursery Stock, AS PUBLISHED BY THE Canadian Nursery Landscape Association;

SPECIES SUBSTITUTIONS ARE NOT PERMITTED WITHOUT PRIOR WRITTEN APPROVAL OF THE LANDSCAPE ARCHITECT;

ALL UN-PAVED SURFACES TO RECEIVE 150mm DEPTH TOPSOIL & SOD.

**CITY OF OTTAWA STANDARDS FOR TREE PLANTING:**

MAINTAIN A MINIMUM DISTANCE OF 3.0m FROM ALL HYDRO TRANSFORMERS;  
MAINTAIN A MINIMUM DISTANCE OF 2.5m FROM FIRE HYDRANTS AND NO PLANTING IN FRONT OF HYDRANTS;  
MAINTAIN A MINIMUM DISTANCE OF 1.0m FROM ALL UNDERGROUND SERVICES;  
MAINTAIN A MINIMUM DISTANCE OF 1.0m FROM ALL BELL AND CABLE BOXES;


**IMPORTANT NOTICE FOR CONTRACTOR:**

THE CITY OF OTTAWA REQUIRES A Certificate of Completion (F1) Landscape Works TO BE SUBMITTED AND SEALED BY THE LANDSCAPE ARCHITECT. CONTRACTORS ARE RESPONSIBLE FOR FAMILIARIZING THEMSELVES WITH THE REQUIREMENTS OF THIS PROCESS AND PROVIDING SUFFICIENT NOTICE TO THE LANDSCAPE ARCHITECT TO CONDUCT SITE REVIEWS DURING INSTALLATION OF TREES. THE 1 YEAR WARRANTY PERIOD SHALL NOT COMMENCE UNTIL THE LANDSCAPE ARCHITECT HAS SUBMITTED THE F1 Certificate.

PRIOR TO INSTALLATION OF TREES, THE DEVELOPER WILL CONTACT THE PLANNING AND GROWTH MANAGEMENT AND FORESTRY SERVICES TO REVIEW THE SPECIES AND LOCATION OF TREES.

PLANTING SCHEDULE				
KEY	QTY.	BOTANICAL NAME	COMMON NAME	SIZE / CONDITION / SPACING
<b>DECIDUOUS TREES</b>				
AF	4	<i>Acer x freemanii</i>	Freeman's Maple	70mm cal. / W.B.
AS	2	<i>Acer saccharum</i>	Sugar Maple	70mm cal. / W.B.
CO	2	<i>Carya ovata</i>	Shagbark Hickory	70mm cal. / W.B.
GB	3	<i>Ginkgo Biloba Princeton Sentry</i>	Princeton Sentry Maidenhair Tree	50mm cal. / W.B.
GD	2	<i>Gymnocladus dioica</i>	Kentucky Coffee Tree	70mm cal. / W.B.
LT	4	<i>Liriodendron tulipifera</i>	Tulip Tree	70mm cal. / W.B.
PO	2	<i>Platanus occidentalis</i>	American Planetree (Sycamore)	70mm cal. / W.B.
QA	2	<i>Quercus alba</i>	White Oak	70mm cal. / W.B.
QM	2	<i>Quercus macrocarpa</i>	Burr Oak	70mm cal. / W.B.
QR	3	<i>Quercus rubra</i>	Red Oak	70mm cal. / W.B.
<b>DECIDUOUS SHRUBS</b>				
Cr	33	<i>Cornus racemosa</i>	Gray Dogwood	#3 Pot / 2.5m sp.
Cs	43	<i>Cornus sericea Arctic Fire Farrow</i>	Arctic Fire Red Osier Dogwood	#3 Pot / 1.0m sp.
Ra	38	<i>Rhus aromatica 'Gro-Low'</i>	Fragrant Sumac	#3 Pot / 1.0m sp.
<b>PERENNIALS &amp; GRASSES</b>				
ag	22	<i>Andropogon gerardii</i>	Big Bluestem	#2 Pot / 65cm sp.
ca	118	<i>Calamagrostis acutiflora 'Karl Foerster'</i>	Feather Reed Grass	#2 Pot / 60cm o.c.
ep	73	<i>Echinacea purpurea</i>	Coniflower	#1 Pot / 45cm o.c.
ho	86	<i>Hosta 'Blue Cadet'</i>	Blue Cadet Hosta	#2 Pot / 80cm o.c.
pa	11	<i>Panicum virgatum 'Prairie Fire'</i>	Prairie Fire Switch Grass	#2 Pot / 60cm o.c.
pe	47	<i>Perovskia x 'Little Spire'</i>	Russian Sage	#2 Pot / 60cm o.c.
rh	98	<i>Rudbeckia hirta</i>	Black-eyed Susan	#1 Pot / 60cm o.c.
sh	36	<i>Sporobolus heterolepis</i>	Prairie Dropseed	#2 Pot / 60cm o.c.

**MBR-2300-00001** **ICONIC**



**Sustainability Facts**

Unit Size	One (1) MBR-2300-00001 Bike Rack
Carbon Footprint (CO <sub>2</sub> e)	103 kg CO <sub>2</sub> e
Total energy use (TPE)	2400 MJ-Eq
Water use (WU)	1.9 m <sup>3</sup> water
Material recyclability	100%
LEED v4.1 Credits	1
Type III Environmental Product Declaration	Available
Material Inventory	Available
Low VOC finishes	Available
Free of Red List substances	Available

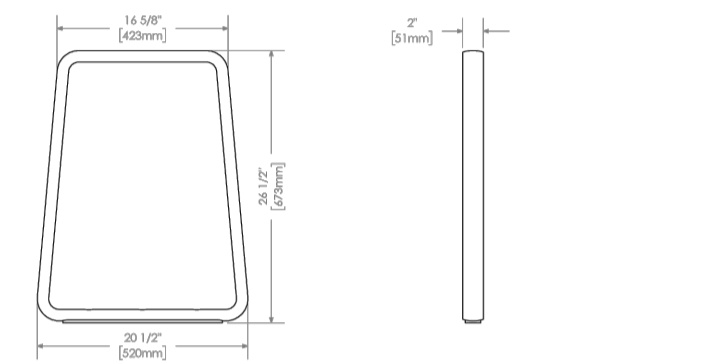
**DESCRIPTION:** 2300 Series - Iconic Bike Rack: Cast Aluminum, Surface Mount, 2 Bike Configuration

**FINISH:** The Maglin Powdercoat System provides a durable finish on all aluminum coatings.

**INSTALLATION:** The bike rack is delivered in parts. Reference INSTALL\_MBR-2300-00001 PDF for more information.

**TO SPECIFY:** Select MBR-2300-00001  
Choose: Powdercoat Color

**HEIGHT:** 26 1/2" (673mm) **LENGTH:** 20 1/2" (520mm) **WIDTH:** 2" (51mm) **WEIGHT:** 16 lbs (7kg)



**MAGLIN** Since 1978

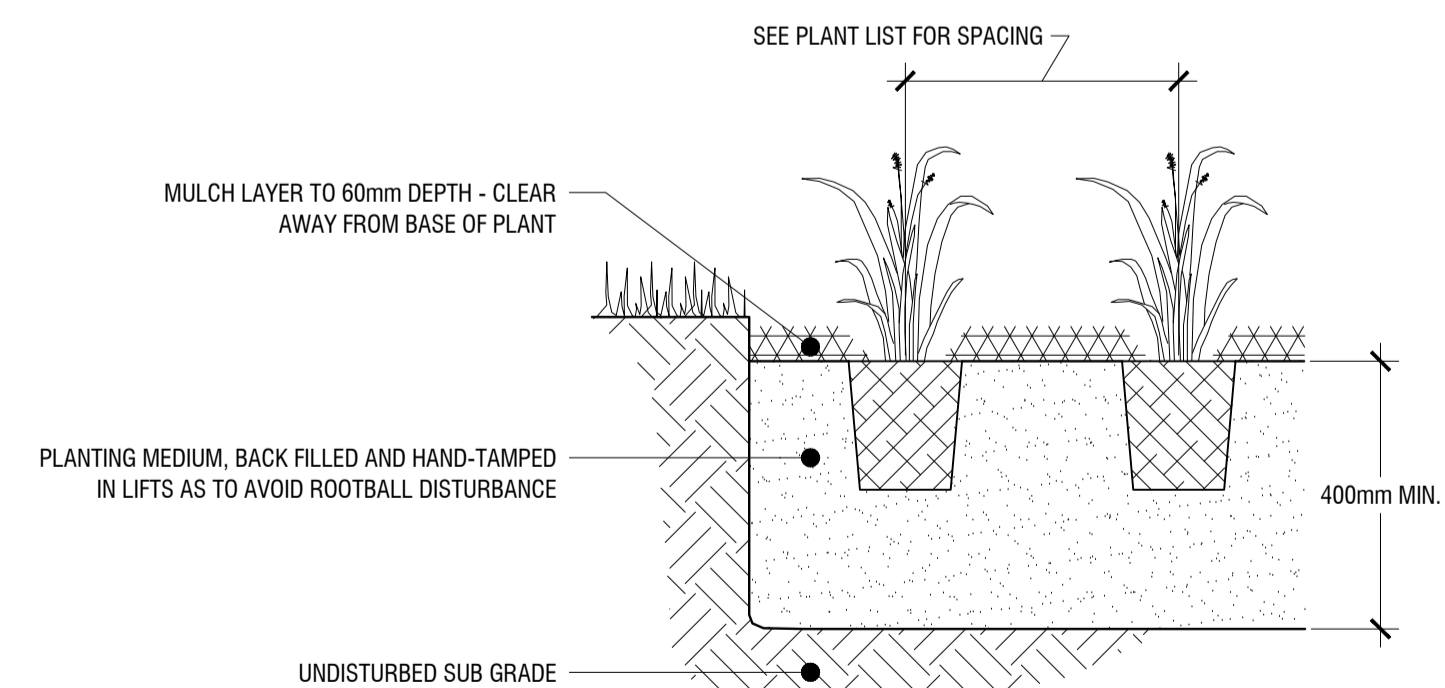
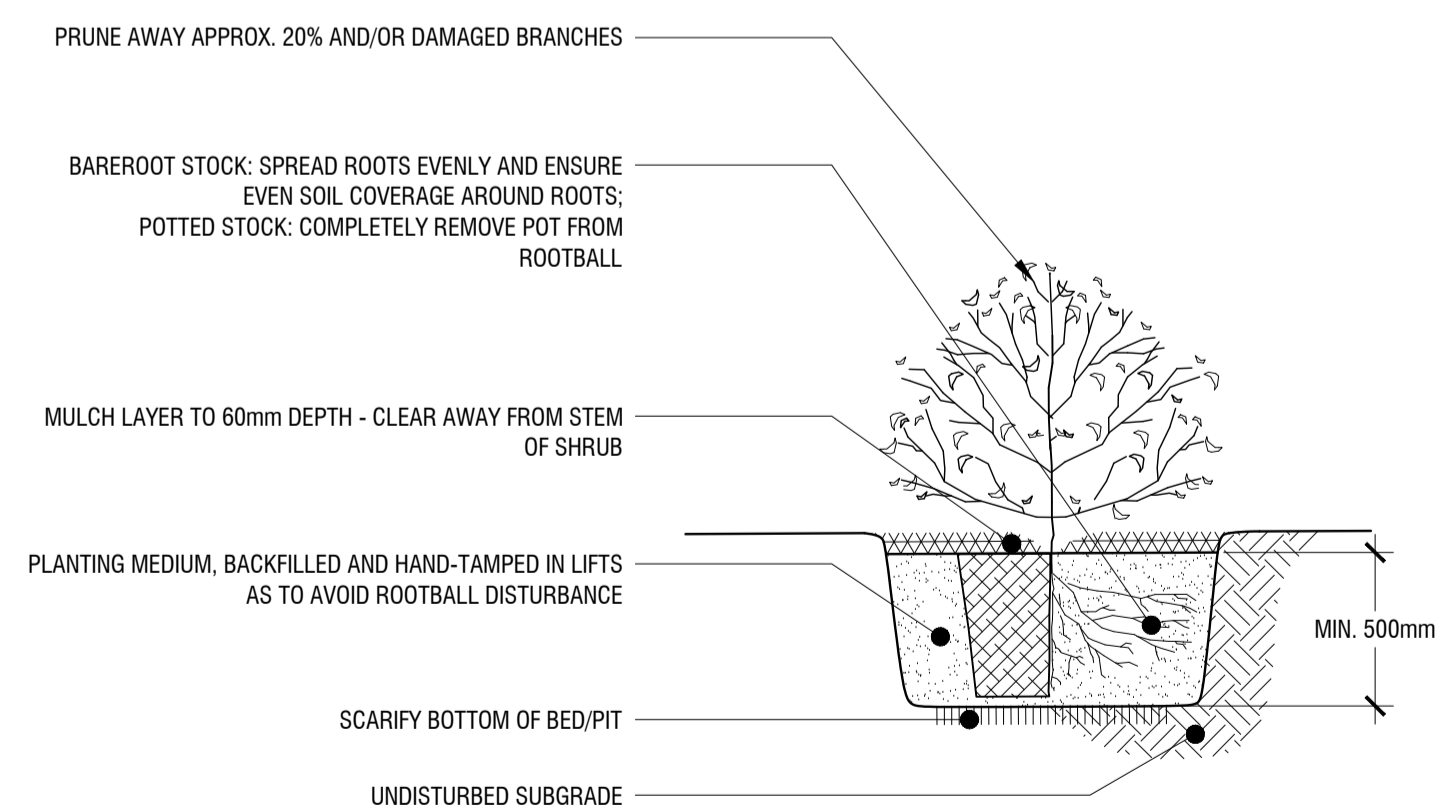
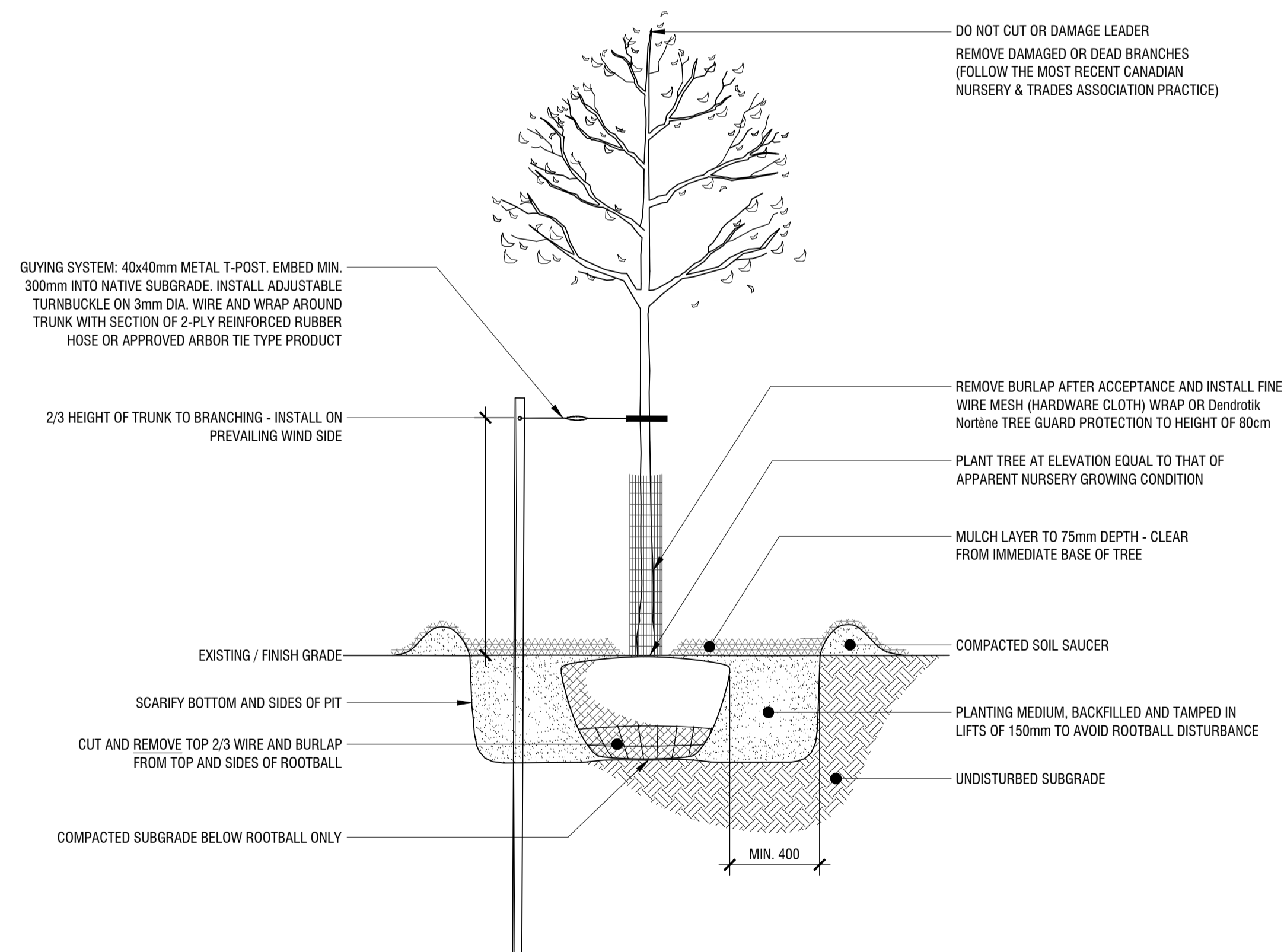
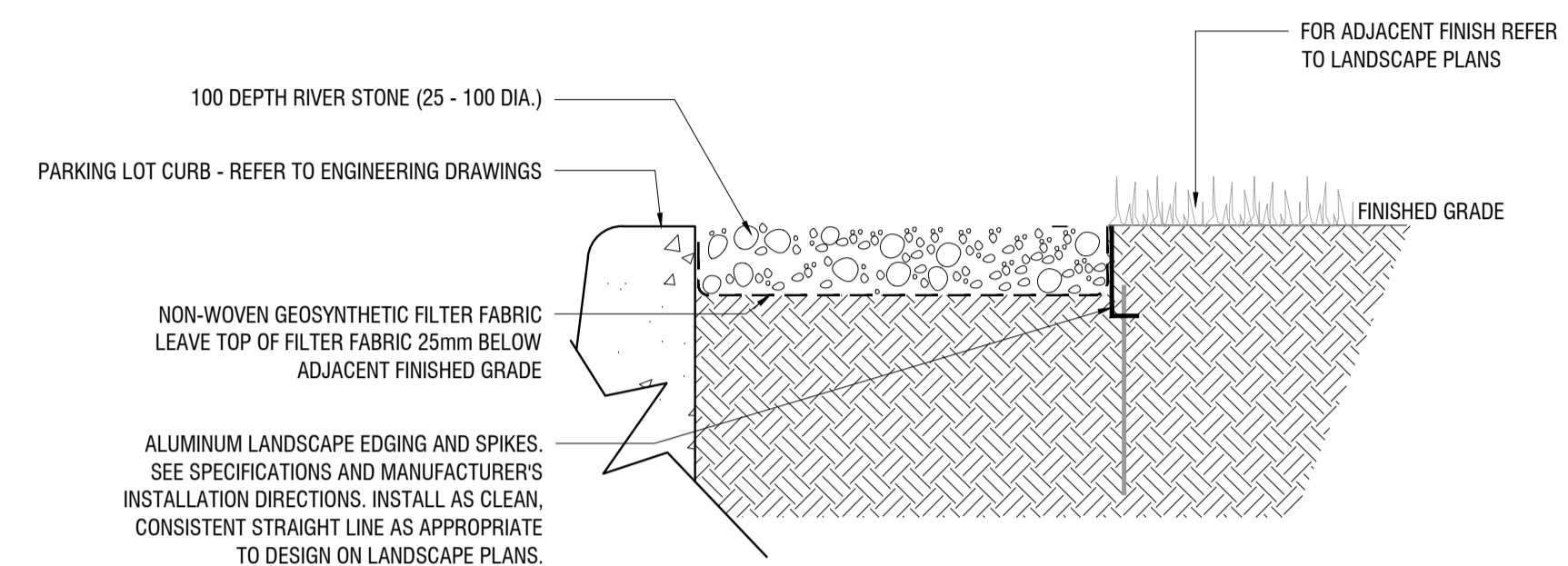
1-800-750-8008  
7-057-100-1000  
www.maglin.com  
info@maglin.com

All drawings, specifications, design and details on this page remain the property of Maglin Bike Furniture Inc. and may not be used without Maglin authorization. Details and specifications may vary due to continuing improvements of our products.

**NOTES:**  
SURFACE MOUNT TO CONCRETE PAVING WITH STAINLESS STEEL, TAMPER PROOF HARDWARE

**1 BIKE RACK**  
**L2 NTS**

**2 RIVER ROCK MAINTENANCE EDGE**  
**L2 NTS**



**3 DECIDUOUS TREE PLANTING DETAIL**  
**L2 1:30**

**4 DECIDUOUS TREE PLANTING DETAIL**  
**L2 1:20**

**5 ORNAMENTAL GRASS/PERENNIAL PLANTING DETAIL**  
**L2 1:10**

Copyright Reserved  
The Copyrights to all designs and drawings are the property of Fotenn Consultants Inc. Unauthorized reproduction or use is forbidden. DO NOT SCALE DRAWING

Copyright réservés  
Les droits d'auteur à tous les modèles et dessins sont la propriété de Fotenn Consultants Inc. Reproduction ou utilisation non autorisée est interdite. NE PAS L'ÉCHELLE DE DESSIN

Client / Client



Legend / légende

**PRELIMINARY**  
NOT FOR CONSTRUCTION

rev'n	description / la description	yyyy/mm/dd
02	issue for submission	2022/12/22
01	issue for internal coordination	2022/12/15
00	issue for internal coordination	2022/06/16

**FOTENN Planning + Design**  
396 Cooper Street, Suite 300  
Ottawa, ON, CANADA K2P 2H7  
613.730.5709  
fotenn.com

north / le nord

stamp / le cachet



project / projet

**5210 INNES ROAD**

drawing / dessin

**LANDSCAPE DETAILS**

designed / conçu	drawn / dessiné	reviewed / examiné
BM/OM	BM/OM	OM

date  
**DEC 2022**

drawing number / No. du dessin

**L2 of 2**