

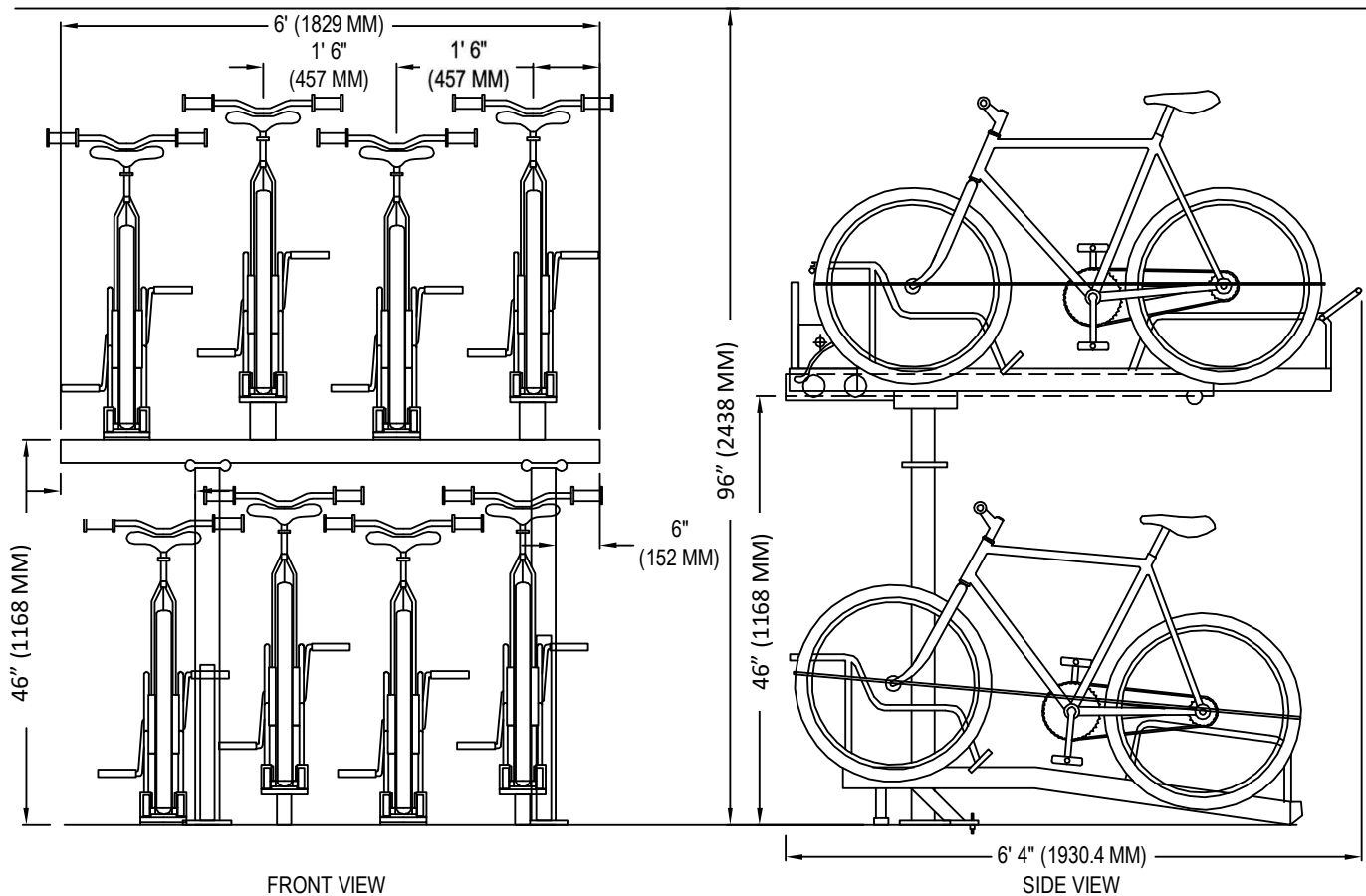
SELECT DESIRED SIZE:

- 8 BIKES, 84" (2132 MM) SECTIONS (SHOWN)
- 8 BIKES, 6' (1829 MM) SECTIONS
- 2 BIKES, SINGLE SECTIONS

SELECT DESIRED SPACE USE/SETBACKS:

- 23.6" (600MM) CENTER TO CENTER
- 18" (457 MM) CENTER TO CENTER (SHOWN)

**NEW CUSTOM
 SIZE**



FRONT VIEW

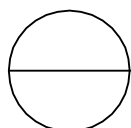
SIDE VIEW

FEATURES:

- MATERIAL: HSS STEEL
- FINISH: HOT DIPPED GALVANIZED

NOTES:

1. INSTALLATION TO BE COMPLETED IN ACCORDANCE WITH MANUFACTURER'S SPECIFICATIONS.
2. DO NOT SCALE DRAWING.
3. THIS DRAWING IS INTENDED FOR USE BY ARCHITECTS, ENGINEERS, CONTRACTORS, CONSULTANTS AND DESIGN PROFESSIONALS FOR PLANNING PURPOSES ONLY. THIS DRAWING MAY NOT BE USED FOR CONSTRUCTION.
4. ALL INFORMATION CONTAINED HEREIN WAS CURRENT AT THE TIME OF DEVELOPMENT BUT MUST BE REVIEWED AND APPROVED BY THE PRODUCT MANUFACTURER TO BE CONSIDERED ACCURATE.
5. CONTRACTOR'S NOTE: FOR PRODUCT AND COMPANY INFORMATION VISIT www.CADdetails.com/info AND ENTER REFERENCE NUMBER 4238-007.



STACKABLE BIKE RACKS

SINGLE STACKABLE BIKE RACK, 18" CENTER TO CENTER - DRAWING 1