

NOTES

1. TO BE READ IN CONJUNCTION WITH DRAWINGS PREPARED BY SITE SERVICING ENGINEER AND LANDSCAPE ARCHITECT. REFER TO SITE SERVICES/GRADING DRAWINGS FOR GRADING INFORMATION AND DRAINAGE.
2. FIRE ROUTES SHALL BE DESIGNED IN ACCORDANCE WITH APPLICABLE OBC REQUIREMENTS; MIN. WIDTH 6m AND MIN. TURNING RADIUS OF 12m; INTERIOR TURNING RADIUS OF 9m AND OUTSIDE TURNING RADIUS OF 15m.
3. FIRE ROUTES OVER PARKING GARAGE SHALL BE DESIGNED TO SUPPORT THE 500 KPA LOADING REQUIREMENT IDENTIFIED IN NFPA 1301.
4. FIRE ROUTES SHALL BE DESIGNED TO SUPPORT EXPECTED LOADS IMPOSED BY FIREFIGHTING EQUIPMENT AND MEET THE REQUIREMENTS OF THE CANADIAN HIGHWAY BRIDGE CODE, AND SHALL BE SURFACED IN ORDER TO BE ACCESSIBLE UNDER ALL CLIMATIC CONDITIONS.

KEY PLAN

REVISION

NO.	DATE	DESCRIPTION
1	23-03-24	ISSUED FOR SITE PLAN APPROVAL

LEGEND

- MAIN PEDESTRIAN ENTRY
- PEDESTRIAN ENTRY
- PEDESTRIAN EGRESS
- VEHICULAR ENTRY
- PROPOSED ELEVATION
- SIAMESE CONNECTION
- FIRE HYDRANT
- LIGHT POST
- CATCH BASIN / MAN-HOLE COVER
- FIRE ACCESS ROUTE
- OUTLINE OF UPPER TOWER FACADE
- OUTLINE OF LOWER TOWER FACADE
- OUTLINE OF PODIUM FACADE

STRUCTURAL ENGINEER:
Art Engineering
171 Walgreen Rd
Carp, K0A 1L0
T/613-836-0632

MECHANICAL ENGINEER:
Mechanical Consultant
Street Address
City Post Code
T/xxxx.xxxxxx F/xxxx.xxxxxx

ELECTRICAL ENGINEER:
Electrical Consultant
Street Address
City Post Code
T/xxxx.xxxxxx F/xxxx.xxxxxx

WIND + NOISE CONSULTANT:
Gradient Wind
127 Walgreen Rd
Carp, K0A 1L0
T/613-836-0934

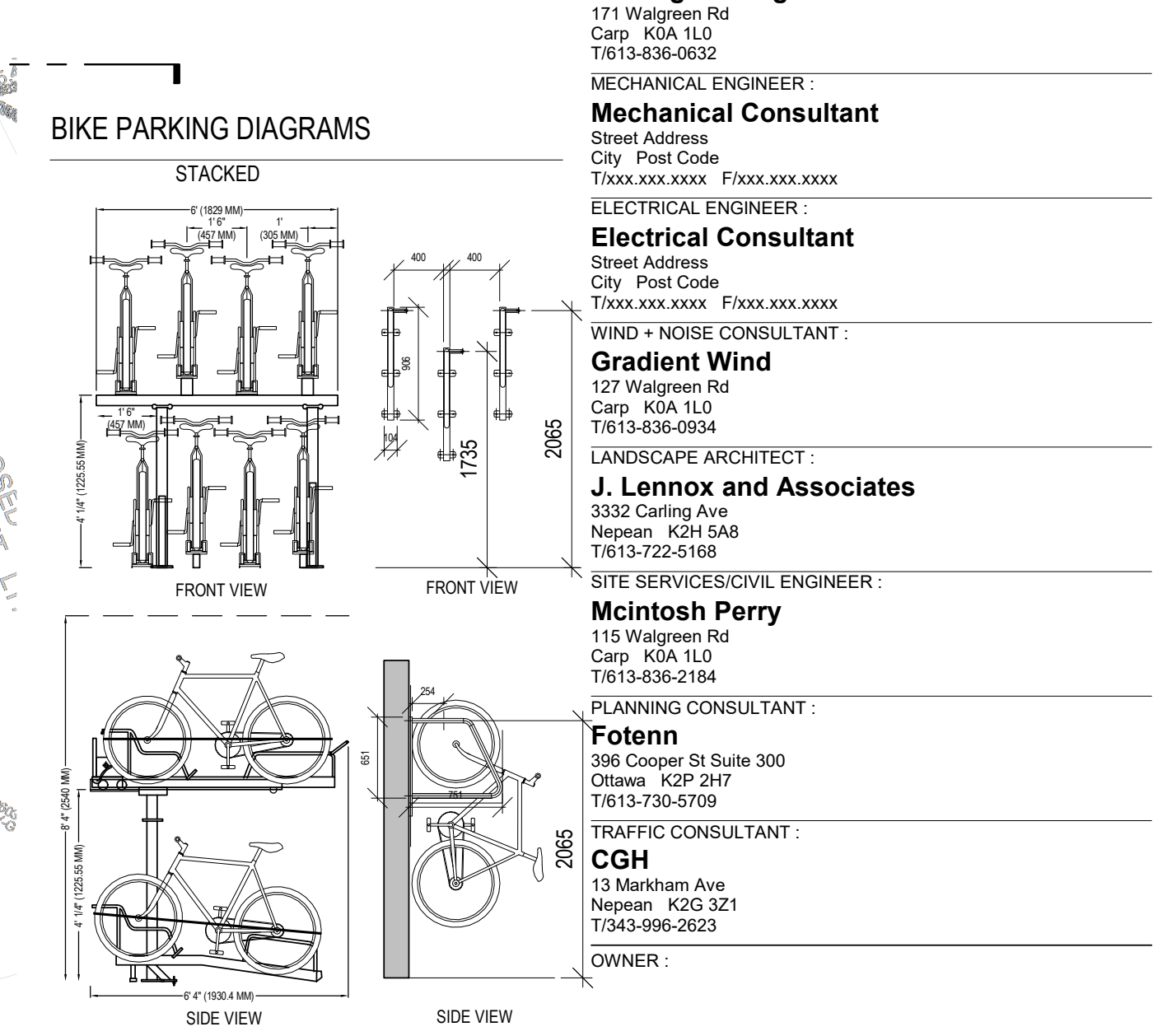
LANDSCAPE ARCHITECT:
J. Lennox and Associates
3332 Carling Ave
Nepean, K2H 5A8
T/613-722-5168

SITE SERVICES/CIVIL ENGINEER:
McIntosh Perry
115 Walgreen Rd
Carp, K0A 1L0
T/613-836-2184

PLANNING CONSULTANT:
Fotenn
396 Cooper St Suite 300
Ottawa, K2P 2H7
T/613-730-5709

TRAFFIC CONSULTANT:
CGH
13 Markham Ave
Nepean, K2G 3Z1
T/343-996-2623

OWNER:



PARKING SPACE LEGEND

TYPICAL 5500X2600

PARALLEL 6700X2600

AODA TYPICAL 5600X3400

BAYVIEW GROUP
108 Chestnut Street
Toronto M5G 1R3
T/(416)-597-6368

PROJECT:
CENTRUM

265 CENTRUM BLVD
ORLÉANS, ON
K1E 3X7

SHEET CONTENTS:
SITE PLAN

PROJECT NUMBER:
2211080

DRAWING SCALE:
As indicated

DRAWN BY: Author
CHECKED BY: Checker
DATE: 01/19/23

SHEET NO.: A010
REV: 1