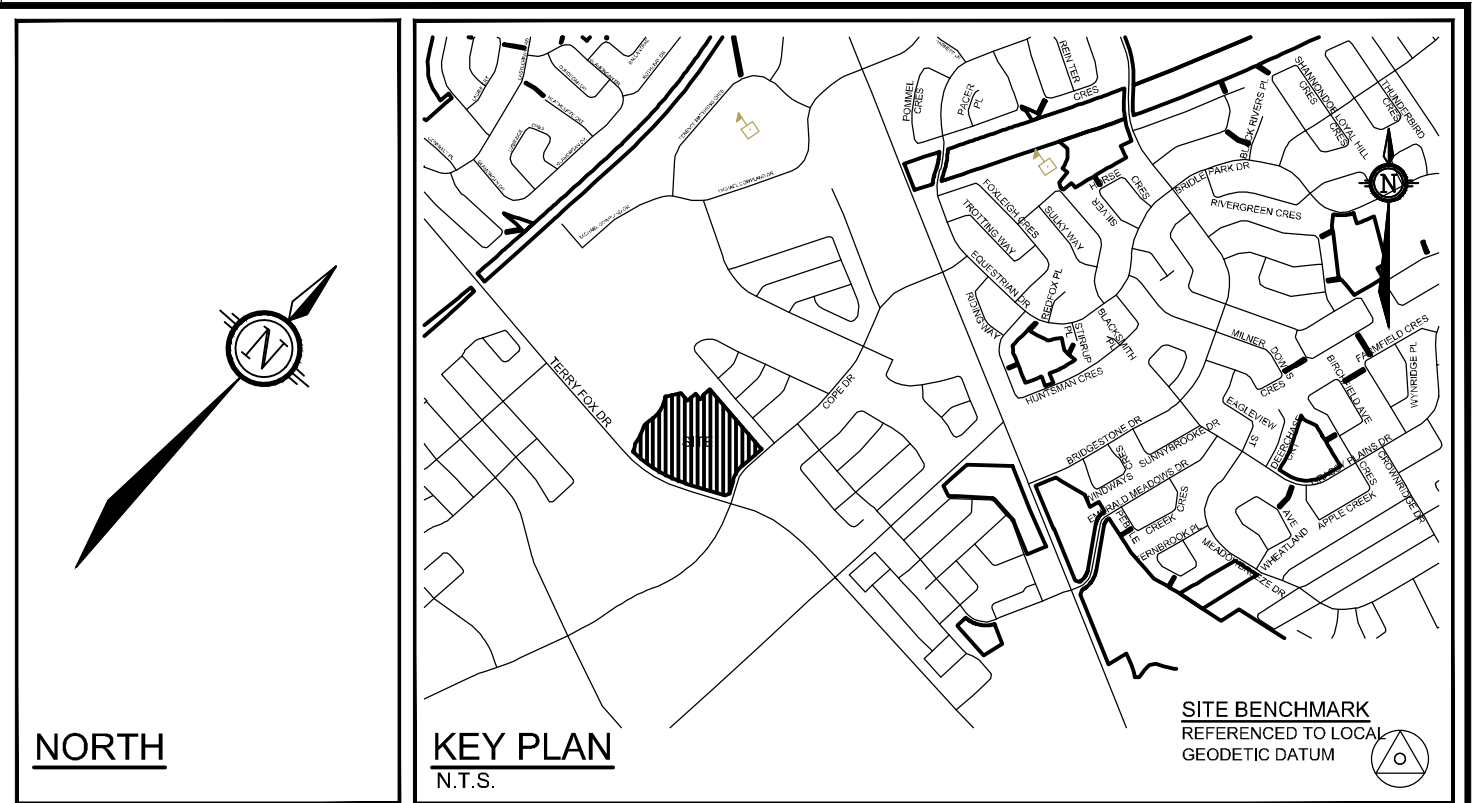
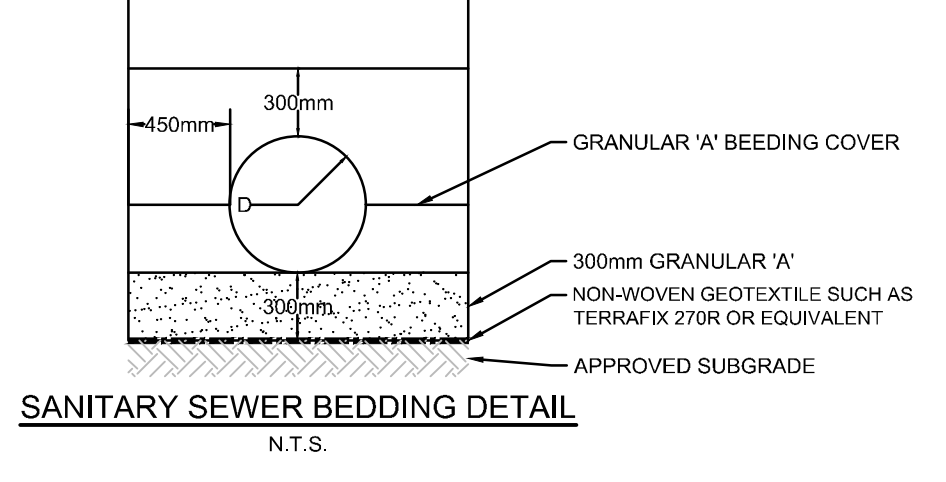


REFER TO 117198-GP1 FOR CONTINUATION



- LEGEND**
- PROPERTY LINE
 - CURB CW CONTINUOUS SUBDRAIN PER CITY DETAIL R1 SUBDRAIN TO BE 300mm BELOW SUBGRADE AND RUN LONGITUDINAL ALONG CURBLINES
 - DEPRESSED CURB PER STANDARD SC1.3
 - CURB CW 1.5m SIDEWALK
 - PROPOSED TWSI
 - PROPOSED SANITARY MANHOLE
 - PROPOSED STORM MANHOLE
 - PROPOSED CATCH BASIN MANHOLE
 - PROPOSED CATCH BASIN
 - PROPOSED CATCH BASIN WITH CLOSED LID
 - PROPOSED CATCH BASIN WITH INLET CONTROL DEVICE
 - PROPOSED LANDSCAPE TEE CATCH BASIN
 - PROPOSED LANDSCAPE ELBOW CATCH BASIN
 - PROPOSED STORM SEWER AND FLOW DIRECTION
 - PROPOSED SANITARY SEWER AND FLOW DIRECTION
 - PROPOSED SWALE AND SUBDRAIN
 - 200mm Ø WM PROPOSED WATERMAIN AND DIAMETER
 - ⊕ V&VB PROPOSED VALVE & VALVE BOX
 - ⊕ V&VC VALVE & VALVE CHAMBER
 - ⊕ PROPOSED HYDRANT C/W VALVE & LEAD
 - TIF = 90.45 PROPOSED TOP OF BOTTOM FLANGE
 - PROPOSED BEND AND THRUSTBLOCK 11.25°/22.5°/45°/90° TEE
 - ▲ PROPOSED SERVICE LATERALS PER CITY DETAIL S11.3 (JOINT TRENCH)
 - PROPOSED NOISE WALL (REFER TO NOISE REPORT FOR DETAILS)
 - 20m MONAHAN DRAIN SETBACK
 - TOP OF SLOPE
 - EXISTING WATERMAIN C/W VALVE & VALVE BOX
 - EXISTING HYDRANT C/W VALVE & LEAD
 - EXISTING SANITARY MANHOLE & SEWER
 - EXISTING STORM MANHOLE & SEWER
 - EXISTING CATCH BASIN
 - EXISTING CATCH BASIN MANHOLE



REFER TO 117198-GP1 FOR CB,RYCB AND LANDSCAPE TEE INFORMATION

REFER TO 117198-ND1 FOR ADDITIONAL NOTES & DETAILS

NOTE:
THE POSITION OF ALL POLE LINES, CONDUITS, WATERMANS, SEWERS AND OTHER UNDERGROUND AND OVERGROUND UTILITIES AND STRUCTURES IS NOT NECESSARILY SHOWN ON THE CONTRACT DRAWINGS, AND WHERE SHOWN, THE ACCURACY OF THE POSITION OF SUCH UTILITIES AND STRUCTURES IS NOT GUARANTEED. BEFORE STARTING WORK, DETERMINE THE EXACT LOCATION OF ALL SUCH UTILITIES AND STRUCTURES AND ASSUME ALL LIABILITY FOR DAMAGE TO THEM.

No.	REVISION	DATE	BY	No.	REVISION	DATE	BY
15.	REVISED PER ZONING SETBACK UPDATES	AUG 16/23	GJM	7.	REVISED PER CITY COMMENTS	APR 22/22	GJM
14.	REVISED PER UPDATED LOT FABRIC	JULY 28/23	GJM	6.	ADDENDUM #8	MAR 16/22	GJM
13.	REVISED PER CITY COMMENTS	OCT 05/22	GJM	5.	ADDENDUM #3 - PRIVACY FENCE/LOT NUMBERING	FEB 23/22	GJM
12.	REVISED PER CITY COMMENTS	AUG 15/22	GJM	4.	ISSUED FOR TENDER	FEB 1/22	GJM
11.	ADDITION OF STREET NAMES	JUL 14/22	GJM	3.	ISSUED PER CITY COMMENTS AND ISSUED FOR ECA	DEC 07/21	GJM
10.	REVISED PER CITY COMMENTS	JUN 30/22	GJM	2.	ISSUED FOR COORDINATION	AUG 19/21	GJM
9.	ISSUED FOR CONSTRUCTION	MAY 10/22	GJM	1.	ISSUED WITH GEOMETRIC ROAD DESIGN AND SITE PLAN UPDATES	JUN 30/21	GJM
				1.	ISSUED FOR DESIGN SUBMISSION PER DRAFT PLAN APPROVAL	MAY 14/21	GJM

SCALE	DESIGN	CHECKED	DESIGN	CHECKED	APPROVED
1:500	LSC	GJM	LSC	JAG	GJM

NOVATECH
Engineers, Planners & Landscape Architects
Suite 200, 240 Michael Cowpland Drive
Ottawa, Ontario, Canada K2M 1P6
Telephone: (613) 254-9643
Facsimile: (613) 254-5867
Website: www.novatech-eng.com

LOCATION: CITY OF OTTAWA
VAN GAAL LANDS - CLARIDGE DEVELOPMENT
DRAWING NAME: GENERAL PLAN OF SERVICES (SOUTH)
PROJECT No.: 117198
REV # 15
DRAWING No.: 117198-GP2

D:\07117198-GP2\Drawings\117198-GP2.dwg, GP2, Aug 15, 2023, 11:38am, gped

D07-12-21-0160