

**OWNER:**  
**TRIM WORKS DEVELOPMENT LTD.**  
110 Place d'Orleans Drive  
Orleans, ON K1C 2L9

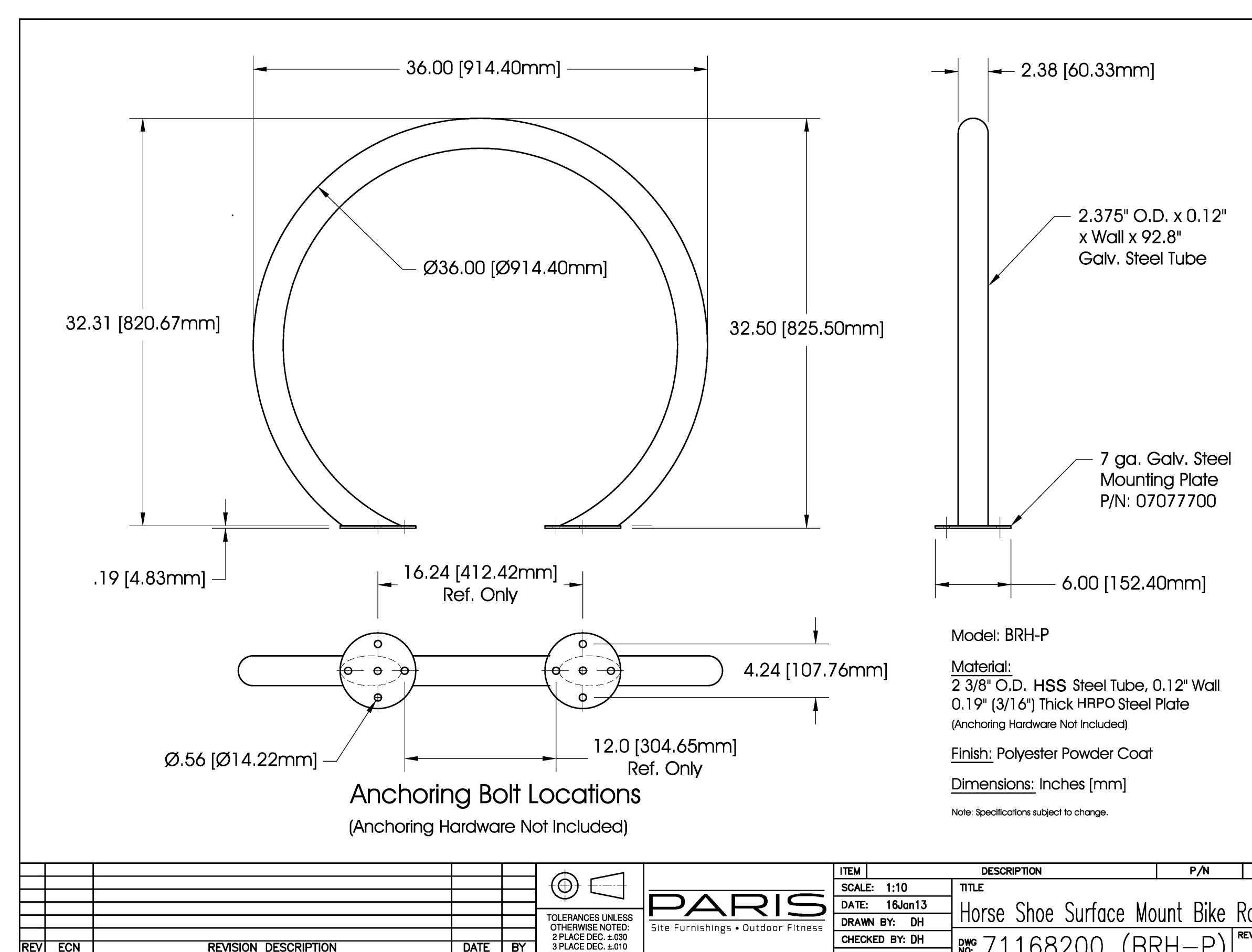
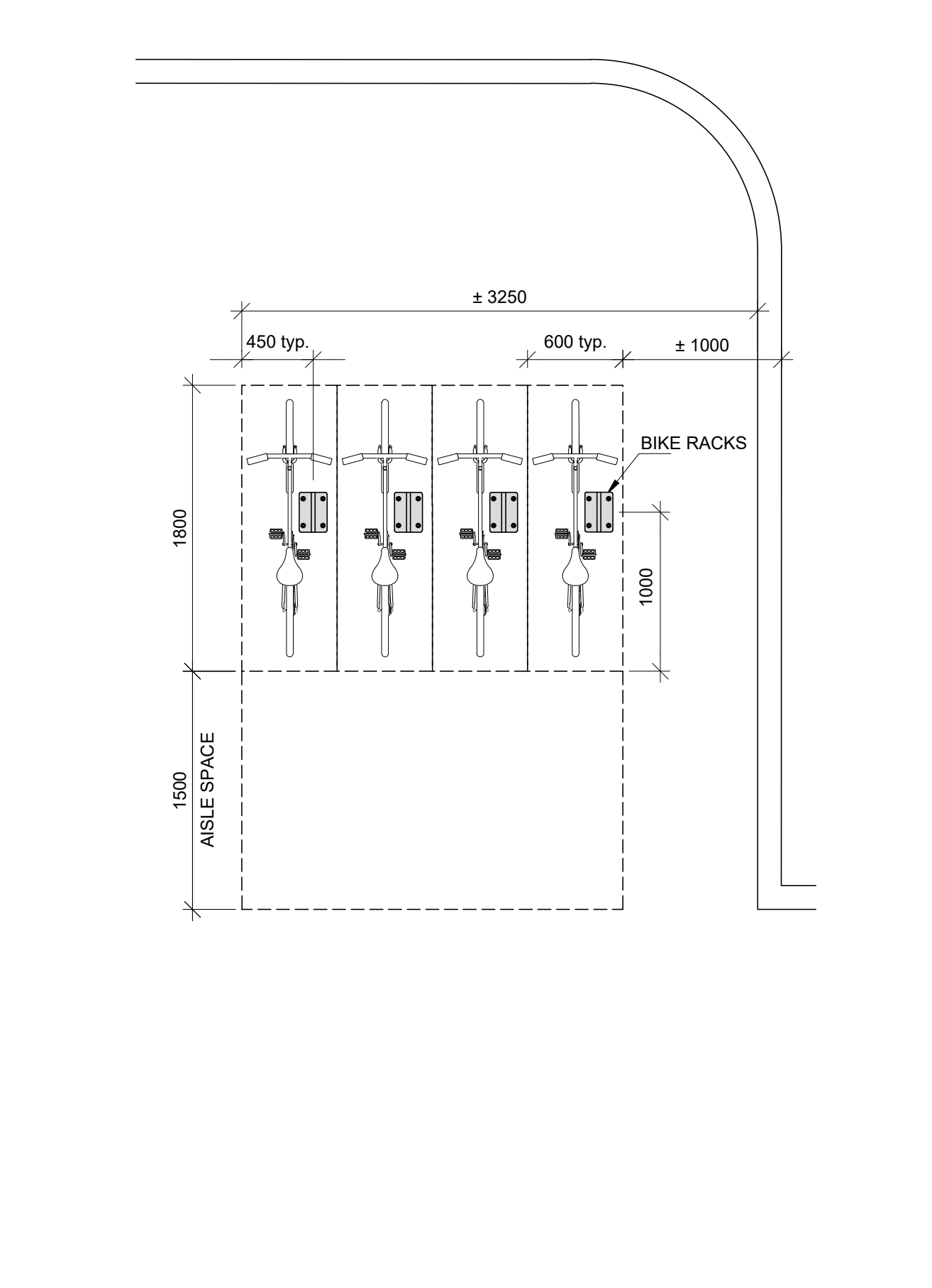
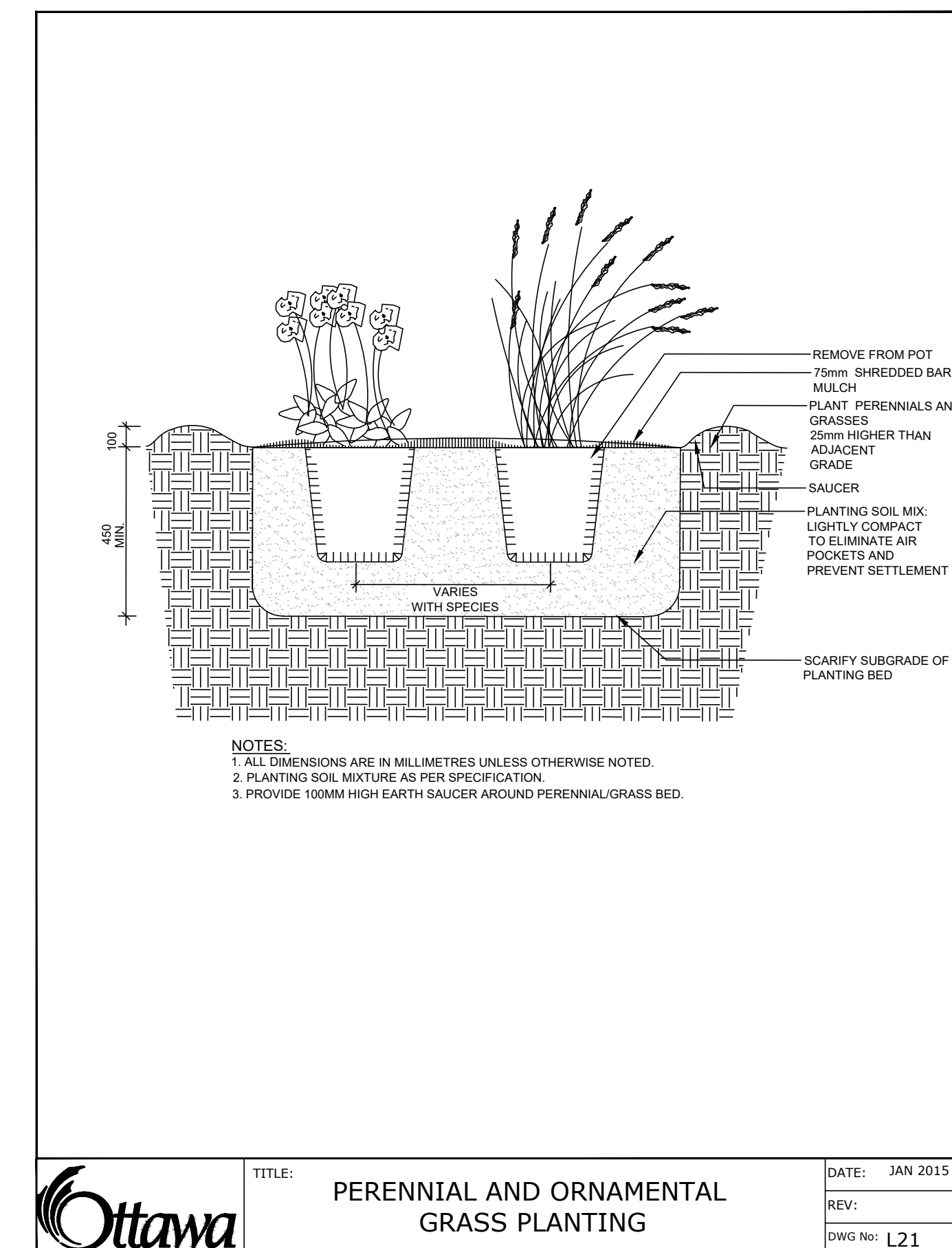
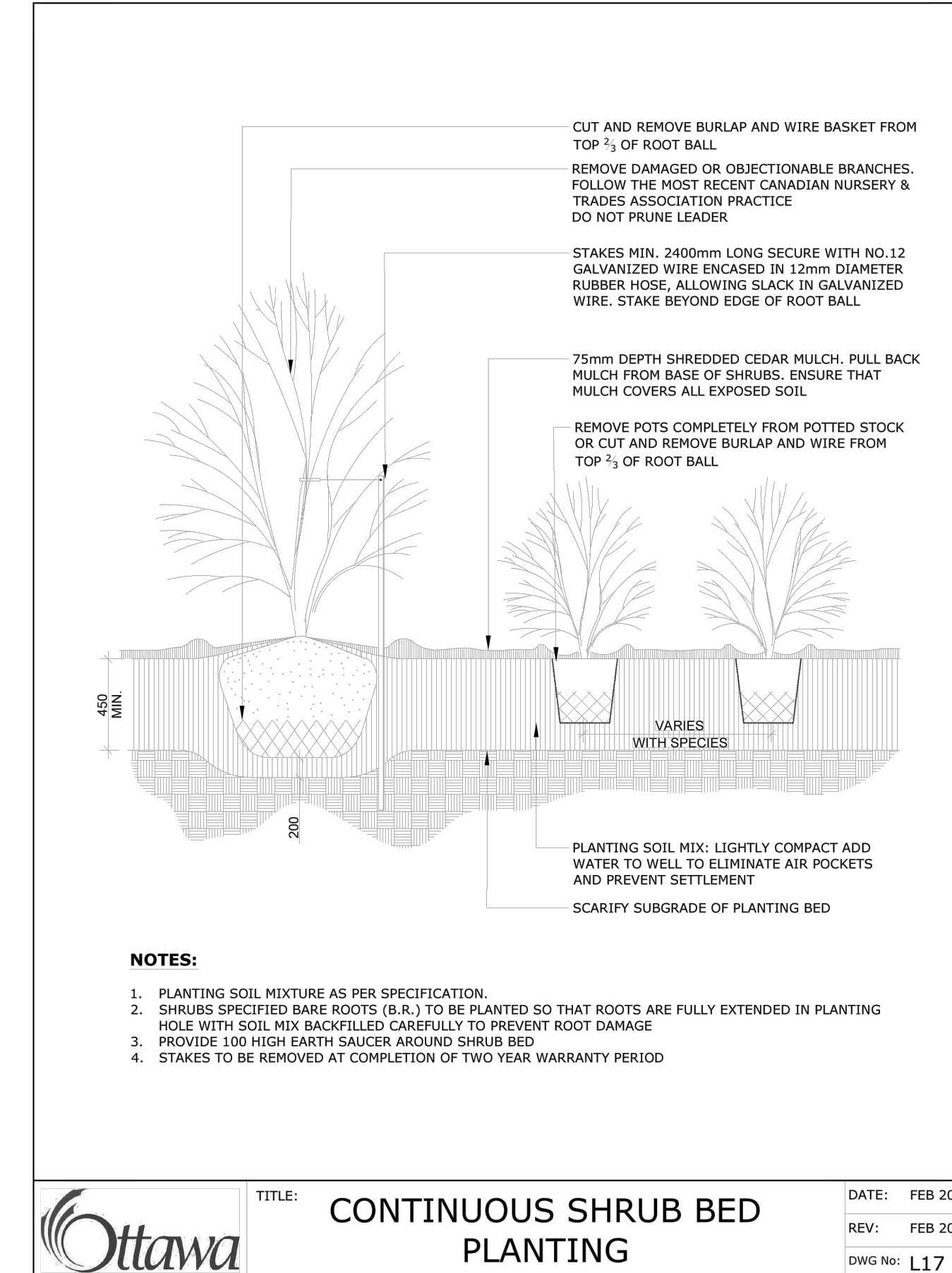
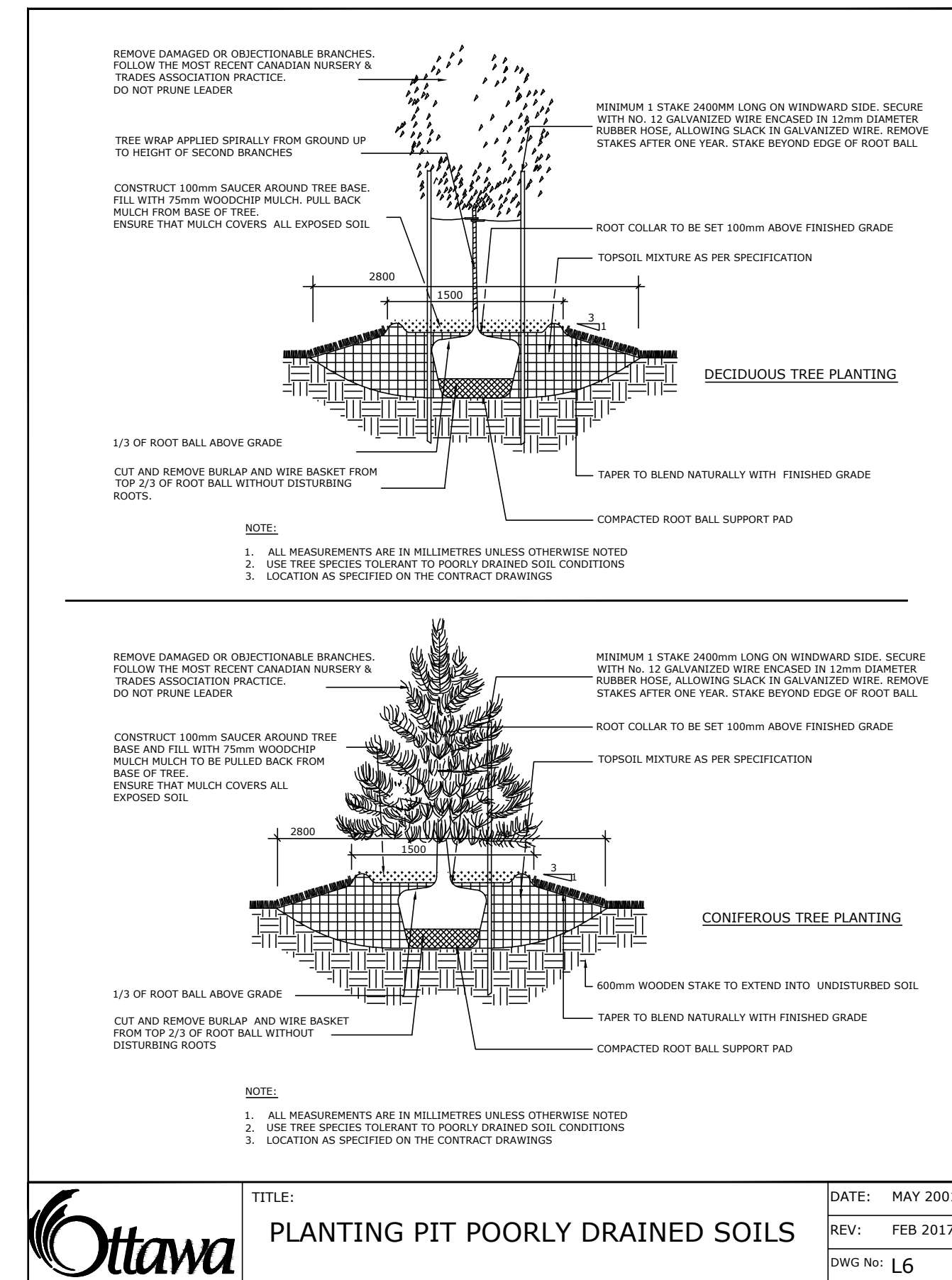
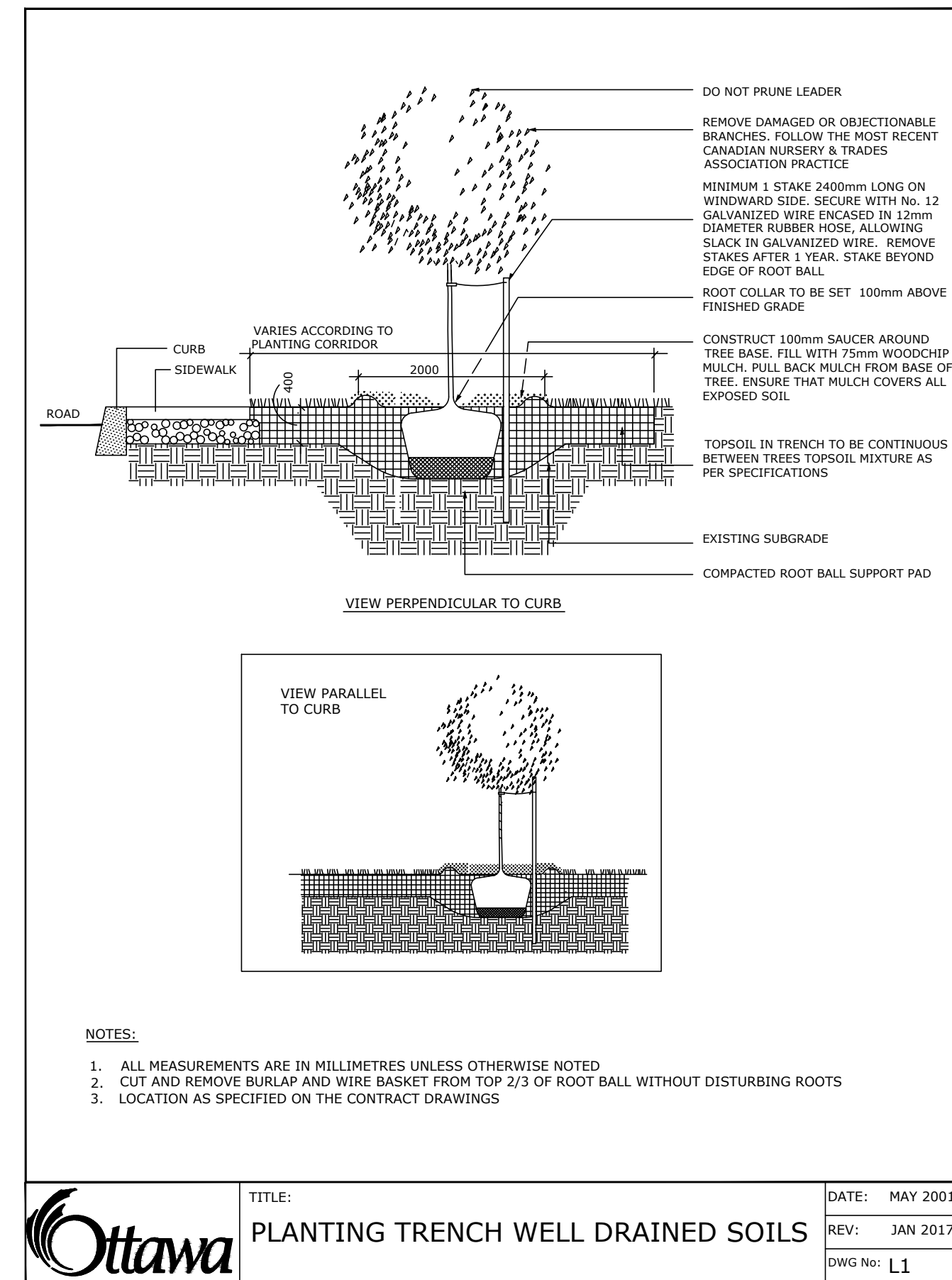
**PLANNING CONSULTANT:**  
**Q9 PLANNING + DESIGN**  
C-43 Eccles Street  
OTTAWA, ON K1R 6S3

**CIVIL ENGINEER:**  
**LRL ENGINEERING**  
5430 Canotek Road  
Ottawa, ON K1J 9G2

**LANDSCAPE ARCHITECTS:**  
**RUHLAND & ASSOCIATES LTD.**  
200-1750 Courtwood Crescent  
Ottawa, ON K2C 2B5

**TRAFFIC ENGINEERING**  
**J.L.RICHARDS & ASSOCIATES LTD.**  
1000-343 Preston Street  
Ottawa, ON K1J 1N4

**NOTES:**  
TREES ARE TO BE INSTALLED AS PER CITY STANDARD DETAILS; SOIL VOLUME AS PER BELOW NOTES AND MATRIX ON SHEET L-01.  
- STANDARD TREE SOIL VOLUMES QUANTITIES INCLUDE THE TOP 900-1000mm OF SOIL/EXISTING SUBSOIL LAYER TO CALCULATE TOTAL SOIL VOLUMES REQUIRED BY THE CITY OF OTTAWA FOR SUSTAINABLE TREE GROWTH. WHERE LARGER SOFT AREAS ARE AVAILABLE, THE TOP 400-500mm LAYER IS USED TO CALCULATE SOIL VOLUMES.  
- WHERE EXISTING MATERIAL BELOW THE SPECIFIED TOPSOIL IS NOT CONDUCTIVE TO TREE GROWTH, AN ADDITIONAL LAYER OF PLANTING MEDIUM IS TO BE INSTALLED BELOW SPECIFIED TOPSOIL DEPTH TO OBTAIN THE SOIL VOLUME DEPTH REQUIRED.  
- REFER TO SOIL VOLUME MATRIX AND PLANS FOR AREA WHERE TREE SOIL VOLUMES ARE REQUIRED.



7		
6		
5		
4	Re-issued for Site Plan Control	2024/06/27
3	Re-issued for Site Plan Control	2024/01/18
2	Issued for Site Plan Control	2023/10/26
1	Issued for Site Plan Control	2023/10/16

no.	issue / revision	date
North	seal	



**Ruhland & Associates Ltd**  
200-1750 Courtwood Crescent, Ottawa, Ontario K2C 2B5  
P (613) 224-4744 x 232 F (613) 224-1131 info@rala.ca www.rala.ca

project  
**PLAZA TRIM WORKS DEVELOPMENT**  
LEGAL DESCRIPTION:  
PART OF LOT 30 CONCESSION 1 TOWNSHIP OF CUMBERLAND

scale	NTS	drawn by	M. Malkov	designed by	R. Ruhland
date	Sep. 2023	checked by	R. Ruhland	plot date	
project number	23-1713	drawing number	L - 03		
			Landscape Details		

Contractor to check and verify all dimensions on the job