

THE SILTATION CONTROL PLAN IS INTENDED TO ASSIST THE CONTRACTOR IN THE LAYOUT AND CONSTRUCTION OF THE SILTATION CONTROL FEATURES ONLY. THIS DRAWING SHALL NOT BE USED FOR CONSTRUCTION OF SITE SERVICES.

**MONITORING OF SEDIMENT AND EROSION CONTROLS**  
 MONITORING AND REPORTING TO BE COMPLETED IN ACCORDANCE WITH THE MINISTRY OF THE ENVIRONMENT, CONSERVATION, AND PARKS (MECP) AND CONSERVATION AUTHORITY REGULATIONS.

**MAINTENANCE PROGRAM**  
 ALL DAMAGED ESC MEASURES SHOULD BE REPAIRED AND/OR REPLACEMENT WITHIN 48 HOURS OF THE INSPECTION. THE ENVIRONMENTAL MONITOR IS REQUIRED TO SUBMIT UPDATES TO THE CITY/ REGION/ CONSERVATION AUTHORITY BY EMAIL IN A TIMELY MANNER. SEDIMENT SHOULD BE REMOVED FROM THE SEDIMENT CONTROL FENCING ONCE SEDIMENT HAS ACCUMULATED TO A LEVEL OF ONE-THIRD THE HEIGHT OF FENCING OR TO A HEIGHT OF 30 cm. ANY AMOUNT OF ACCUMULATED SEDIMENT SHOULD BE REMOVED PRIOR TO THE REMOVAL OF THE CONTROL MEASURES.

**EROSION AND SEDIMENT CONTROL NOTES:**

PRIOR TO TOPSOIL STRIPPING, EARTHWORKS, OR UNDERGROUND CONSTRUCTION, EROSION AND SEDIMENT CONTROLS SHALL BE IMPLEMENTED TO THE SATISFACTION OF THE AUTHORITY HAVING JURISDICTION.

SEDIMENT CONTROL FENCE SHALL BE CLEANED AND MAINTAINED IN GOOD REPAIR BY CONTRACTOR.

SEDIMENT CONTROL FENCE TO REMAIN IN PLACE UNTIL THE WORKING AREA HAS BEEN STABILIZED AND REVEGETATED.

ACCUMULATED SEDIMENT TO BE REMOVED OFF SITE PRIOR TO THE REMOVAL OF SEDIMENT CONTROL FENCE.

EROSION AND SEDIMENT CONTROL MEASURES MAY BE MODIFIED IN THE FIELD AT THE DISCRETION OF THE CITY OF OTTAWA SITE INSPECTOR OR CONSERVATION AUTHORITY PERSONNEL.

CONTRACTOR MUST USE BEST MANAGEMENT PRACTICES (BMPs) FOR EROSION AND SEDIMENT CONTROL.

**LEGEND**

- PROPOSED SILT FENCE
- MAJOR OVERLAND FLOW DIRECTION
- STORM DRAIN INLET PROTECTION

**NOT FOR CONSTRUCTION**

**TOPOGRAPHIC INFORMATION**  
 TOPOGRAPHIC INFORMATION PROVIDED BY J.D. BARNES LIMITED  
 PROJECT No. 16-10-116-00. SURVEYS DATED NOVEMBER 30, 2017.  
 PROJECT No. 16-10-116-00\_PH2. SURVEYS DATED SEPTEMBER 27, 2019.  
 PROJECT No. 22-10-030-01. SURVEYS DATED JUNE 21, 2023.

**SITE PLAN INFORMATION**  
 SITE PLAN PROVIDED BY G4 ARCHITECTS, DATED ON AUGUST 6, 2024.

**ELEVATION NOTE**  
 ELEVATIONS ARE GEODETIC AND ARE DERIVED FROM SITE BENCHMARK NCC CONTROL POINT 001196530229.  
 ELEVATION = 86.12 m

No.	BY	DATE	DESCRIPTION
1	S.L.M.	2024-08-30	1st SUBMISSION



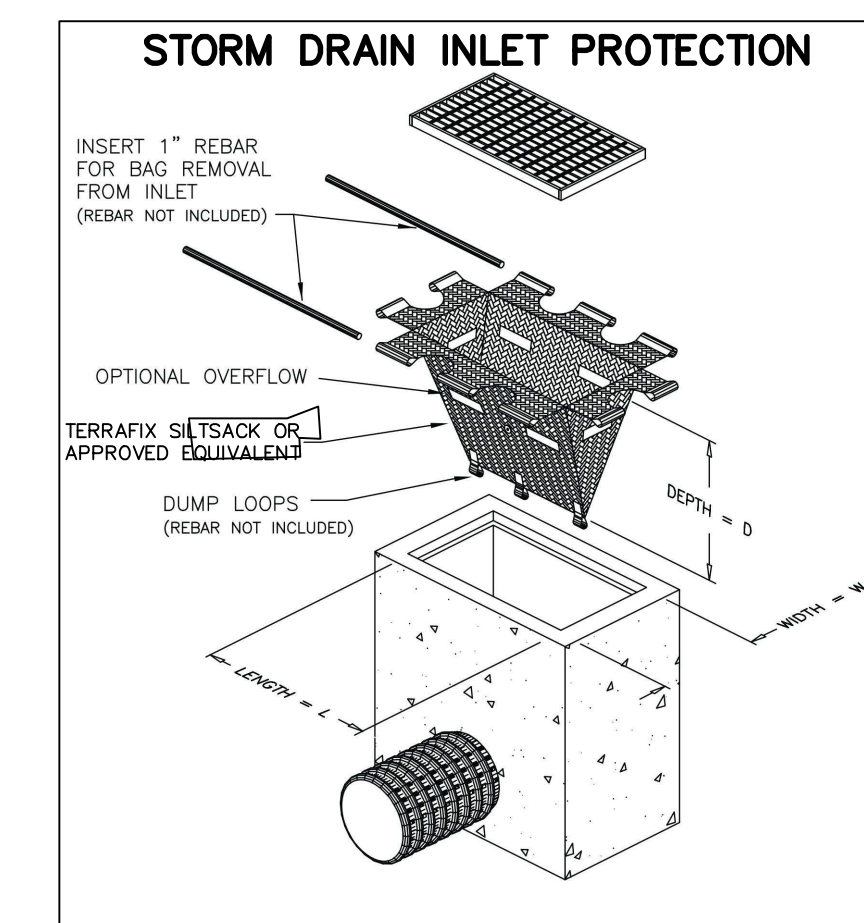
PROJECT No. 24-1403

CAIVAN (ORLEANS VILLAGE 2) LTD.      ORLEANS VILLAGE PHASE 4



**EROSION AND SEDIMENT CONTROL PLAN STAGE 2**

DRAWN BY: C.P.B.	CHECKED BY: S.L.M.	SHEET NO.
DESIGNED BY: C.P.B.	CHECKED BY: S.L.M.	25 OF 25
SCALE: 1:1000	DATE: AUGUST 2024	



CITY PLAN No. ###  
CITY FILE No. ###