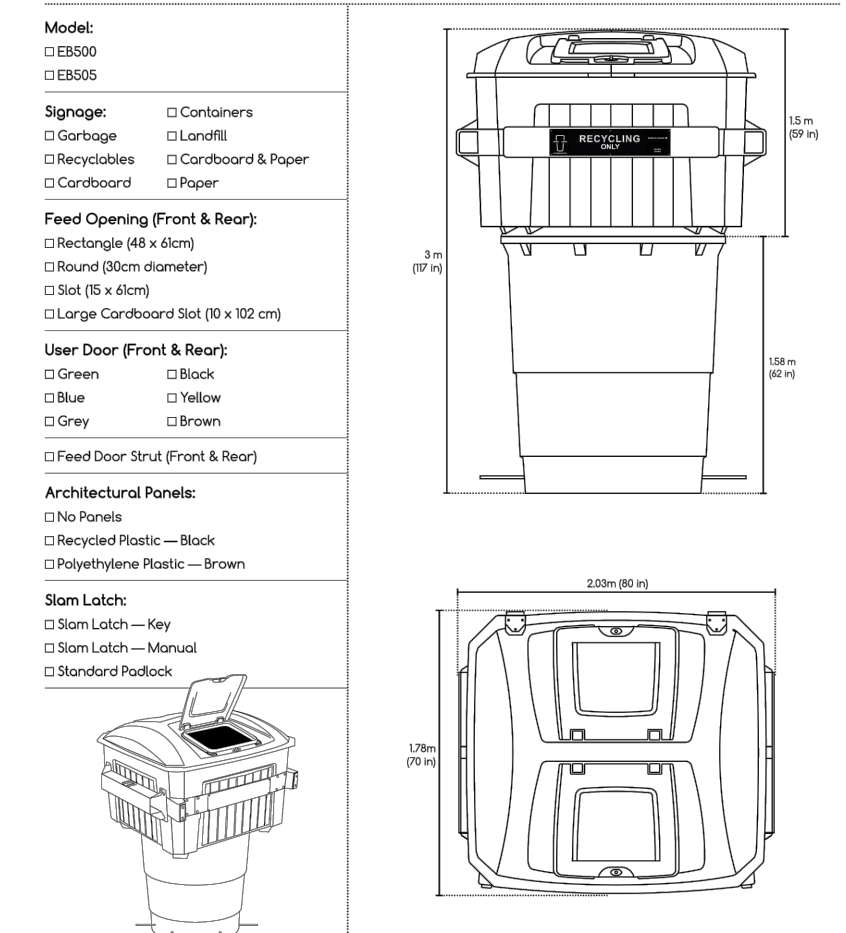


**EarthBin® E8000 & E8500**  
Capacity: 5000 Litre / 4.5 yd³



Model:  
E8000  
E8500

Signage:  
Garage  
Recyclables  
Cardboard & Paper  
Compost  
Paper

Feed Opening (Front & Rear):  
Round (30cm diameter)  
Slot (6 x 4cm)  
Large Cardboard Slot (6 x 102 cm)

User Door (Front & Rear):  
Green  
Black  
Blue  
Grey  
Brown

Architectural Panels:  
No Panels  
Recycled Plastic - Black  
Polyethylene Plastic - Brown

Slam Latch:  
Slam Latch - Key  
Slam Latch - Manual  
Standard Padlock

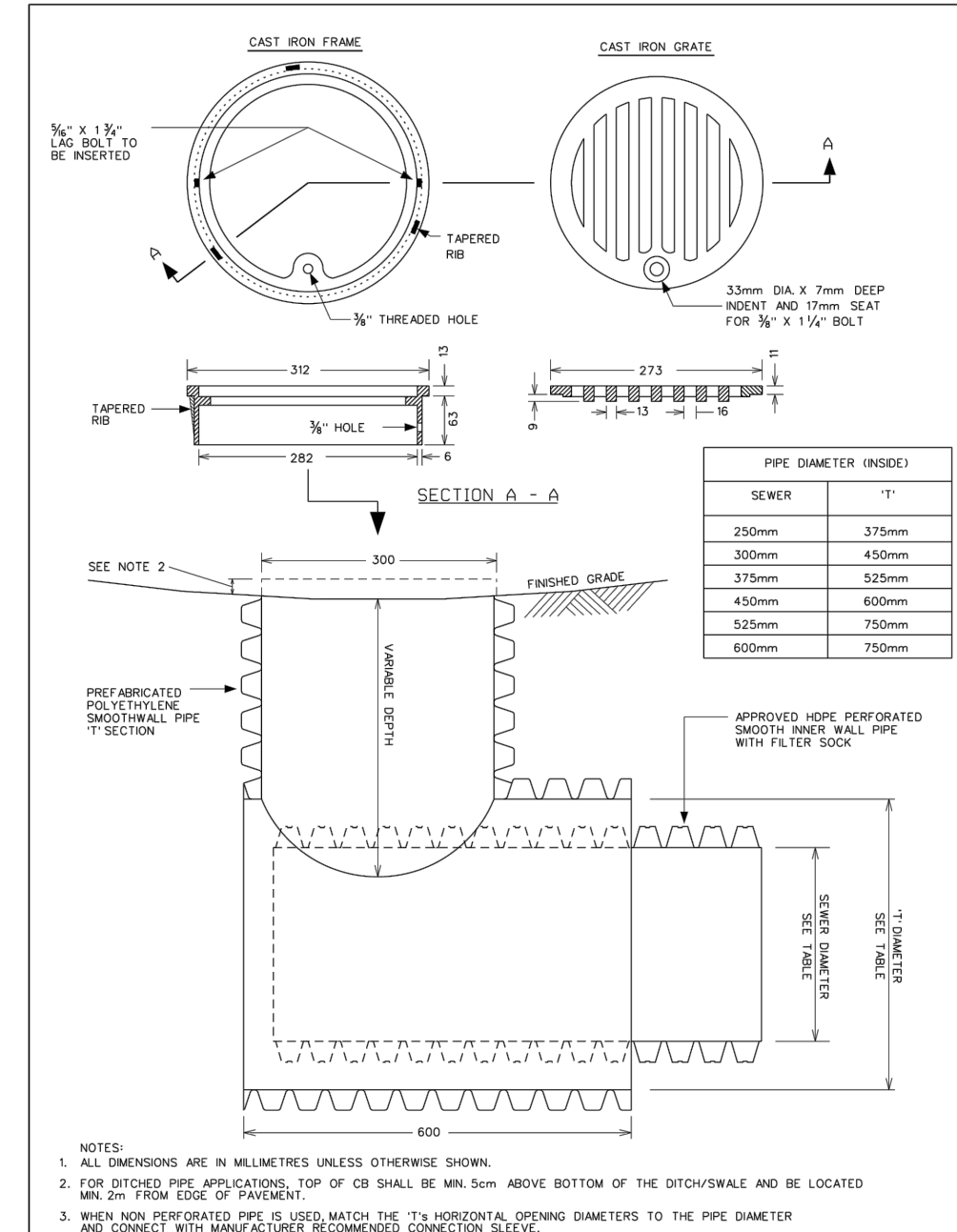
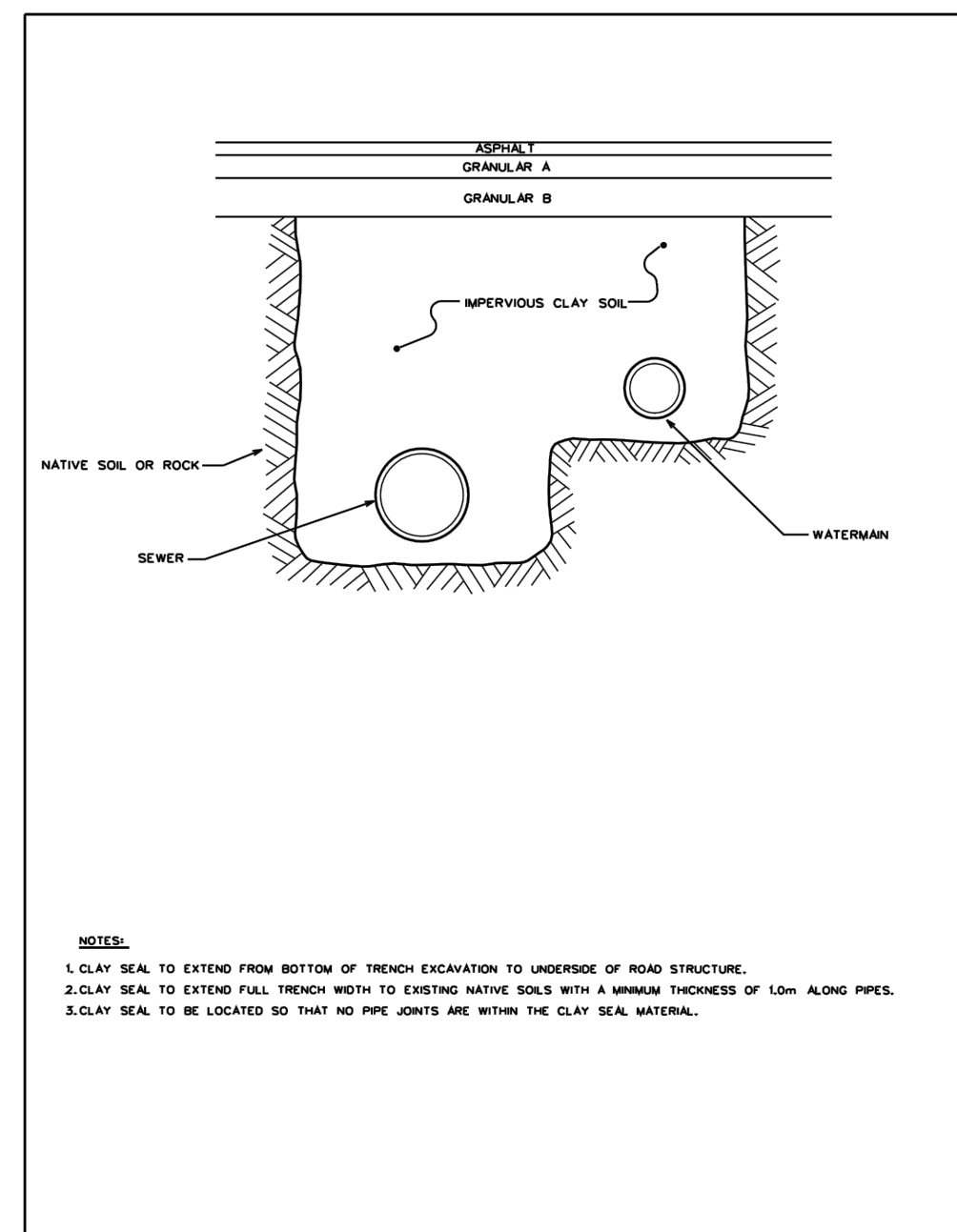
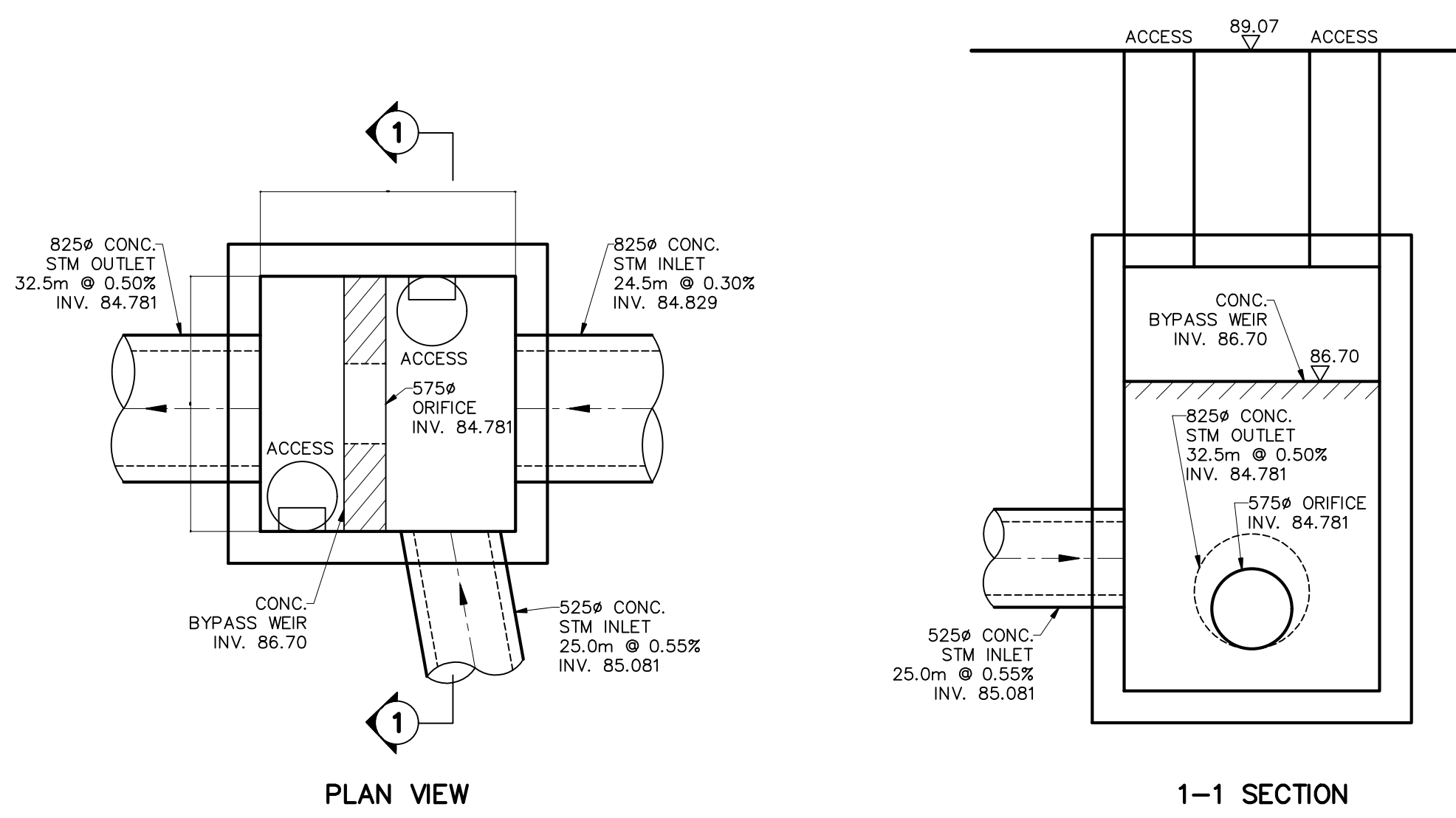
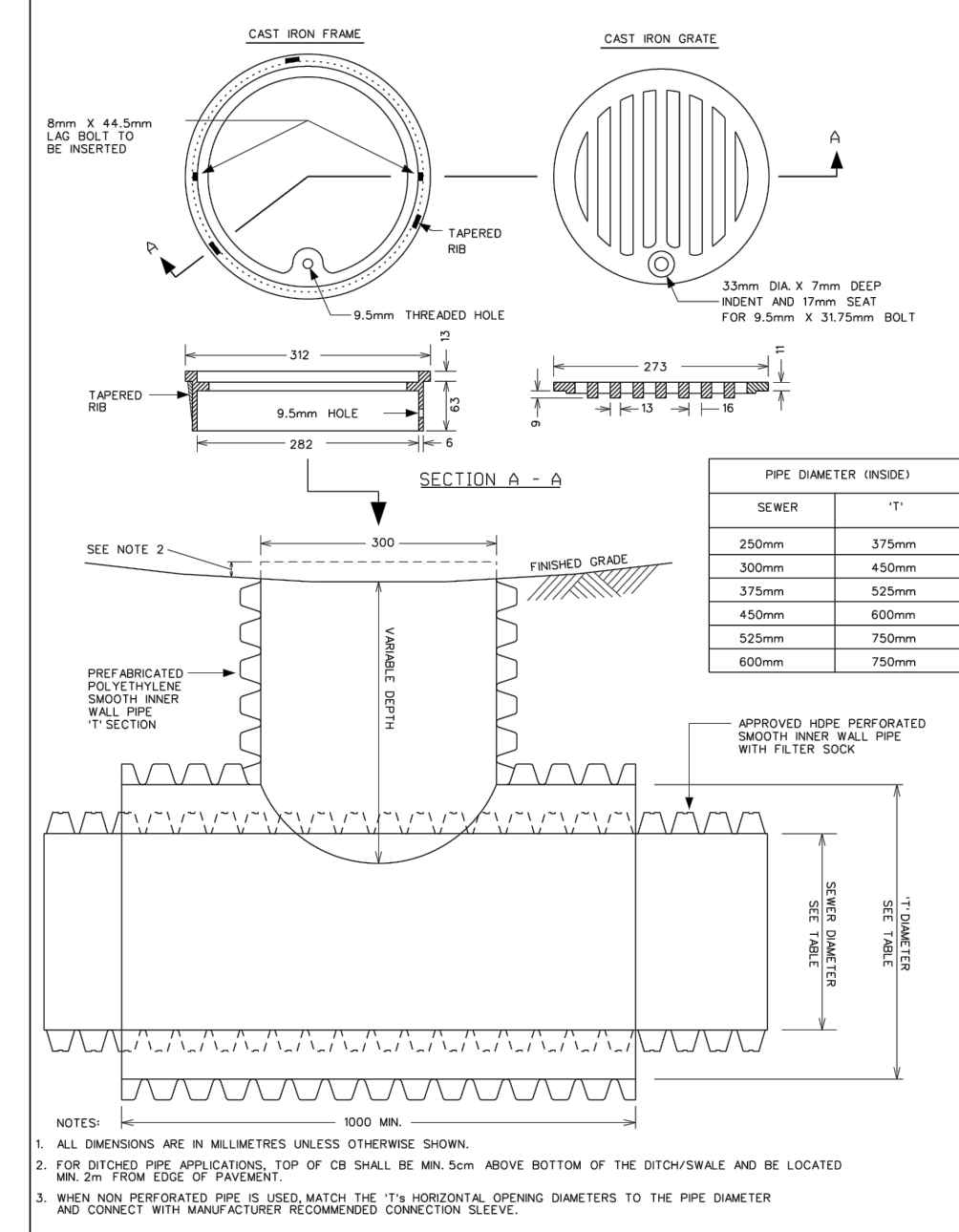
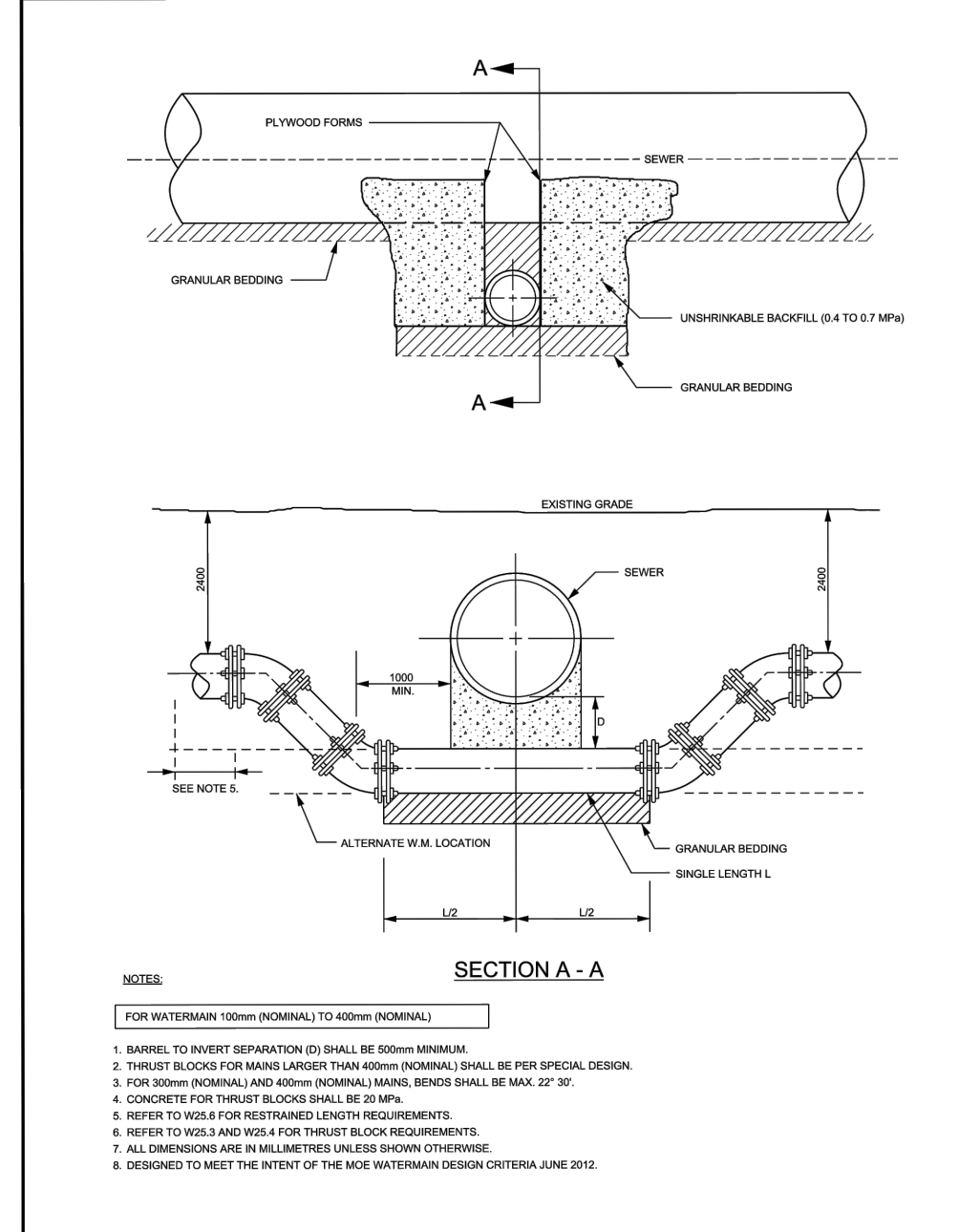
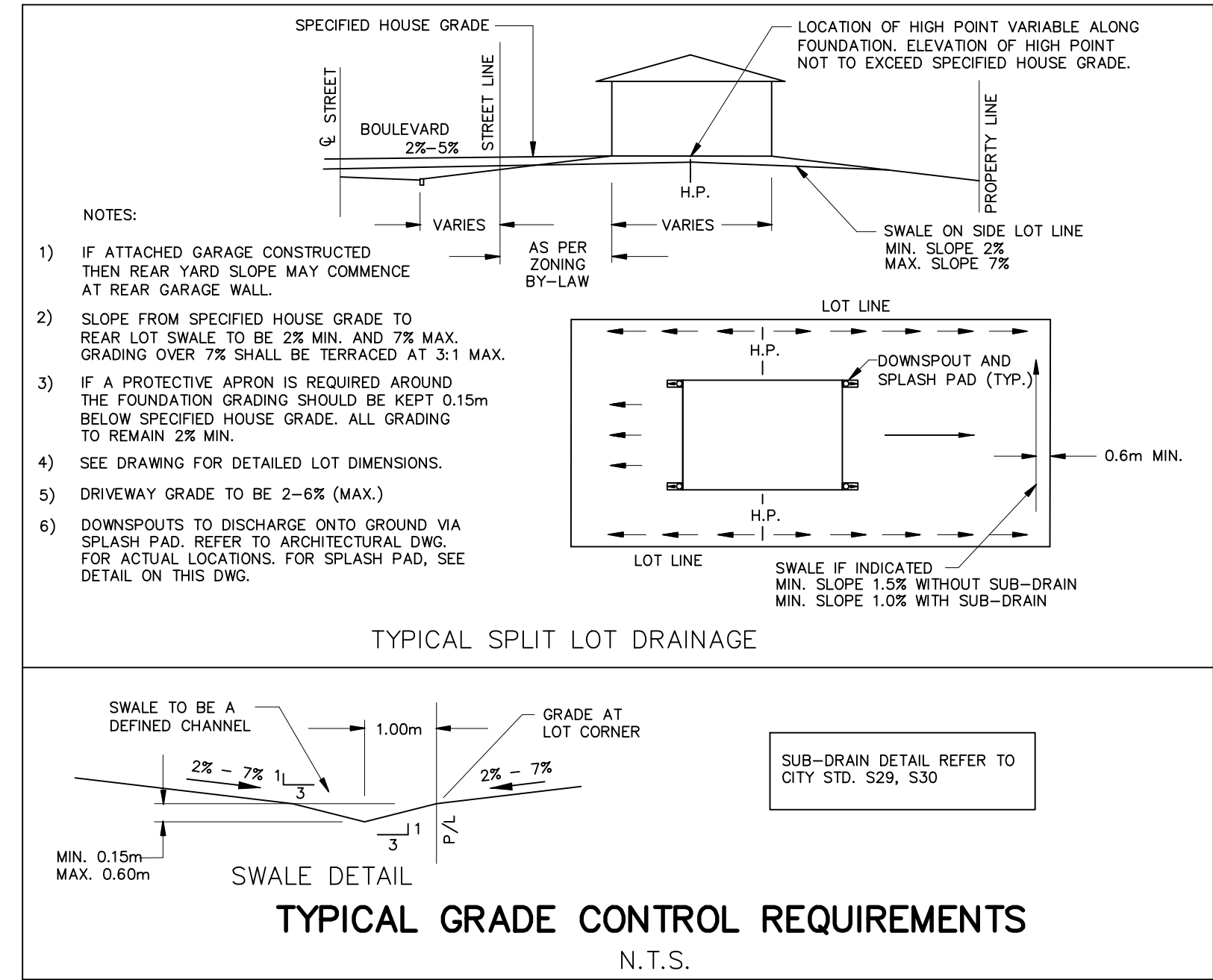
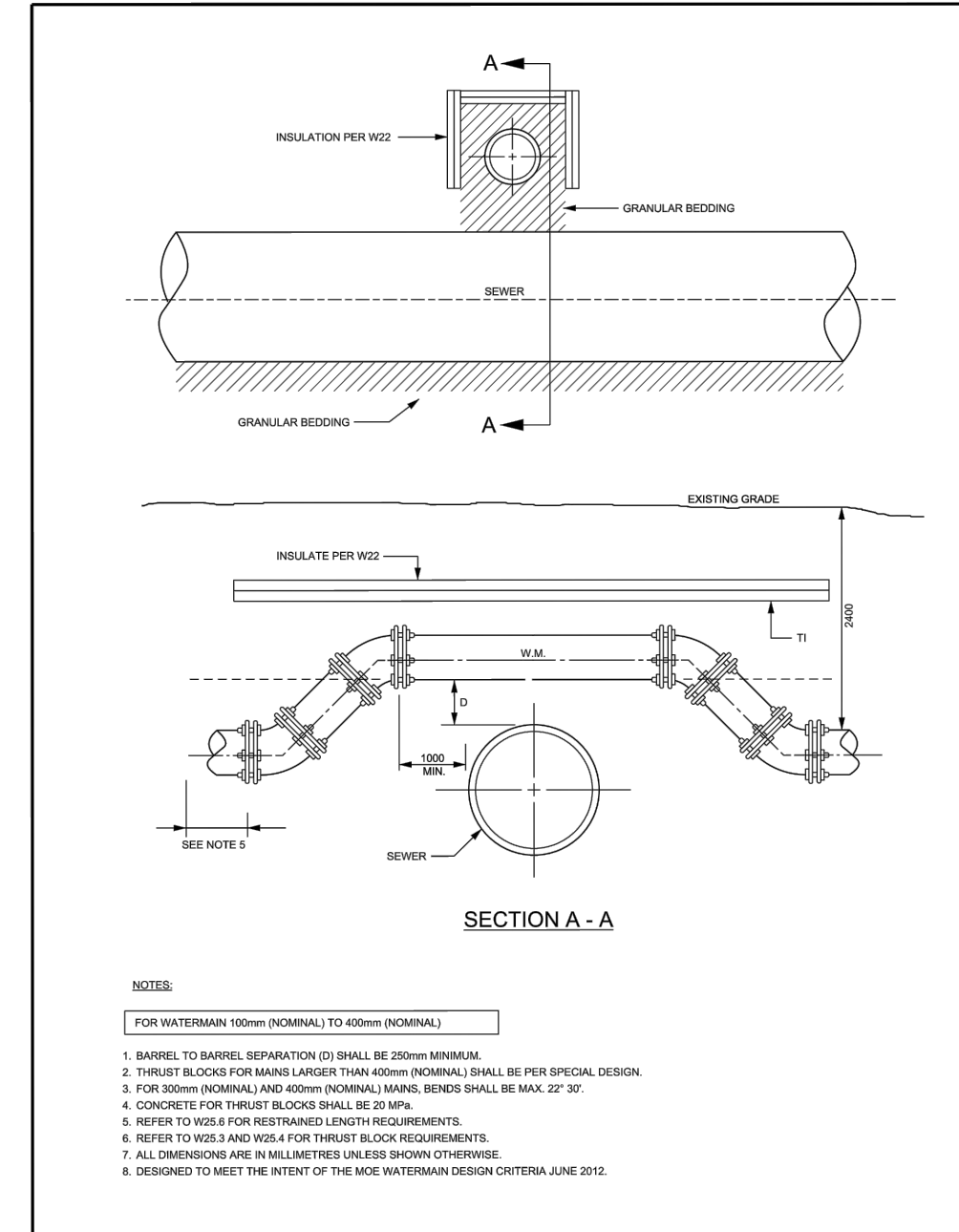
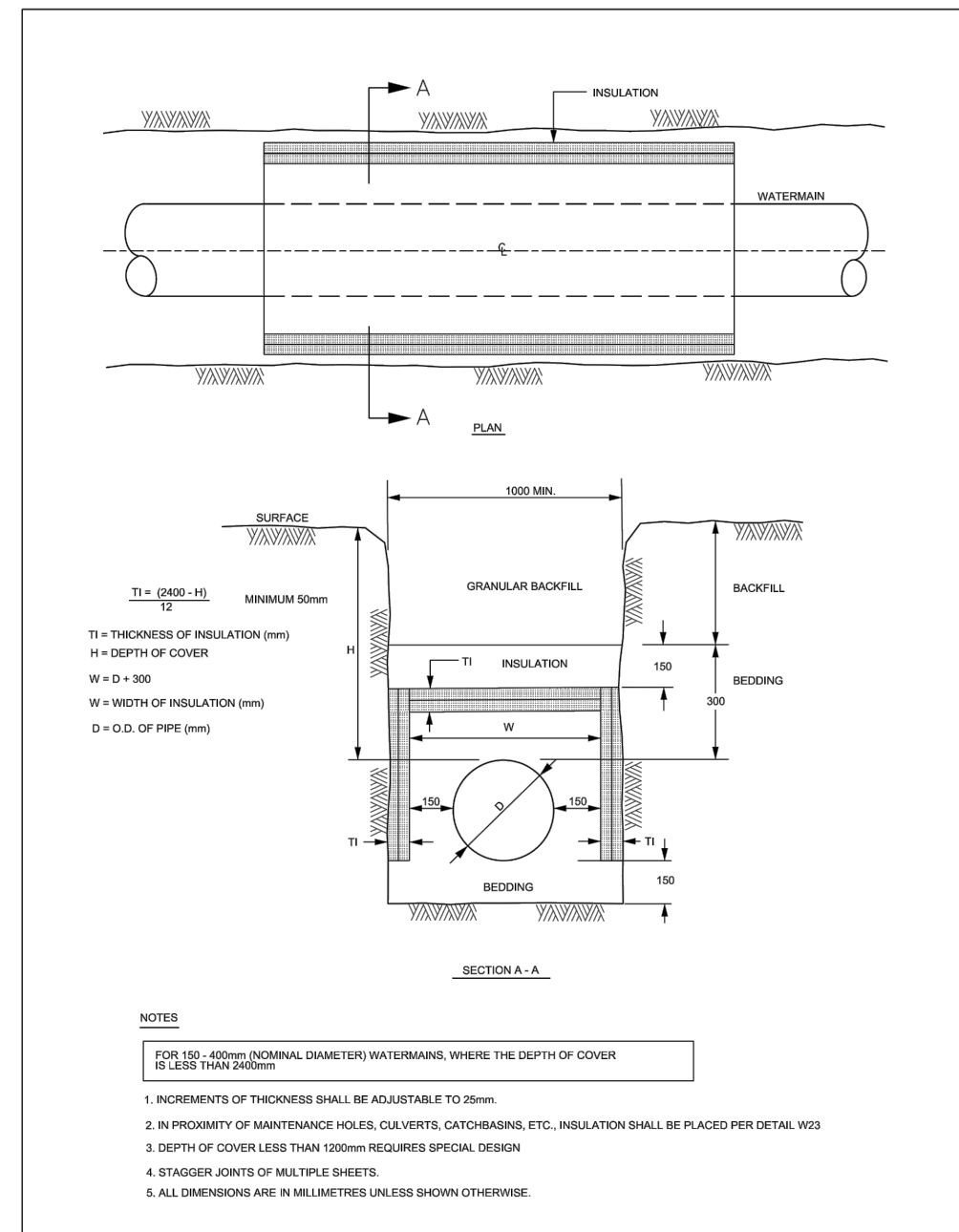
844-29-2467  
www.earthbin.com  
earthbin@earthbin.com

18" (457 mm)  
22" (559 mm)  
22" (559 mm)  
18" (457 mm)

Details and specifications may change without notice due to continuous product improvement.

E8000, E8500  
2/2023

PATENT PENDING  
ALL CONTENT © EARTHIN



**NOT FOR CONSTRUCTION**

**TOPOGRAPHIC INFORMATION**  
TOPOGRAPHIC INFORMATION PROVIDED BY J.D. BARNES LIMITED  
PROJECT No. 16-10-116-00. SURVEYS DATED NOVEMBER 30, 2017.  
PROJECT No. 16-10-116-00\_P42. SURVEYS DATED SEPTEMBER 27, 2019.  
PROJECT No. 22-10-030-01. SURVEYS DATED JUNE 21, 2023.

**SITE PLAN INFORMATION**  
SITE PLAN PROVIDED BY G4 ARCHITECTS, DATED ON AUGUST 6, 2024.

**ELEVATION NOTE**  
ELEVATIONS ARE GEODETIC AND ARE DERIVED FROM SITE BENCHMARK NCC CONTROL POINT 001196530229.  
ELEVATION = 86.12 m

1	S.L.M.	2024-08-30	1st SUBMISSION
---	--------	------------	----------------

No.	BY	DATE	DESCRIPTION
-----	----	------	-------------

**CITY OF OTTAWA**

PROJECT No. 24-1403

**B.L. MERRICK**  
LICENSED PROFESSIONAL ENGINEER  
100186523  
24-08-20  
PROVINCE OF ONTARIO

CAIVAN (ORLEANS VILLAGE 2) LTD.

ORLEANS VILLAGE PHASE 4

**DSEL**

120 Irbid Road, Unit 103  
Stittsville, ON K2S 1E9  
Tel: (613) 836-0856  
Fax: (613) 836-7153  
www.DSEL.ca

DETAILS

DRAWN BY:	C.P.B.	CHECKED BY:	S.L.M.	SHEET No.
DESIGNED BY:	C.P.B.	CHECKED BY:	S.L.M.	3 OF 25
SCALE:	AS SHOWN	DATE:	AUGUST 2024	

CITY PLAN No. ###  
CITY FILE No. ###