

- GENERAL NOTES:**
- ALL DIMENSIONS ARE IN METRES; ALL ELEVATIONS ARE IN METRES AND ARE GEODETIC.
 - TBM = TOP OF GRATE (1/3) OF STORM MANHOLE. ELEVATION = 64.92.
 - THIS IS NOT A LEGAL SURVEY. BOUNDARY INFORMATION WAS DERIVED FROM FAIRBANK MORTGAG & WOOLAND REF. NO. 7-102.
 - CONTRACTOR IS RESPONSIBLE FOR LOCATION AND PROTECTION OF UTILITIES.
 - ALL DIMENSIONS TO BE VERIFIED ON SITE BY CONTRACTOR PRIOR TO CONSTRUCTION.
 - ANY CHANGES MADE TO THIS PLAN MUST BE VERIFIED AND APPROVED BY KOLLAARD ASSOCIATES INC.
 - CLIENT IS RESPONSIBLE FOR ACQUIRING ALL NECESSARY PERMITS. THIS DRAWING IS NOT FOR CONSTRUCTION UNTIL A BUILDING PERMIT HAS BEEN GRANTED.
 - THE OWNER AGREES TO PREPARE AND IMPLEMENT AN EROSION AND SEDIMENT CONTROL PLAN TO THE SATISFACTION OF THE CITY OF OTTAWA. APPROPRIATE TO THE SITE CONDITIONS, PRIOR TO UNDERTAKING ANY SITE ALTERATIONS (FILLING, GRADING, REMOVAL OF VEGETATION, ETC.) AND DURING ALL PHASES OF SITE PREPARATION AND CONSTRUCTION IN ACCORDANCE WITH THE CURRENT BEST MANAGEMENT PRACTICES FOR EROSION AND SEDIMENT CONTROL, SUCH AS, BUT NOT LIMITED TO, INSTALLING FILTER CLOTHS ACROSS MANHOLE/CATCHBASIN LIDS TO PREVENT SEDIMENTS FROM ENTERING STRUCTURES AND INSTALL AND MAINTAIN A LIGHT DUTY SILT FENCE BARRIER AS REQUIRED.
 - ALL MATERIALS AND CONSTRUCTION TO BE IN ACCORDANCE WITH CITY OF OTTAWA STANDARDS AND ONTARIO PROVINCIAL STANDARDS AND SPECIFICATIONS, SEWER AND WATERMAIN MATERIAL TYPES, DISINFECTION, PROVIDE MINIMUM 2.4 METRES OF COVER FOR WATER SERVICES, CATHODIC PROTECTION, CITY OF OTTAWA INSULATION SPECIFICATIONS FOR WATERMAIN, PIPE BEDDING, REINSTATEMENT OF DISTURBED AREAS AND LEAKAGE TESTING.
 - REFERENCE TO KOLLAARD FILE NO. 210499 FOR STORM WATER MANAGEMENT DESIGN.

No.	REVISION	DATE	BY
0	ISSUED FOR SPC APPLICATION	MAY 31, 2021	ML
#	REVISION ITEM / DESCRIPTION	REV. DATE	INT.

Kollaard Associates
Engineers (613) 860-0923
info@kollaard.ca

P.O. BOX 189, 210 PRESCOTT ST.
KEMPVILLE, ONTARIO
K0G 1J0 FAX (613) 258-0475
http://www.kollaard.ca

CLIENT:
GRANT STREET GARAGE
(GEOFF WATSON)

PROJECT:
PROPOSED PARKING LOT

LOCATION:
1-3 GRANT STREET,
CITY OF OTTAWA, ON

DESIGNED BY: ML
CHECKED BY: SD
DRAWN BY: ML
APPROVED BY: SD
DATE: MAY 15, 2021
KOLLAARD FILE NUMBER: 210499

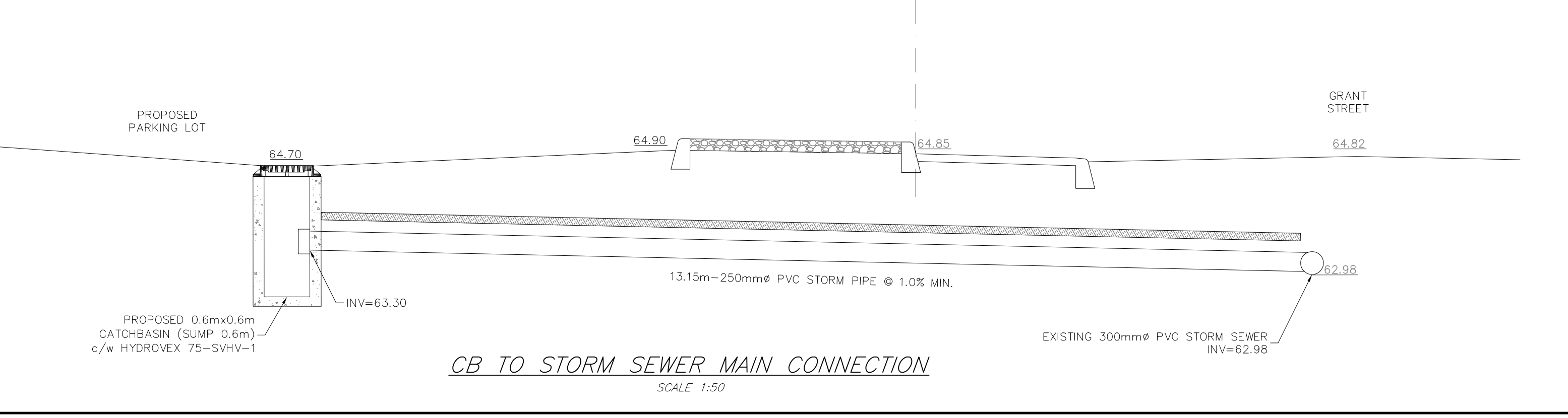
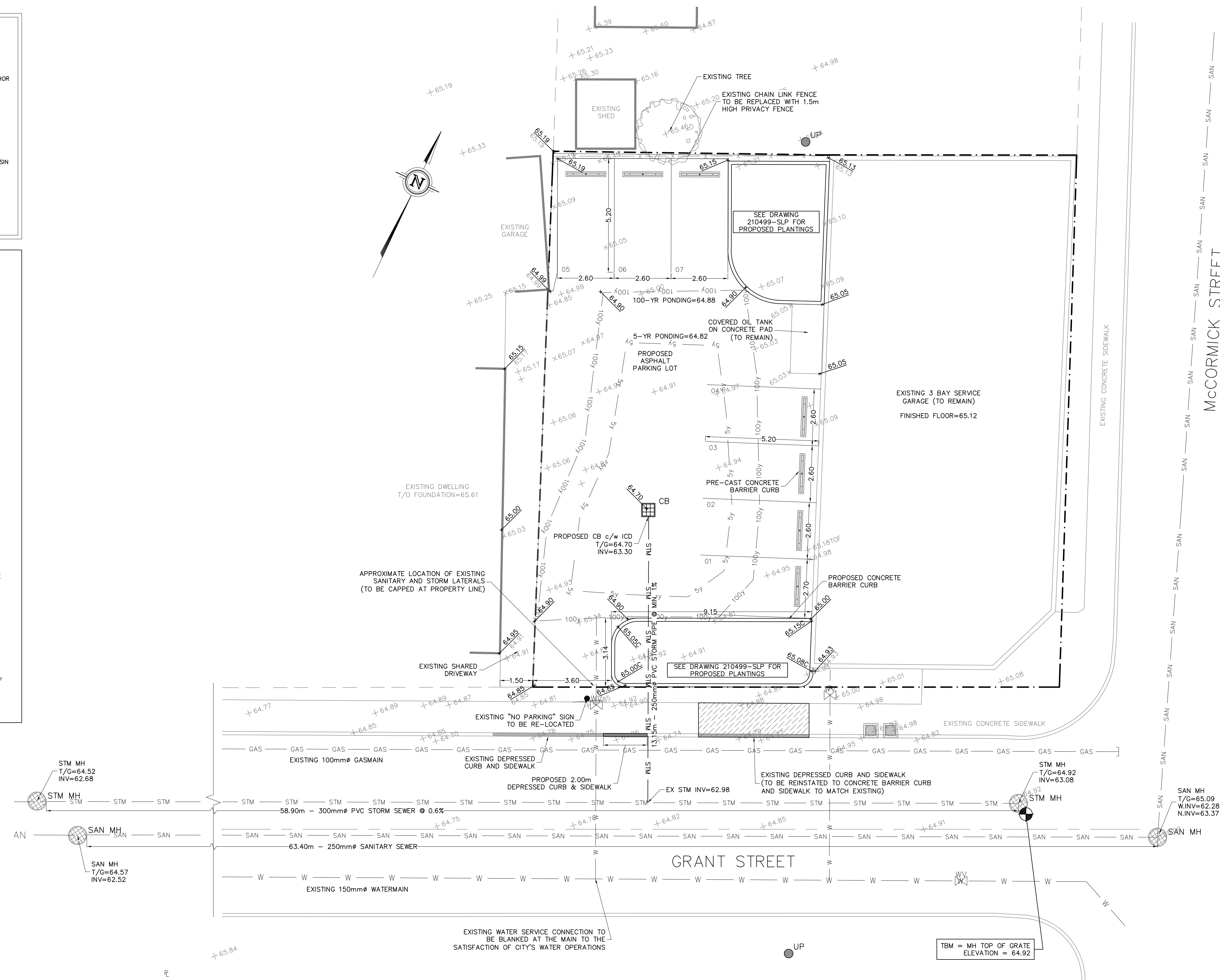
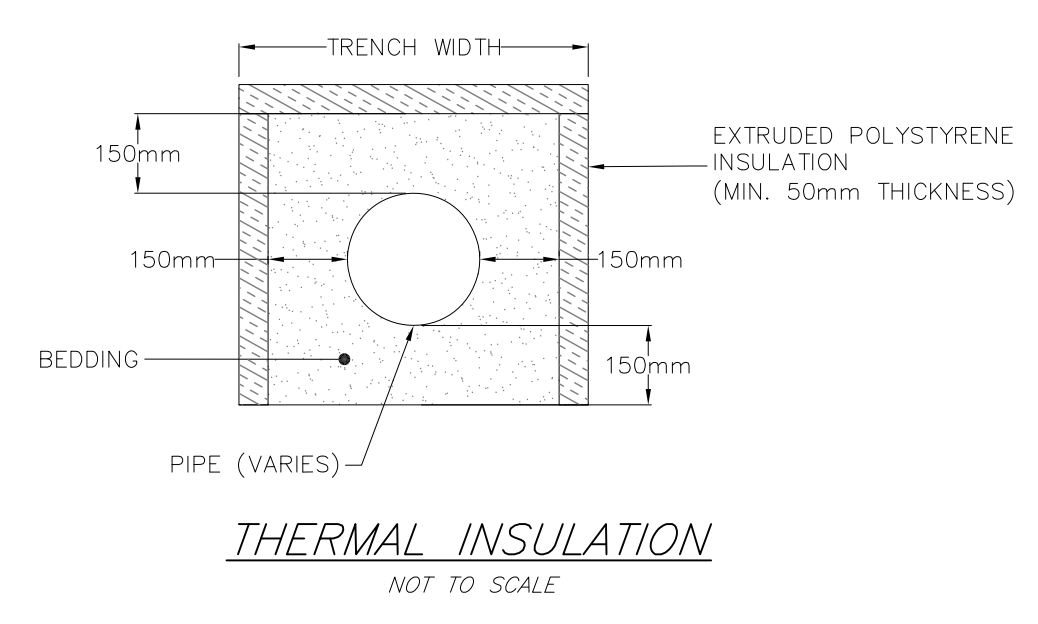
DRAWING NUMBER: 210499-GSP
DRAWING NAME: SITE GRADING & SERVICING PLAN

LEGEND

	EXISTING ELEVATION		EXISTING SIGNAGE
	PROPOSED/EXISTING ELEVATIONS		EXISTING UTILITY POLE
	PROPOSED CURB ELEVATION		EXISTING HYDRO GUY WIRE ANCHOR
	DRAINAGE SLOPE		EXISTING FIRE HYDRANT
	EXISTING DRAINAGE		EXISTING WATER VALVE
	WATERMAIN		EXISTING STORM MANHOLE
	STORM SEWER		EXISTING SANITARY MANHOLE
	SANITARY SEWER		EXISTING CURB INLET CATCH BASIN
	PROPERTY LINE		EXISTING CATCH BASIN
	SILT FENCE		PROPOSED CATCH BASIN
	OVERHEAD WIRE		TEMPORARY BENCHMARK
	OVERLAND FLOW ROUTE		ITEM TO BE REMOVED

- SEWER NOTES:**
- SUPPLY AND CONSTRUCT ALL SEWERS AND APPURTENANCES IN ACCORDANCE WITH THE CITY OF OTTAWA STANDARDS AND SPECIFICATIONS AND ONTARIO PROVINCIAL STANDARDS FOR ROADS AND PUBLIC WORKS.
 - SPECIFICATIONS:

ITEM	SECC. No.	QTY. STD. DWG. No.
CATCH BASIN (600mm x 600mm)	OPSD 705.010	S2
SEWER SERVICE CONNECTION		S11 & S11.1
SANITARY BENCHING	OPSD 701.021	
CATCH BASIN & MANHOLE ADJUSTMENTS	OPSD 704.010	
CATCH BASIN FRAME & COVER	OPSD 400.020	S19, S22 & S23
SEWER TRENCH		S6 & S7
 - SEWER TRENCH:
SITE SERVICES EXCAVATION, BEDDING & BACKFILL AS PER THE RECOMMENDATIONS OF THE GEOTECHNICAL INVESTIGATION REPORT.
 - INSULATE ALL STORM PIPES THAT HAVE LESS THAN 2.0m COVER AND ALL SANITARY PIPES THAT HAVE LESS THAN 2.1m COVER WITH THERMAL INSULATION. PROVIDE 150mm CLEARANCE BETWEEN PIPE AND INSULATION.
 - PIPE BEDDING, COVER AND BACKFILL ARE TO BE COMPACTED TO AT LEAST 98% OF THE STANDARD PROCTOR MAXIMUM DRY DENSITY.
 - FLEXIBLE CONNECTIONS ARE REQUIRED FOR CONNECTION PIPES TO MANHOLES (FOR EXAMPLE KOR-N-SEAL, PSX POSITIVE SEAL AND DURASEAL). SANITARY RUBBER GASKET TYPE JOINTS SHALL CONFORM TO CSA (B-182.2,3,4).
 - THE OWNER SHALL REQUIRE THAT THE SITE SERVICING CONTRACTOR PERFORM FIELD TESTS FOR QUALITY CONTROL OF ALL SANITARY SEWERS. LEAKAGE TESTING SHALL BE COMPLETED IN ACCORDANCE WITH OPSS 410.07.16, 410.07.16.04 AND 407.07.24. DYE TESTING IS TO BE COMPLETED ON ALL SANITARY SERVICES TO CONFIRM PROPER CONNECTION TO THE SANITARY SEWER MAIN. THE FIELD TESTS SHALL BE PERFORMED IN THE PRESENCE OF A CERTIFIED PROFESSIONAL ENGINEER WHO SHALL SUBMIT A CERTIFIED COPY OF THE TEST RESULTS.
 - BUILDING CONTRACTOR TO PROVIDE TEMPORARY ADDITIONAL GRANULAR BACKFILL ABOVE SHALLOW CULVERTS AND STORM SEWERS TO SUPPORT HEAVY CONSTRUCTION EQUIPMENT.
 - CONTRACTOR TO TELEWISE (CCTV) ALL PROPOSED SEWERS, 200mmØ OR GREATER PRIOR TO BASE COURSE ASPHALT. UPON COMPLETION OF CONTRACT, THE CONTRACTOR IS RESPONSIBLE TO FLUSH AND CLEAN ALL SEWERS & APPURTENANCES TO MUNICIPAL SATISFACTION.
 - WHERE THE SANITARY SEWER CROSSES ABOVE THE WATERMAIN, THE CONTRACTOR IS TO PROVIDE A MINIMUM OF 0.50m VERTICAL SEPARATION, ADEQUATE STRUCTURAL SUPPORT OF THE SEWER TO PREVENT SETTLING AND EXCESSIVE JOINT DEFLECTION AND ENSURE THAT THE LENGTH OF THE WATER PIPE BE CENTERED AT THE POINT OF CROSSING SO THAT THE JOINTS ARE EQUIDISTANT AND AS FAR AS POSSIBLE FROM THE SEWER.



INLET CONTROL DEVICE TABLE

STRUCTURE	CB
MODEL	HYDROVEX 75-SVHV-1
PIPE OUTLET	250 mm PVC SDR 35
DISCHARGE	3.6 L/s
UPSTREAM HEAD	1.6m
ICD INVERT ELEVATION	63.30m
STRUCTURE SIZE	0.6m x 0.6m
MINIMUM CLEARANCE	0.6m