

APPENDIX 2

TRAFFIC DATA

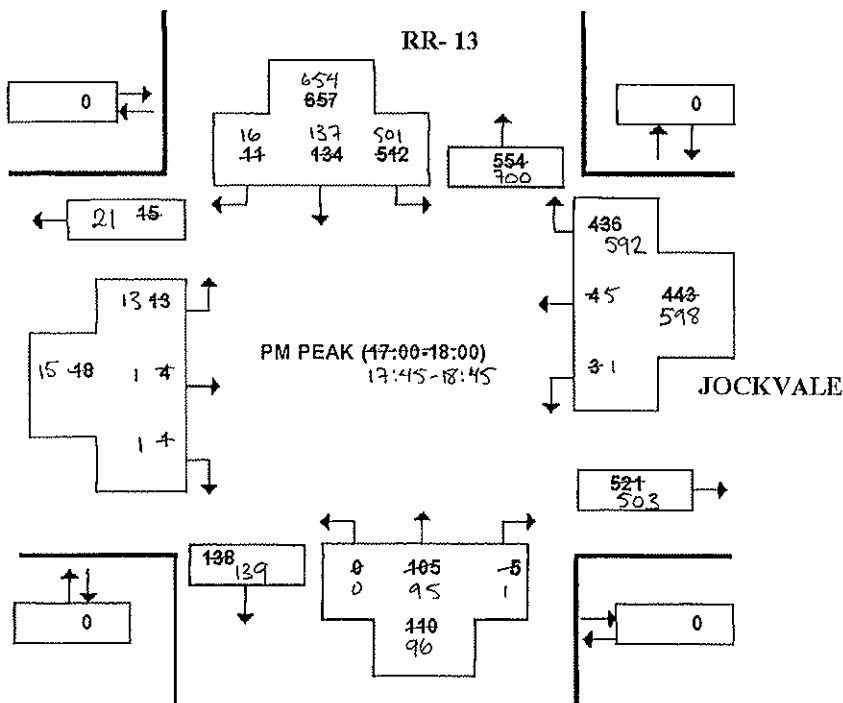
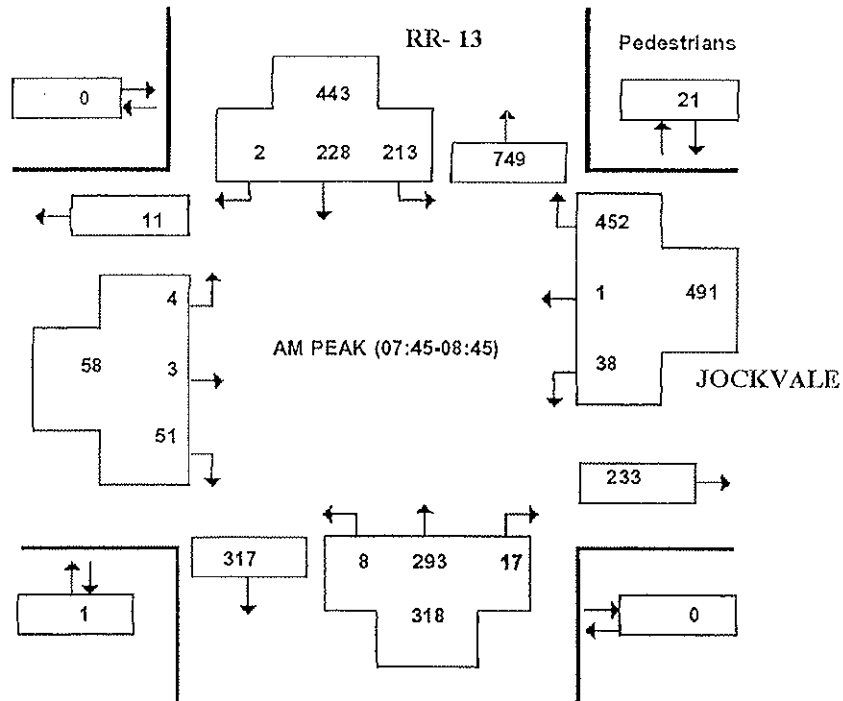


GREENBANK RD and JOCKVALE RD
(ULRS Listing RR- 13 & JOCKVALE)

Survey Date: Thursday 15 June 2006
 Conditions: DRY
 Start Time: 0700

Total Observed U-Turns
 Northbound: 0 Southbound: 0
 Eastbound: 0 Westbound: 0

AADT Factor
 Thursday in June is
 0.9

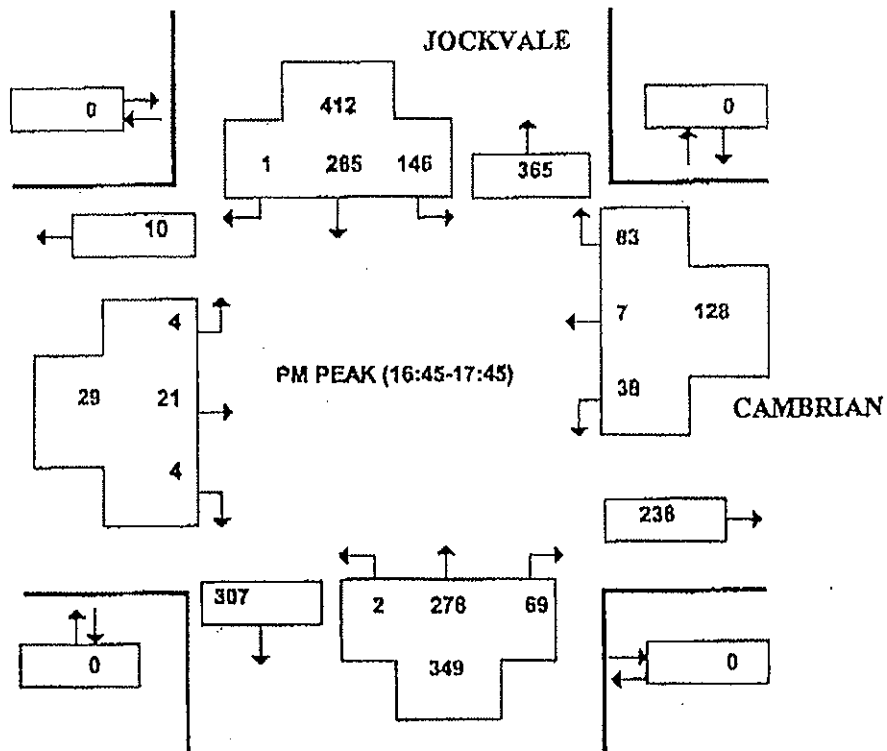
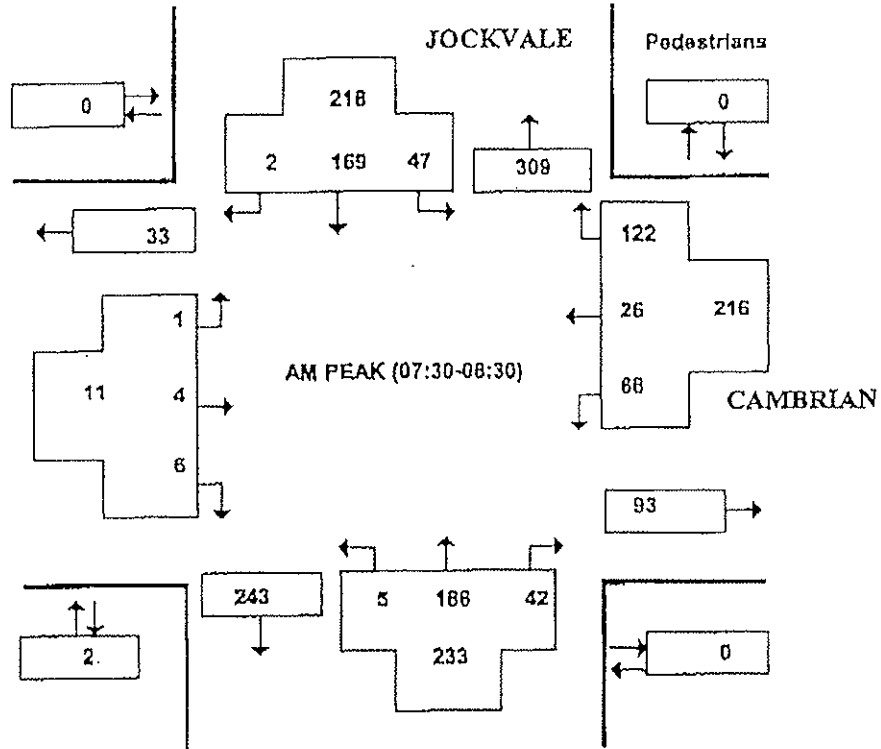


CAMBRIAN and JOCKVALE RD (ULRS Listing CAMBRIAN & JOCKVALE)

Survey Date: Monday 27 June 2005
 Conditions: DRY
 Start Time: 0700

Total Observed U-Turns
 Northbound: 0 Southbound: 0
 Eastbound: 0 Westbound: 0

AADT Factor
 Monday in June is
 0.9





Public Works and Services Department

Count ID 2147

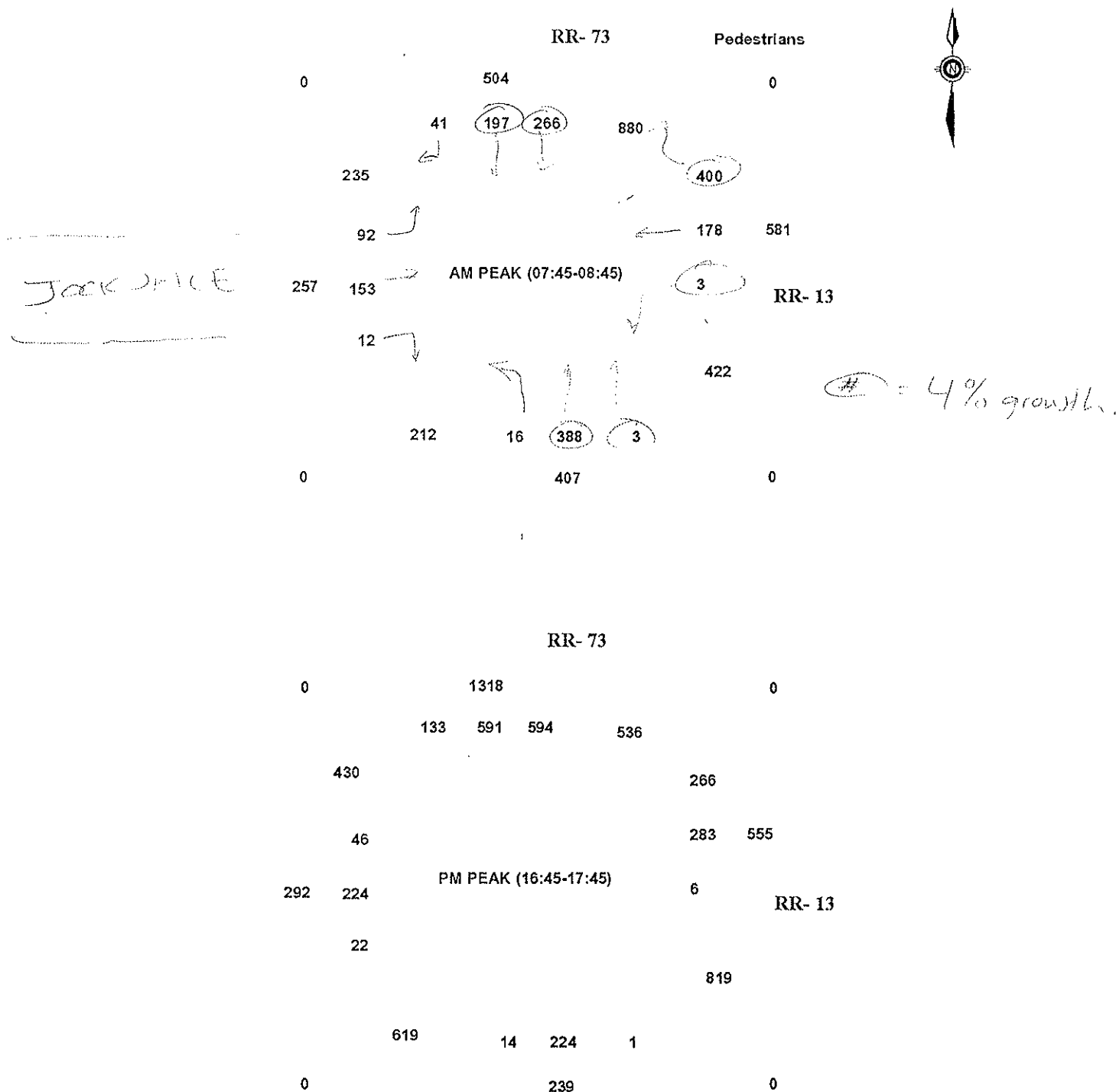
JOCKVALE RD and OLD HIGHWAY 16

(ULRS Listing RR- 13 & RR- 73)

Survey Date: Wednesday 28 June 2006
 Conditions: DRY
 Start Time: 0700

Total Observed U-Turns
 Northbound: 0 Southbound: 0
 Eastbound: 0 Westbound: 0

AADT Factor
 Wednesday in June is
 0.9



Geospace Research Associates

Urban and Regional Geographers 491 Edgeworth Avenue, Ottawa, Ontario. K2B 5L2

VEHICLE VOLUME FIELD SHEET

Street 1 Jockvale Road Street 2 Riverstone Drive
 Road Conditions dry Date (D/M/Yr) 27/06/07 Day Name Wednesday
 Start Time 0700
 Number of Hours 8

TIME	EASTBOUND APPROACH ON N/A			WESTBOUND APPROACH ON Riverstone			NORTHBOUND APPROACH ON Jockvale			SOUTHBOUND APPROACH ON Jockvale		
	LT	ST	RT	LT	ST	RT	LT	ST	RT	LT	ST	RT
0700-0715				3	N/A	10	N/A	75	1	2	44	N/A
0715-0730				4		26		91	3	3	46	
0730-0745				3		14		110	1	9	48	
0745-0800				5		31		128	1	7	58	
SUB TOTAL	0	0	0	15	0	81	0	404	6	21	196	0
0800-0815				5		16		88	3	7	44	
0815-0830				5		21		102	2	3	58	
0830-0845				7		17		110	1	3	55	
0845-0900				1		25		113	2	6	63	
SUB TOTAL	0	0	0	18	0	79	0	413	8	19	220	0
0900-0915				5		19		98	5	12	65	
0915-0930				3		10		84	2	4	65	
0930-0945				1		18		96	2	10	69	
0945-1000				1		13		83	1	7	44	
SUB TOTAL	0	0	0	10	0	60	0	361	10	33	243	0
1130-1145				0		20		88	4	11	72	
1145-1200				3		17		100	1	7	100	
1200-1215				3		14		105	4	13	94	
1215-1230				2		12		82	0	14	108	
SUB TOTAL	0	0	0	8	0	63	0	375	9	45	374	0

Peak

Geospace Research Associates

Urban and Regional Geographers 491 Edgeworth Avenue, Ottawa, Ontario. K2B 5L2

VEHICLE VOLUME FIELD SHEET
PAGE 2

Date (D/M/Yr) 27/06/07 Day Name Wednesday

TIME	EASTBOUND APPROACH ON N/A			WESTBOUND APPROACH ON Riverstone			NORTHBOUND APPROACH ON Jockvale			SOUTHBOUND APPROACH ON Jockvale		
	LT	ST	RT	LT	ST	RT	LT	ST	RT	LT	ST	RT
1230-1245				3	N/A	13	N/A	96	2	13	83	N/A
1245-1300				1		12		86	1	12	101	
1300-1315				1		14		70	2	11	74	
1315-1330				0		12		80	3	7	76	
SUB TOTAL	0	0	0	5	0	51	0	332	8	43	334	0
1500-1515				2		16		95	3	12	85	
1515-1530				2		16		80	1	18	96	
1530-1545				1		14		101	4	25	128	
1545-1600				1		7		69	1	18	111	
SUB TOTAL	0	0	0	6	0	53	0	345	9	73	420	0
1600-1615				2		8		102	7	27	123	
1615-1630				2		8		90	5	15	101	
1630-1645				0		14		96	1	18	114	
1645-1700				2		10		91	7	28	126	
SUB TOTAL	0	0	0	6	0	40	0	379	20	88	464	0
1700-1715				4		13		99	4	28	145	
1715-1730				4		12		113	3	22	112	
1730-1745				9		18		117	11	44	123	
1745-1800				7		19		115	38	61	107	
SUB TOTAL	0	0	0	24	0	62	0	444	56	155	487	0
TOTAL	0	0	0	92	0	489	0	3053	126	477	2738	0

PM Peak

Geospace Research Associates

Urban and Regional Geographers 491 Edgeworth Avenue, Ottawa, Ontario. K2B 5L2

VEHICLE VOLUME FIELD SHEET

Street 1 Jockvale Road Street 2 Golf Links Road
 Road Conditions dry Date (D/M/Yr) 26/06/07 Day Name Tuesday
 Start Time 0700
 Number of Hours 8

AM Peak

TIME	EASTBOUND APPROACH ON N/A			WESTBOUND APPROACH ON Golf Links			NORTHBOUND APPROACH ON Jockvale			SOUTHBOUND APPROACH ON Jockvale		
	LT	ST	RT	LT	ST	RT	LT	ST	RT	LT	ST	RT
0700-0715				26	N/A	6	N/A	52	5	6	60	N/A
0715-0730				32		13		61	8	13	56	
0730-0745				21		13		64	12	19	58	
0745-0800				25		11		66	14	16	61	
SUB TOTAL	0	0	0	104	0	43	0	243	39	54	235	0
0800-0815				20		15		54	9	12	64	
0815-0830				22		15		68	12	9	64	
0830-0845				17		15		60	6	10	55	
0845-0900				7		12		61	5	5	55	
SUB TOTAL	0	0	0	66	0	57	0	243	32	36	238	0
0900-0915				15		7		68	7	4	66	
0915-0930				12		8		35	1	8	38	
0930-0945				5		12		70	4	8	38	
0945-1000				8		7		59	5	2	44	
SUB TOTAL	0	0	0	40	0	34	0	232	17	22	186	0
1130-1145				4		6		51	4	13	50	
1145-1200				4		10		50	5	15	57	
1200-1215				9		6		65	12	8	56	
1215-1230				10		7		61	8	10	63	
SUB TOTAL	0	0	0	27	0	29	0	227	29	46	226	0

Geospace Research Associates

Urban and Regional Geographers 491 Edgeworth Avenue, Ottawa, Ontario. K2B 5L2

VEHICLE VOLUME FIELD SHEET

PAGE 2

Date (D/M/Yr) 26/06/07 Day Name Tuesday

TIME	EASTBOUND APPROACH ON N/A			WESTBOUND APPROACH ON Golf Links			NORTHBOUND APPROACH ON Jockvale			SOUTHBOUND APPROACH ON Jockvale		
	LT	ST	RT	LT	ST	RT	LT	ST	RT	LT	ST	RT
1230-1245				8	N/A	11	N/A	79	10	6	61	N/A
1245-1300				8		9		65	9	11	51	
1300-1315				10		12		56	15	6	58	
1315-1330				10		12		40	7	9	59	
SUB TOTAL	0	0	0	36	0	44	0	240	41	32	229	0
1500-1515				8		14		51	13	14	64	
1515-1530				9		17		50	10	11	69	
1530-1545				12		15		70	9	14	75	
1545-1600				11		15		71	19	12	94	
SUB TOTAL	0	0	0	40	0	61	0	242	51	51	302	0
1600-1615				11		8		62	18	11	80	
1615-1630				6		12		83	22	13	84	
1630-1645				12		8		92	17	14	89	
1645-1700				5		10		79	21	16	78	
SUB TOTAL	0	0	0	34	0	38	0	316	78	54	331	0
1700-1715				9		8		94	14	12	92	
1715-1730				10		3		85	19	9	86	
1730-1745				7		5		77	19	8	79	
1745-1800				8		4		83	17	8	88	
SUB TOTAL	0	0	0	34	0	20	0	339	69	37	345	0
TOTAL				381		326		2082	356	332	2092	

PM Peak

13921-53.6
5.7

Geospace Research Associates

Urban and Regional Geographers 491 Edgeworth Avenue, Ottawa, Ontario. K2B 5L2

VEHICLE VOLUME FIELD SHEET

Street 1 Cambrian Road Street 2 Greenbank Road
 Road Conditions dry Date (D/M/Yr) 23/11/06 Day Name Thursday
 Start Time 0700
 Number of Hours 8

TIME	EASTBOUND APPROACH ON Cambrian			WESTBOUND APPROACH ON Cambrian			NORTHBOUND APPROACH ON Greenbank			SOUTHBOUND APPROACH ON Greenbank		
	LT	ST	RT	LT	ST	RT	LT	ST	RT	LT	ST	RT
0700-0715	0	1	1	0	8	1	0	19	0	0	9	1
0715-0730	0	2	1	0	10	0	0	21	1	0	12	1
0730-0745	0	4	0	1	13	2	1	23	0	0	9	1
0745-0800	5	3	0	2	18	13	0	24	1	1	7	1
SUB TOTAL	5	10	2	3	49	16	1	87	2	1	37	4
0800-0815	12	4	0	2	12	14	0	29	2	8	17	0
0815-0830	1	1	1	2	18	1	1	26	1	0	7	1
0830-0845	1 ¹⁷	0 ⁸	3 ⁴	2 ⁸	12 ⁶⁰	1 ²⁹	1 ²	31 ¹¹⁰	1 ⁵	0 ⁹	11 ⁴²	0 ²
0845-0900	3	3	0	2	5	2	0	17	1	1	8	0
SUB TOTAL	17	8	4	8	47	18	2	103	5	9	43	1
0900-0915	0	0	1	2	8	2	0	18	1	0	10	0
0915-0930	0	1	0	1	2	1	0	24	0	3	5	0
0930-0945	1	1	0	1	2	1	0	18	0	1	9	0
0945-1000	0	1	1	1	2	1	1	23	1	3	10	0
SUB TOTAL	1	3	2	5	14	5	1	83	2	7	34	0
1130-1145	1	1	1	0	3	0	0	8	0	1	15	0
1145-1200	0	0	0	1	2	1	0	13	1	0	16	0
1200-1215	0	3	1	1	3	2	0	12	1	3	19	2
1215-1230	0	2	1	1	2	3	0	17	0	5	12	0
SUB TOTAL	1	6	3	3	10	6	0	50	2	9	62	2

AM PEAK HOUR

Geospace Research Associates

Urban and Regional Geographers 491 Edgeworth Avenue, Ottawa, Ontario. K2B 5L2

VEHICLE VOLUME FIELD SHEET
PAGE 2

Date (D/M/Yr) 23/11/06

Day Name Thursday

TIME	EASTBOUND APPROACH ON Cambrian			WESTBOUND APPROACH ON Cambrian			NORTHBOUND APPROACH ON Greenbank			SOUTHBOUND APPROACH ON Greenbank		
	LT	ST	RT	LT	ST	RT	LT	ST	RT	LT	ST	RT
1230-1245	0	2	1	1	3	2	0	21	2	0	13	1
1245-1300	0	0	0	0	5	2	0	22	1	3	19	0
1300-1315	0	3	1	0	2	3	0	16	0	1	18	1
1315-1330	0	1	0	1	2	1	0	12	1	1	19	0
SUB TOTAL	0	6	2	2	12	8	0	71	4	5	69	2
1500-1515	0	2	1	0	4	1	1	8	2	3	25	1
1515-1530	1	2	0	0	8	4	1	19	0	3	34	0
1530-1545	0	4	2	0	1	0	1	14	0	1	32	1
1545-1600	1	8	0	1	6	1	0	11	0	1	36	0
SUB TOTAL	2	16	3	1	19	6	3	52	2	8	127	2
1600-1615	0	9	0	2	8	5	0	17	1	1	37	2
1615-1630	0	5	1	2	3	2	0	21	1	2	33	0
1630-1645	0	9	2	0	3	4	1	23	1	3	46	1
1645-1700	2	8	1	0	3	2	1	17	2	0	31	4
SUB TOTAL	2	31	4	4	17	13	2	78	5	6	147	7
1700-1715	0	14	1	1	6	1	0	22	0	2	27	5
1715-1730	0	6	0	2	2	1	1	13	1	2	50	0
1730-1745	0	7	1	0	1	1	0	16	3	1	37	0
1745-1800	0	5	0	1	2	1	0	12	2	2	34	1
SUB TOTAL	0	32	2	4	11	4	1	63	6	7	148	6
TOTAL	28	112	22	30	179	76	10	587	28	52	667	24

PM PEAK
HOUR

Geospace Research Associates

Urban and Regional Geographers 491 Edgeworth Avenue, Ottawa, Ontario. K2B 5L2

VEHICLE VOLUME FIELD SHEET

Street 1 Cambrian Road Street 2 Cedarview Road

Road Conditions wet Date (D/M/Yr) 16/11/06 Day Name Thursday

Start Time 0700

Number of Hours 8

AM
PEAK
TRAVEL

TIME	EASTBOUND APPROACH ON N/A			WESTBOUND APPROACH ON Cambrian			NORTHBOUND APPROACH ON Cedarview			SOUTHBOUND APPROACH ON Cedarview		
	LT	ST	RT	LT	ST	RT	LT	ST	RT	LT	ST	RT
0700-0715				0	N/A	3	N/A	2	0	1	2	N/A
0715-0730				2		7		3	0	2	4	
0730-0745				3		12		6	0	2	4	
0745-0800				1		9		2	1	3	4	
SUB TOTAL	0	0	0	6	0	31	0	13	1	8	14	0
0800-0815				2		14		6	3	12	5	
0815-0830				1 ₄		14 ₄₉		5 ₁₉	0 ₄	2 ₁₉	1 ₁₄	
0830-0845				3		5		4	0	1	4	
0845-0900				2		11		5	3	2	6	
SUB TOTAL	0	0	0	8	0	44	0	20	6	17	16	0
0900-0915				1		6		6	1	1	2	
0915-0930				0		7		4	1	2	7	
0930-0945				2		2		3	1	1	1	
0945-1000				1		2		3	1	3	3	
SUB TOTAL	0	0	0	4	0	17	0	16	4	7	13	0
1130-1145				2		4		4	2	1	8	
1145-1200				1		1		0	0	0	4	
1200-1215				1		3		5	1	1	4	
1215-1230				2		2		4	2	0	2	
SUB TOTAL	0	0	0	6	0	10	0	13	5	2	18	0

Geospace Research Associates

Urban and Regional Geographers 491 Edgeworth Avenue, Ottawa, Ontario. K2B 5L2

VEHICLE VOLUME FIELD SHEET
PAGE 2

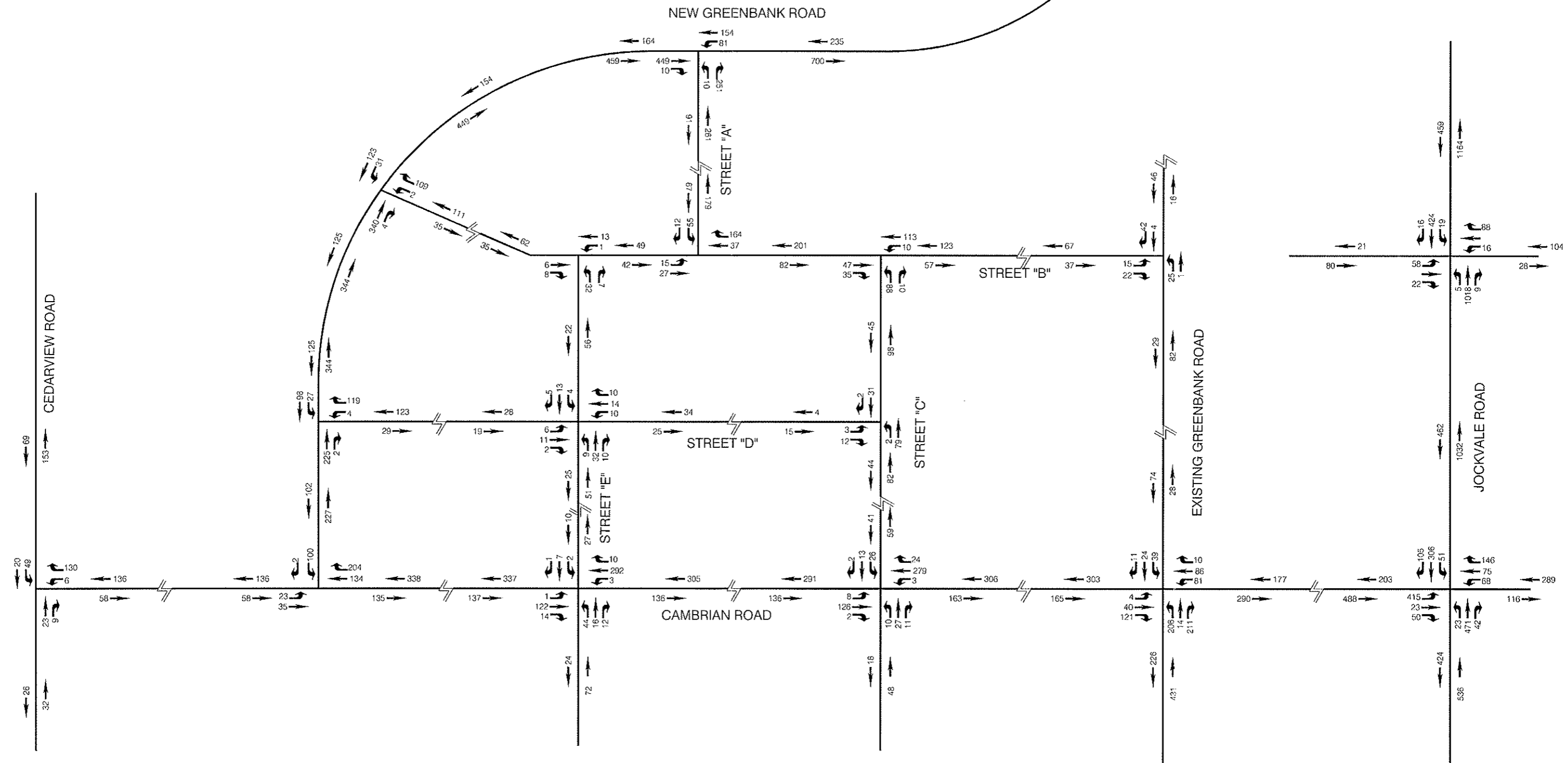
Date (D/M/Yr) 16/11/06

Day Name Thursday

TIME	EASTBOUND APPROACH ON N/A			WESTBOUND APPROACH ON Cambrian			NORTHBOUND APPROACH ON Cedarview			SOUTHBOUND APPROACH ON Cedarview		
	LT	ST	RT	LT	ST	RT	LT	ST	RT	LT	ST	RT
1230-1245				0	N/A	2	N/A	1	1	3	2	N/A
1245-1300				1		1		5	1	1	3	
1300-1315				2		2		5	1	4	3	
1315-1330				0		0		1	2	2	2	
SUB TOTAL	0	0	0	3	0	5	0	12	5	10	10	0
1500-1515				0		1		1	5	4	4	
1515-1530				3		2		3	0	0	4	
1530-1545				3		2		3	2	3	2	
1545-1600				0		5		3	4	9	3	
SUB TOTAL	0	0	0	6	0	10	0	10	11	16	13	0
1600-1615				1		6		3	0	3	7	
1615-1630				2		3		0	1	7	4	
1630-1645				1 ₄		4 ₁₈		2 ₈	1 ₆	2 ₂₁	6 ₂₀	
1645-1700				1		2		6	2	3	2	
SUB TOTAL	0	0	0	5	0	15	0	11	4	15	19	0
1700-1715				1		2		5	0	6	2	
1715-1730				0		2		3	0	10	3	
1730-1745				1		4		0	0	3	2	
1745-1800				1		2		1	0	2	2	
SUB TOTAL	0	0	0	3	0	10	0	9	0	21	9	0
TOTAL				41		142		104	36	96	112	

*PM
2:00
N/A*

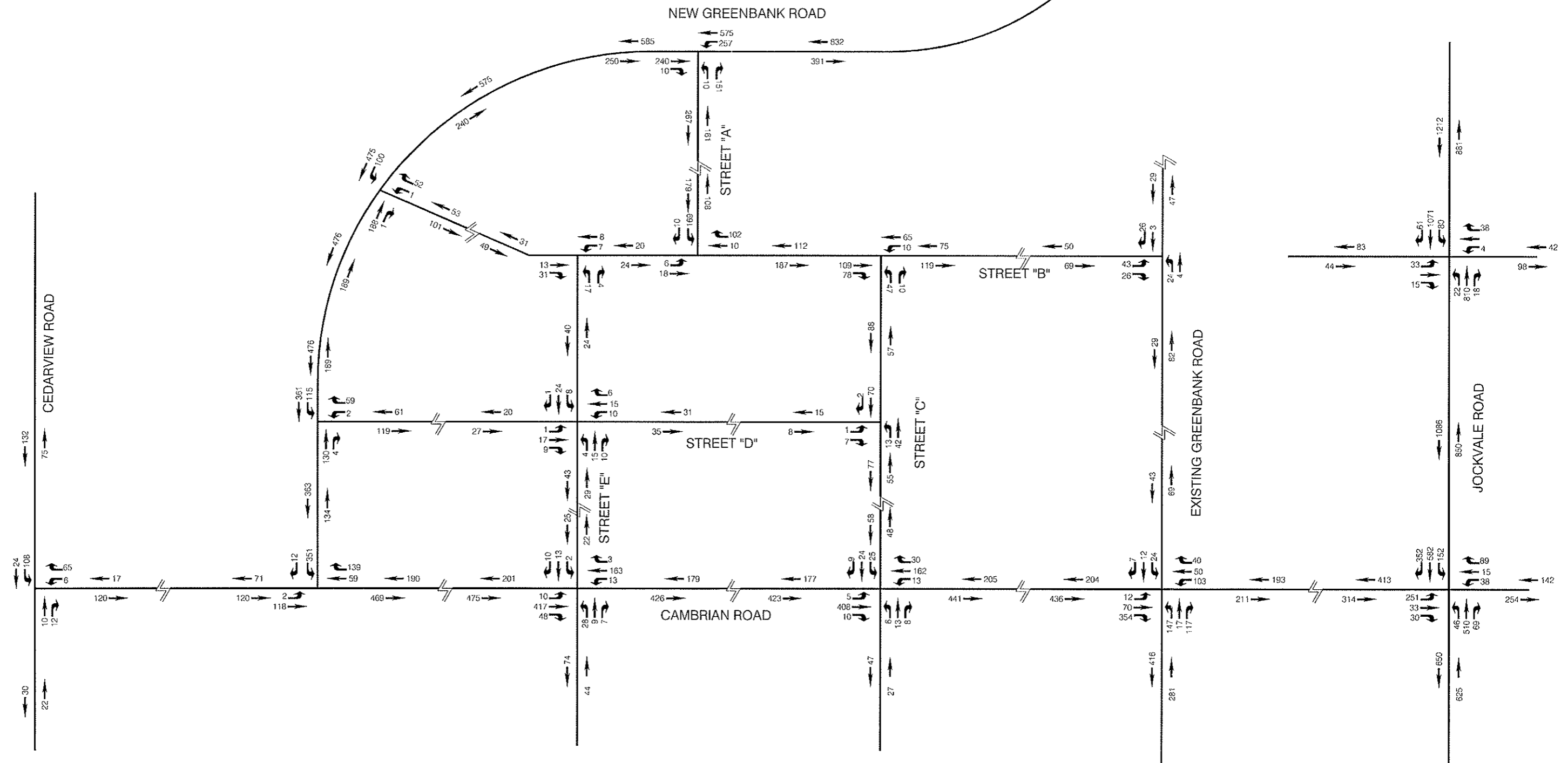
**EXTRACTS FROM MATTAMY HALF MOON BAY – PHASE 1
TRAFFIC IMPACT STUDY**



HALF MOON BAY
TRAFFIC IMPACT STUDY



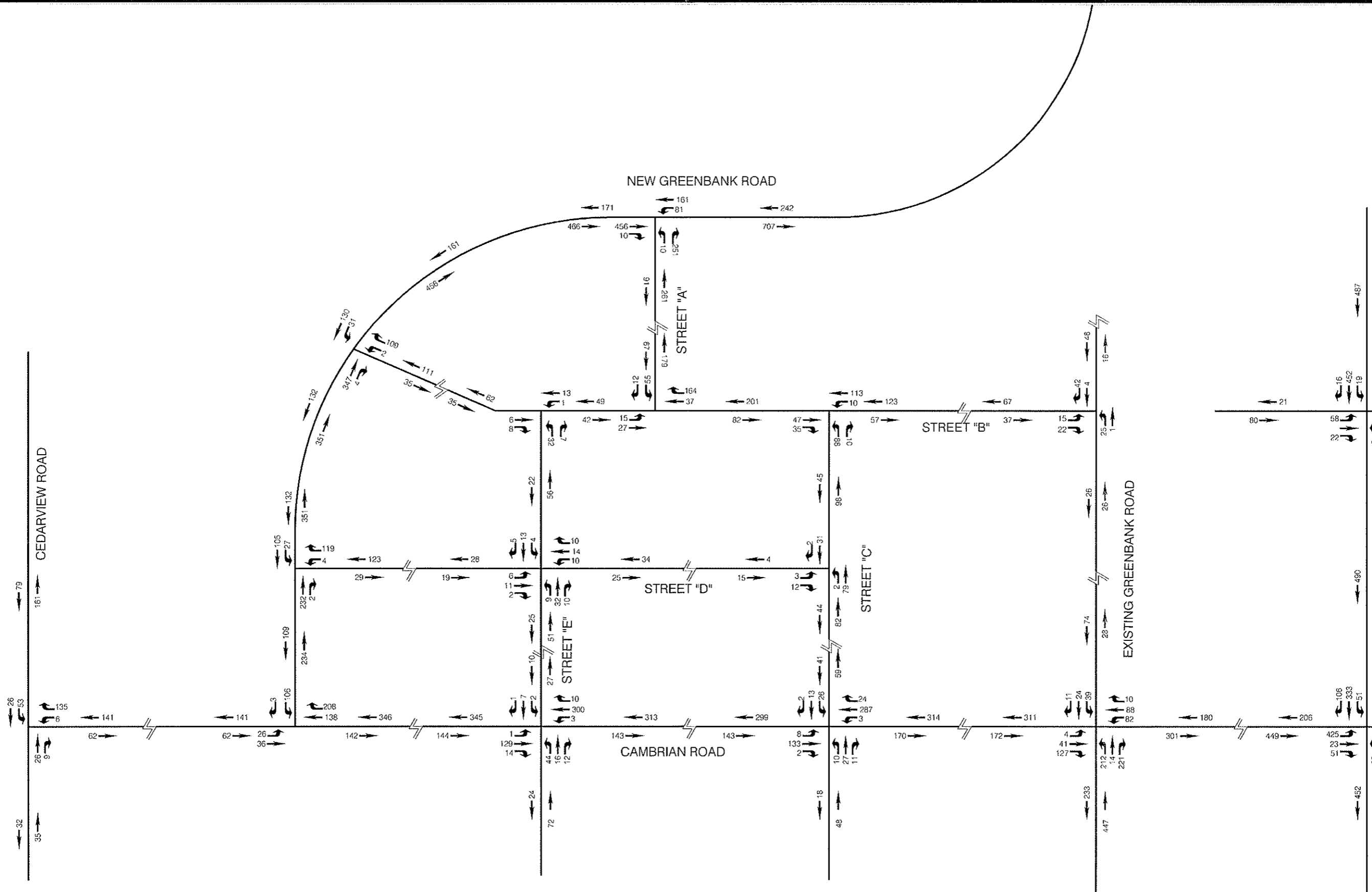
EXHIBIT 8A
FUTURE (2013) BACKGROUND PLUS
SITE GENERATED TRAFFIC
AM PEAK HOUR



HALF MOON BAY
TRAFFIC IMPACT STUDY

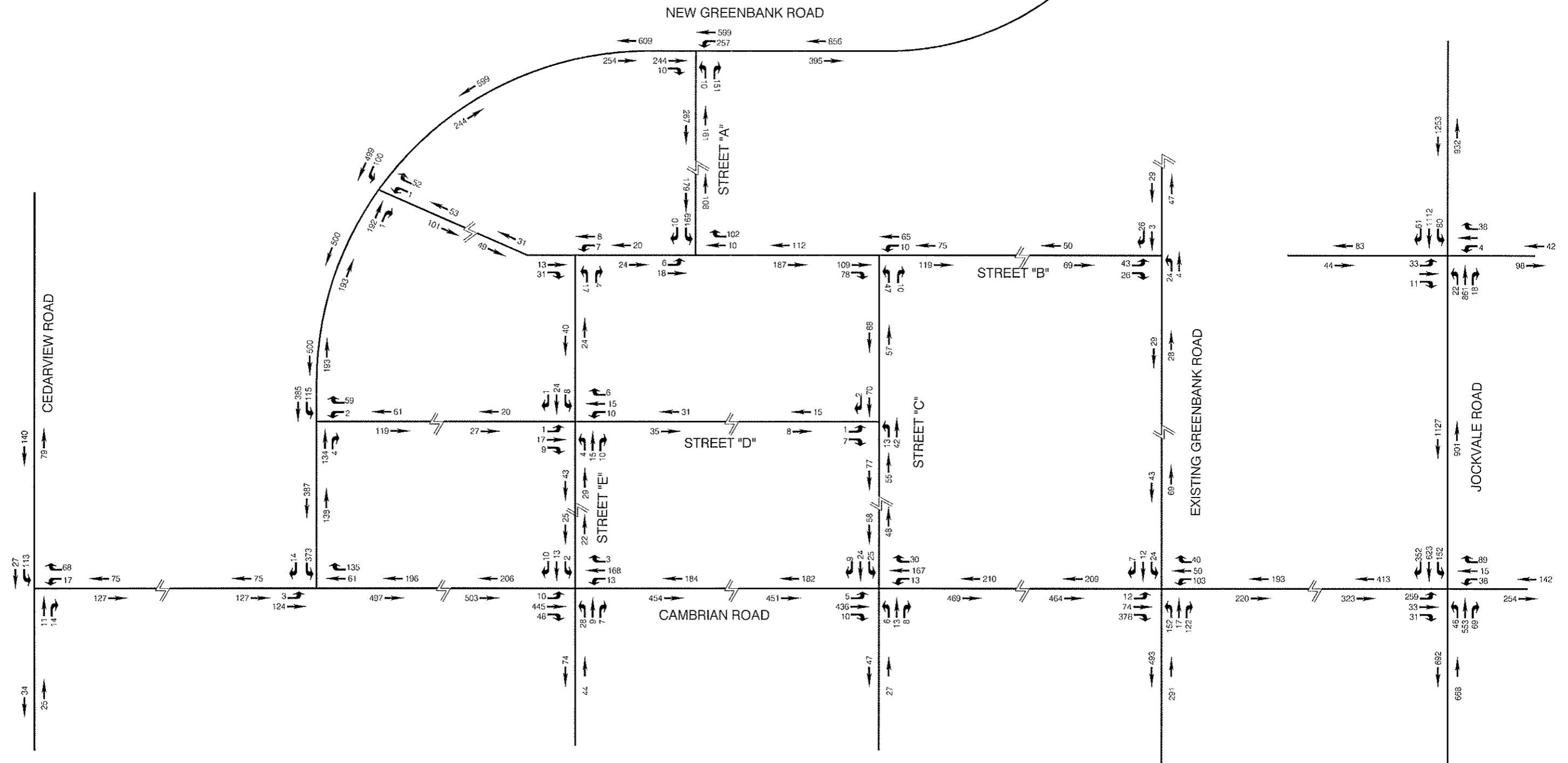


EXHIBIT 8B
FUTURE (2013) BACKGROUND PLUS
SITE GENERATED TRAFFIC
PM PEAK HOUR



HALF MOON BAY
TRAFFIC IMPACT STUDY

EXHIBIT 9A
FUTURE (2018) BACKGROUND PLUS
SITE GENERATED TRAFFIC
AM PEAK HOUR



HALF MOON BAY
TRAFFIC IMPACT STUDY



EXHIBIT 9B
FUTURE (2018) BACKGROUND PLUS
SITE GENERATED TRAFFIC
PM PEAK HOUR