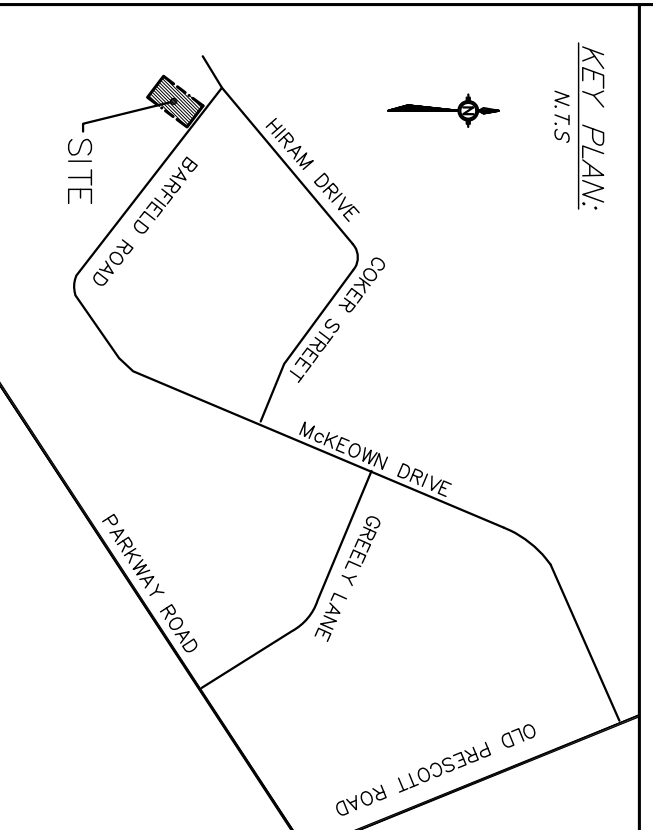


DRAWING NUMBER:
100667-2

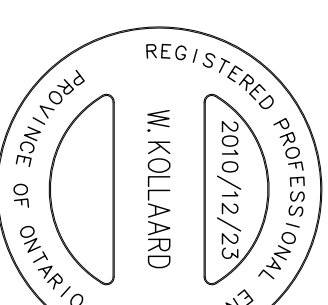
KEY PLAN
N 7.5



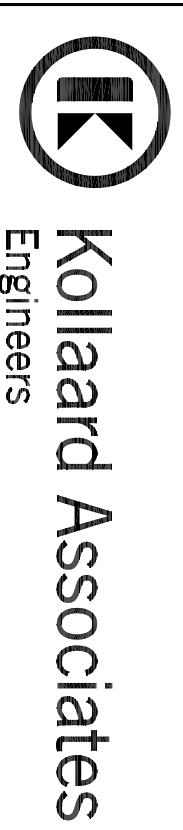
DRAWING:
GRADE CONTROL AND DRAINAGE

CONSTRUCTION NOTES:

- All dimensions and elevations are in metres.
- TBM = Nail in utility pole (NE property corner).
- Elevations = 99.63 (Ceodetic) for location and 99.65 (Ceodetic) for site.
- Contractor is responsible for location and location of utilities.
- Top of Foundation (TOP) elevation and Under-slab of Footing (USF) elevation for dwelling are as shown on drawing.
- Finished grade ground dwelling to be as shown.
- Maximum allowable slope on site is 3H:1V.
- Finished grade to slope away from house at all sides at a minimum of 2%, and a maximum of 7%.
- Maximum slope away from septic system area is 3H:1V.
- All dimensions to be verified on site by contractor prior to construction.
- Any changes made to this plan must be verified and approved by Kollaard Associates Inc.
- Client is responsible for acquiring all necessary permits.
- The proposed grades have been set and verified by a qualified geotechnical engineer. The structure location should be verified with respect to subsurface conditions by qualified geotechnical personnel after completion of the excavation.
- The underside of footing elevation may not have accounted for actual ground water conditions at the exact structure location and should be verified by a qualified geotechnical personnel upon completion of the excavation.
- A geotechnical engineer should be retained to provide geotechnical recommendations with respect to the sub-grade conditions prior to footing installation.



REV.	NAME	DATE	DESCRIPTION



P.O. BOX 199, 210 PRESCOTT ST. (613) 860-0923
KEMPVILLE, ONTARIO
K0G 1J0 FAX (613) 258-0475
http://www.kollaard.ca info@kollaard.ca

CLIENT: WICKED GARAGE, INC.

PROJECT: PROPOSED FABRICATION SHOP

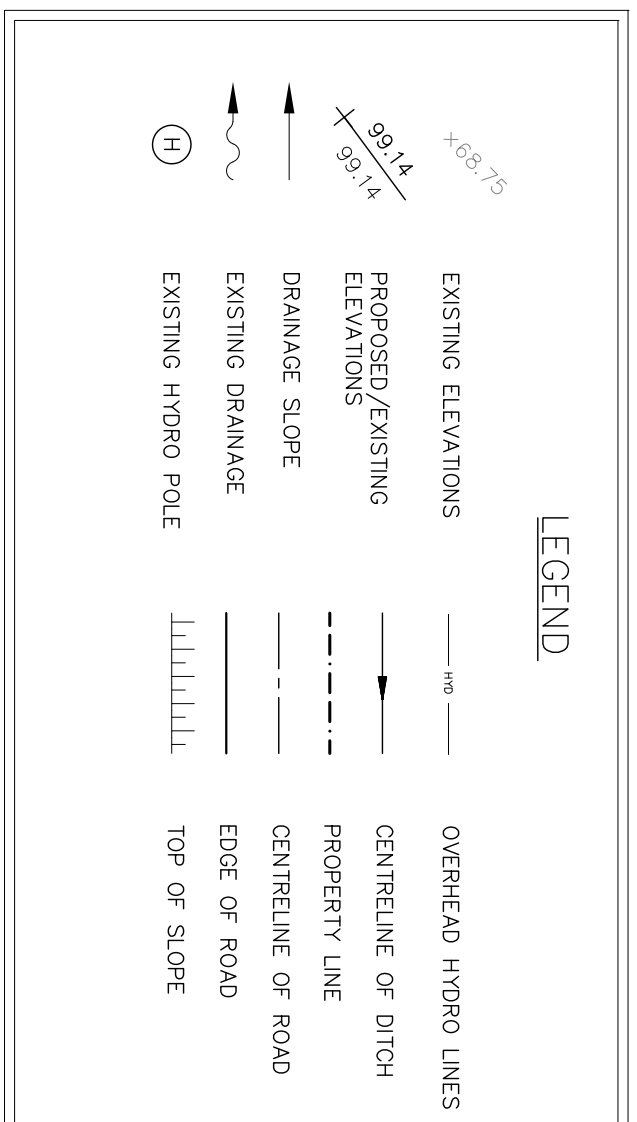
LOCATION:

1344 BARFIELD ROAD
PLAN 4W-351 PT BLK 5 RP:
4R05427 PARTS 62, 63 & 64
LOT 5 - CON 4, OSGOODE,
CITY OF OTTAWA, ONTARIO

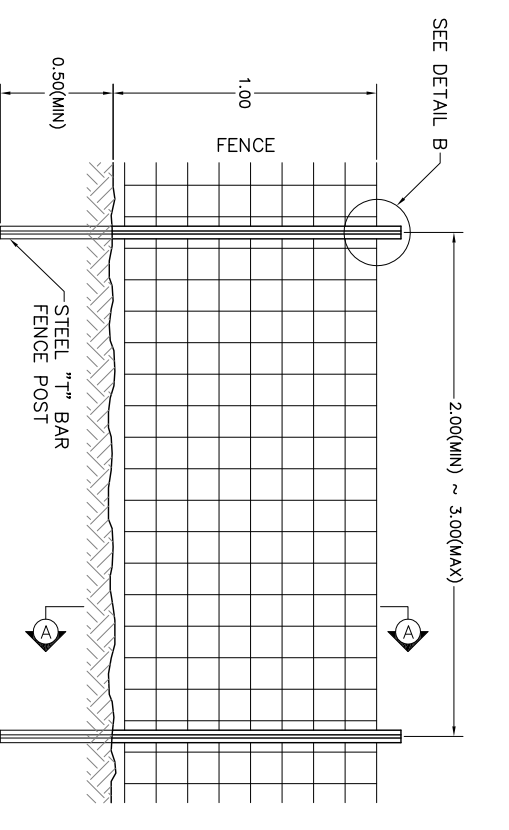
DESIGNED BY: WK DATE: DEC. 23, 2010

DRAWN BY: ML SCALE: 1:200

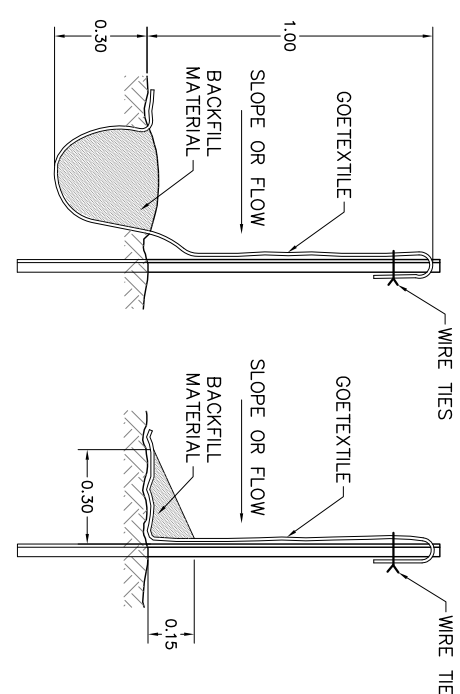
KOLLAARD FILE NUMBER:
100667



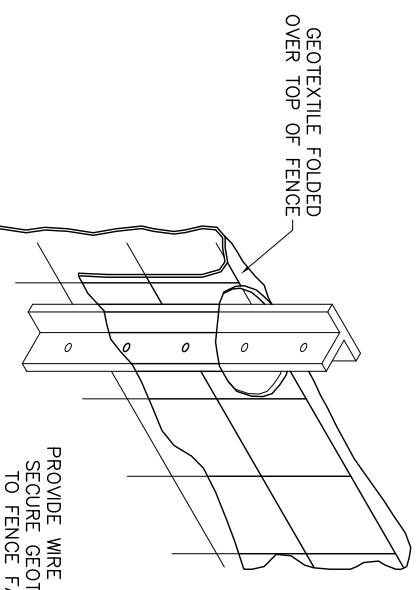
ELEVATION ~ SILT FENCE
(GEOTEXTILE NOT SHOWN FOR CLARITY)



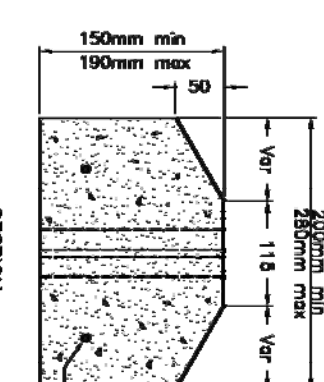
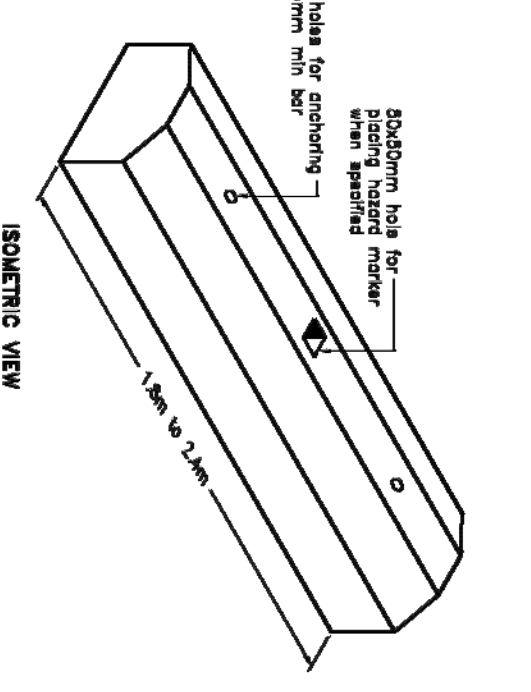
SECTION A-A



DETAIL B

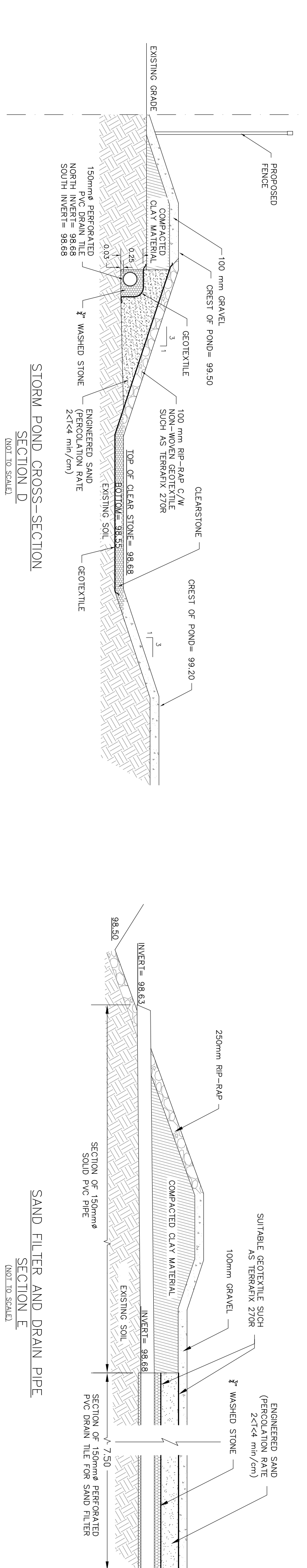
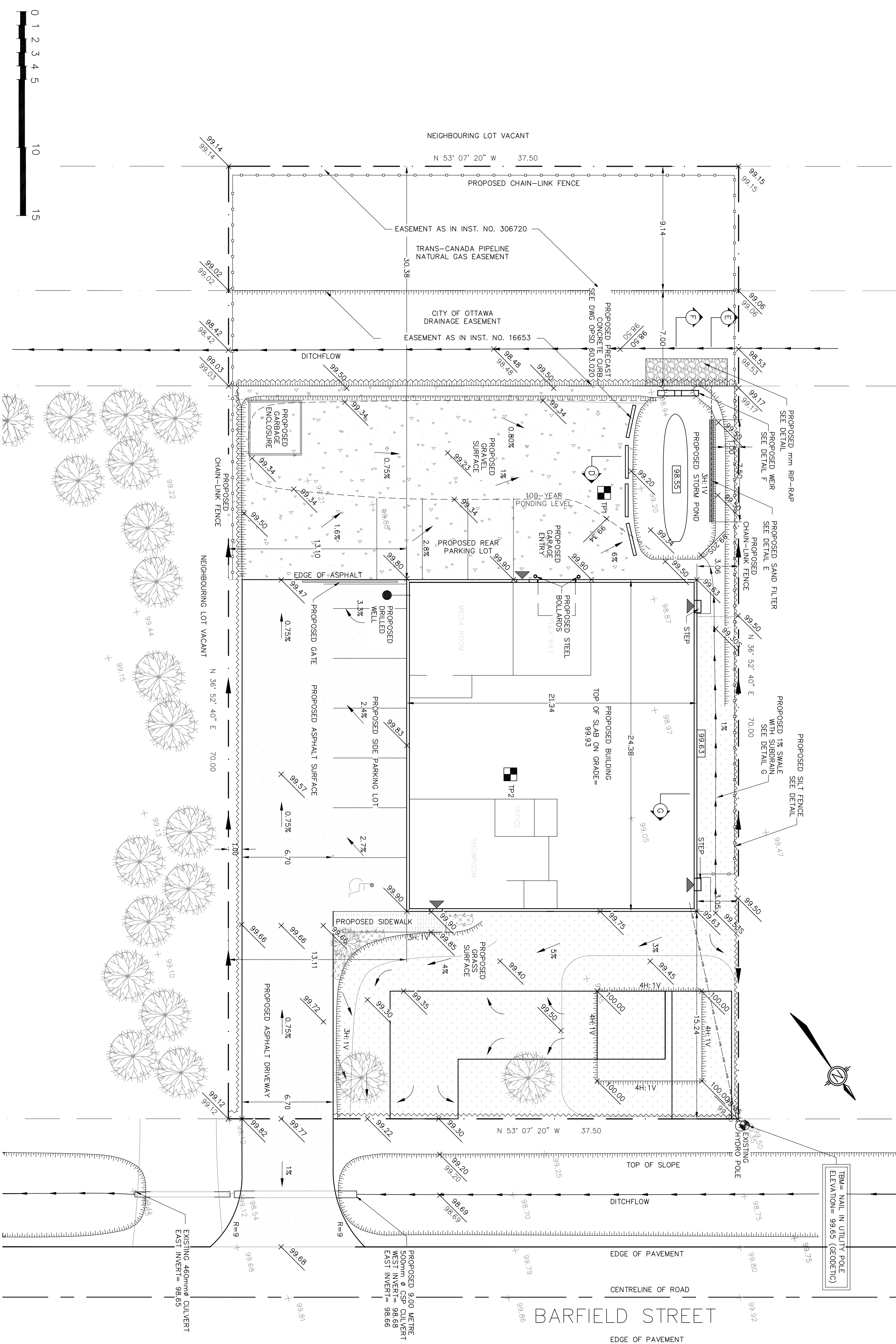


NOTES:
1. GEOTEXTILE TO BE Laid ON SLOPE ON THE UPSTREAM SIDE OF FENCE.
2. BARRIERS TO BE CONSTRUCTED WITH 2 BARRIERS LAYER OVER GEOTEXTILE TO BE CLEAR STONE.
3. WIRE TIES TO BE 10mm DIA. GALV. STEEL WIRE TIES TO FINE FABRIC.

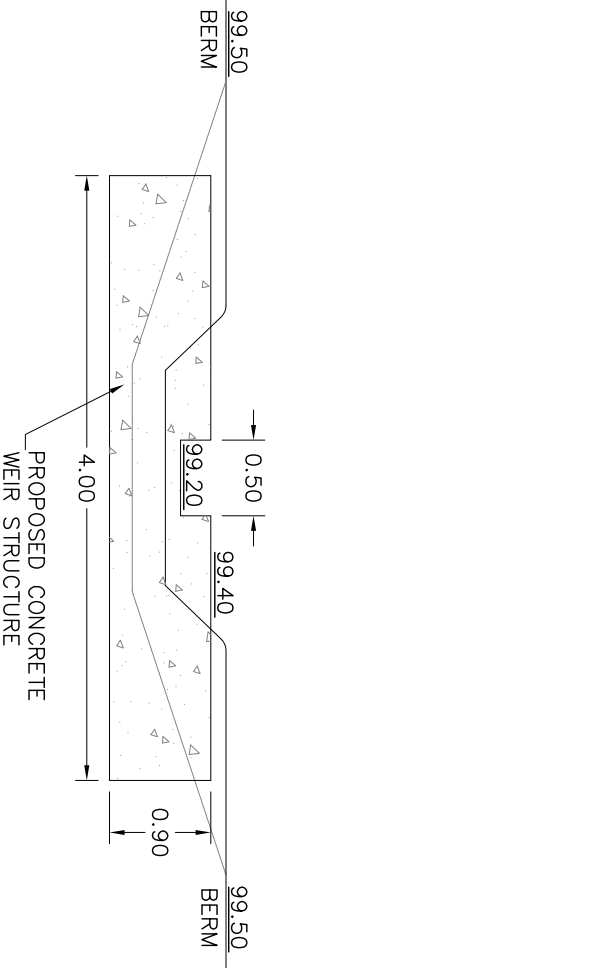
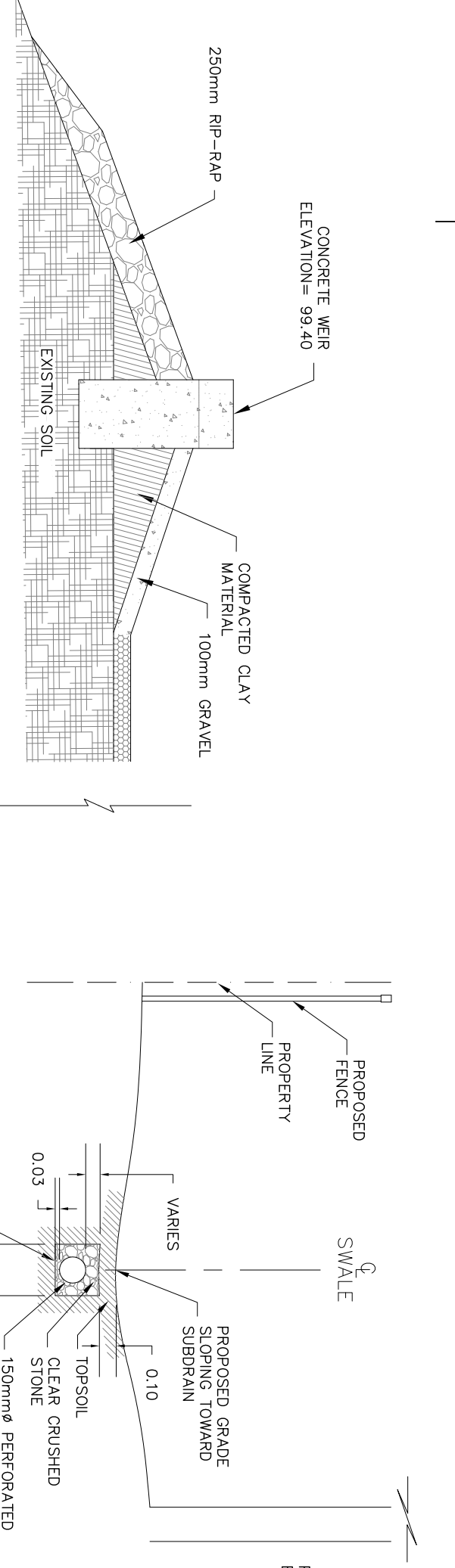


NOTES:
1. CURB TO BE Laid ON SLOPE ON THE UPSTREAM SIDE OF FENCE.
2. BARRIERS TO BE CONSTRUCTED WITH 2 BARRIERS LAYER OVER GEOTEXTILE TO BE CLEAR STONE.
3. WIRE TIES TO BE 10mm DIA. GALV. STEEL WIRE TIES TO FINE FABRIC.

PRECAST CONCRETE CURB
0750 805.020



SAND FILTER AND DRAIN PIPE
SECTION E
(NOT TO SCALE)



FRONT VIEW OF WEIR
(NOT TO SCALE)

TOP VIEW OF WEIR
(NOT TO SCALE)