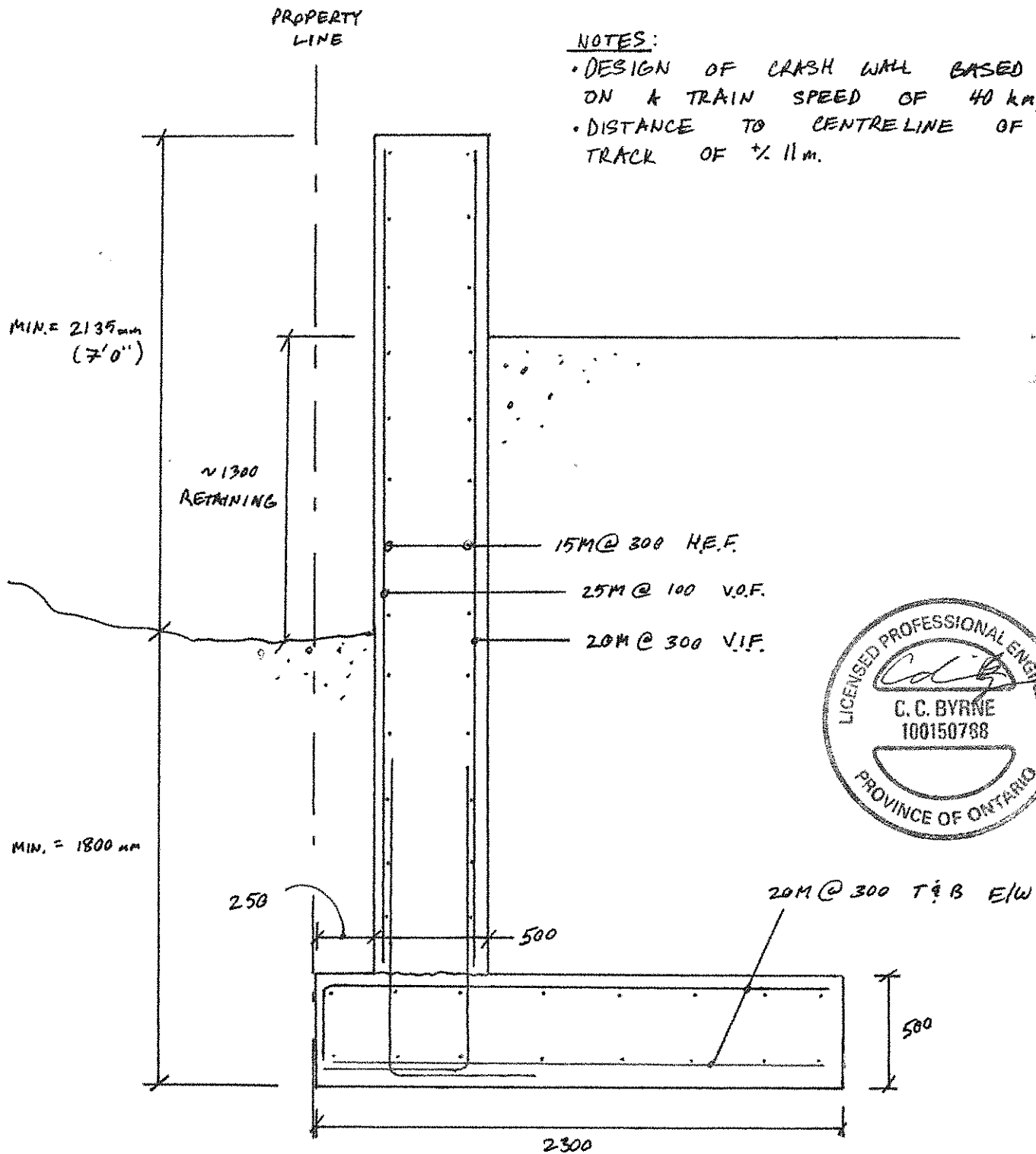


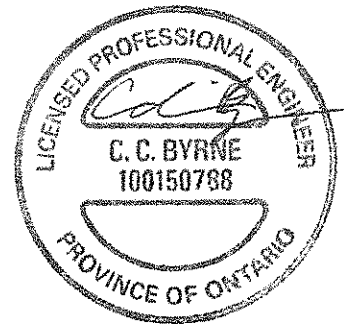


Project	401 MARCH ROAD	Job Number	111874.0001
Date	31 OCT /14	Page	1 of 1
Designer	CB		



NOTES:

- DESIGN OF CRASH WALL BASED ON A TRAIN SPEED OF 40 km/h
- DISTANCE TO CENTRELINE OF TRACK OF +/- 11m.



SECTION AT CRASH WALL
(1:25)