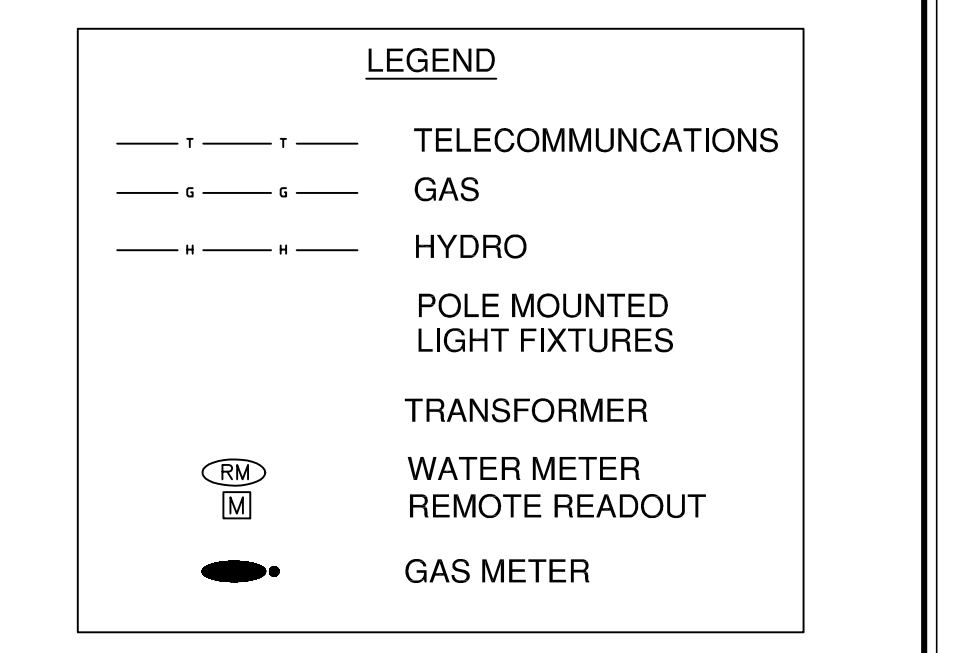
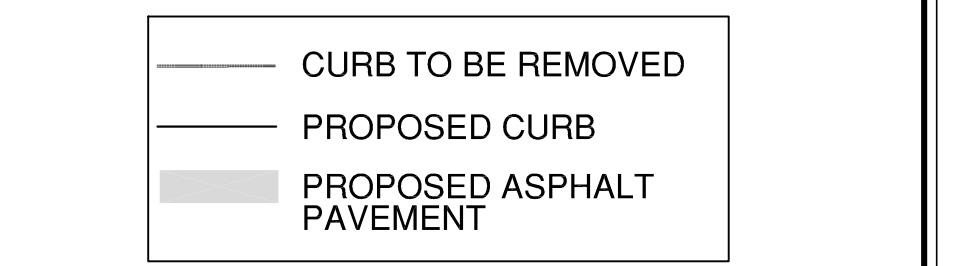


KEY PLAN  
NTS



NOTE:  
THIS DRAWING SHALL BE READ  
IN CONJUNCTION WITH DRAWING  
5 OF 8, NOTES & DETAILS  
PROJECT 12007

LOCAL BENCHMARK:  
CUT CROSS IN CONCRETE TRAFFIC ISLAND AT THE NORTH-EAST  
CORNER OF EARL ARMSTRONG ROAD AND LIMEBANK ROAD  
AS ESTABLISHED BY ANNIS, O'SULLIVAN, VOLLEBEK LTD. O.L.S.

ELEVATION 92.87

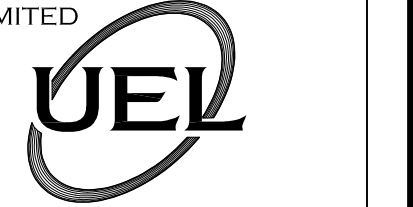
No.	By	Date	Revision	Checked
1.	C.R.M.	Apr 9/14	ISSUED FOR SITE PLAN APPROVAL	
2.	J.H.	May 20/14	REVISED AS PER CITY COMMENTS	
3.	J.H.	Aug 12/14	SITE PLAN REVISION	
4.	C.R.M.	Jan 28/15	REVISED AS PER CITY COMMENTS	
5.	D.S.	Aug 14/15	SITE PLAN REVISIONS	
6.	D.S.	Aug 29/15	REVISED AS PER CITY COMMENTS	
7.	D.S.	Nov 2/15	SITE PLAN REVISIONS/CITY COMMENTS	

APPROVED AS TO FORM IN RELIANCE UPON  
THE PROFESSIONAL SKILL AND ABILITY OF  
URBAN ECOSYSTEMS LIMITED AS TO DESIGN  
AND SPECIFICATION.

Director of Engineering \_\_\_\_\_ Date \_\_\_\_\_



URBAN ECOSYSTEMS LIMITED  
7050 WESTON ROAD, SUITE 705  
WOODBRIDGE, ONTARIO L4L 8G7  
info@urbanecosystems.com  
1. (905) 856-0429  
1. (905) 856-0498



TOWN SQUARE CENTRE  
RIVERSIDE SOUTH  
CITY OF OTTAWA

MORGUARD INVESTMENTS LTD.  
55 CITY CENTER DRIVE  
MISSISSAUGA, ONTARIO

FILE No D07-12-14-0067  
COMPOSITE UTILITY PLAN

Designed By	XXX	Date	APR 2014	Checked By	R.S.
Drawn By	XXX	Approved By			
Scale:	1:500	Project No.	12007	Drawing No.	7 of 8