

SITE SERVICING, GRADING AND DRAINAGE, EROSION AND SEDIMENTATION CONTROL PLAN - WEST
SCALE: 1:250

- GENERAL NOTES**
- DESIGN AND CONSTRUCTION IS TO BE IN ACCORDANCE WITH MOST RECENT ONTARIO BUILDING CODE.
 - THE CONTRACTOR IS RESPONSIBLE FOR CHECKING AND VERIFYING ALL DIMENSIONS WITH RESPECT TO SITE CONDITIONS AND ALL MATERIALS TO THE PROJECT. ANY DISCREPANCY SHALL BE REPORTED TO THE ENGINEER.
 - THIS DRAWING IS TO BE READ IN CONJUNCTION WITH ALL MATERIAL RELEVANT TO THE PROJECT. ADDITIONAL DRAWINGS MAY BE ISSUED FOR CLARIFICATION TO ASSIST PROPER EXECUTION OF WORK. SUCH DRAWINGS WILL HAVE THE SAME MEANING AND INTENT AS IF THEY WERE INCLUDED WITH THE CONTRACT DOCUMENTS.
 - DO NOT SCALE DRAWINGS.
 - CONTRACTOR MUST COMPLY WITH LOCAL BY-LAWS, CANADIAN CONSTRUCTION SAFETY CODE AND ALL REGULATIONS SET BY AUTHORITIES HAVING JURISDICTION. IN CASE OF CONFLICT OR DISCREPANCY, THE MORE STRINGENT REQUIREMENTS SHALL APPLY.
 - CONTRACTOR RESPONSIBLE FOR OBTAINING ALL REQUIRED UTILITY LOCATES, INSPECTIONS, PERMITS, AND APPROVALS, INCLUDING ALL ASSOCIATED COSTS. LOCATION OF EXISTING UTILITIES ARE APPROXIMATE ONLY AND BASED ON BEST AVAILABLE INFORMATION.
 - PROPERTY AND TOPOGRAPHIC INFORMATION WAS PREPARED BY: ANNIS, O'SULLIVAN, VOLLEBEKK, FROM A SURVEY DATED APRIL, 2014.

- DRAWING NOTES**
- MATCH EXISTING GRADES AT PROPERTY LINE AND LIMITS OF WORK.
 - INSTALL NEW ASPHALT PAVEMENT, MATCH EXISTING ASPHALT AND GRANULAR DEPTH.
 - INSTALL NEW CONCRETE CURB AND GUTTER WITH SIDEWALK PER CITY OF OTTAWA STANDARD DETAIL DRAWING SC3.
 - CONNECT NEW ROOF DRAINAGE (INTERIOR PLUMBING) TO EXISTING STORM SEWER SERVICE.
 - CONNECT NEW SANITARY SERVICE TO EXISTING. REFER TO MECHANICAL PLANS.
 - CONNECT NEW WATER SERVICE TO EXISTING. REFER TO MECHANICAL PLANS.
 - CONSTRUCT NEW SITE ENTRANCE IN ACCORDANCE WITH CITY OF OTTAWA STANDARD DETAIL DRAWING SC 7.1.
 - INSTALL NEW MONOLITHIC CONCRETE CURB AND SIDEWALK AS PER CITY OF OTTAWA STANDARD DETAIL DRAWING SC 2.
 - INSTALL NEW INTERLOCK PAVING STONES IN ACCORDANCE WITH CITY OF OTTAWA STANDARD DETAIL DRAWING SC 9.
 - EXISTING SANITARY SEWER SERVICE CONNECTS TO 250mmØ MUNICIPAL SANITARY SEWER ON BANK PLACE. LOCATION SHOWN ON AS-BUILT DRAWINGS FOR CHRYSLER CANADA LIMITED PREPARED BY CUMMINGS, SCALLY AND ASSOCIATES LIMITED, DATED MARCH, 1973.
 - INSTALL NEW STORMCEPTOR STCT50 OR APPROVED EQUIVALENT, MINIMUM 80% TSS REMOVAL OVER 300mmØ STORM SEWER. CONNECT EXISTING SEWER TO STORMCEPTOR. PROVIDE WATERTIGHT CONNECTIONS.
 - REMOVE AND REPLACE EXISTING CATCHBASIN OUTSIDE OF NEW SIDEWALK. RELOCATE NEW CATCHBASIN WHERE SHOWN AND RECONNECT TO EXISTING CATCHBASIN LEAD. PROVIDE WATERTIGHT CONNECTIONS.

DODGE

PROJECT NORTH

02	SITE PLAN APPLICATION	NOV 01, 2014
01	CLIENT REVIEW	MAY 27, 2014
NO.	ISSUE & REVISIONS	DATE

SEAL: PROJECT NORTH

PROJECT SOUTH BANK DODGE CHRYSLER ADDITION

1255 JOHNSTON ROAD OTTAWA, ONTARIO

DRAWING

SITE SERVICING, GRADING AND DRAINAGE, EROSION AND SEDIMENTATION CONTROL PLAN - WEST

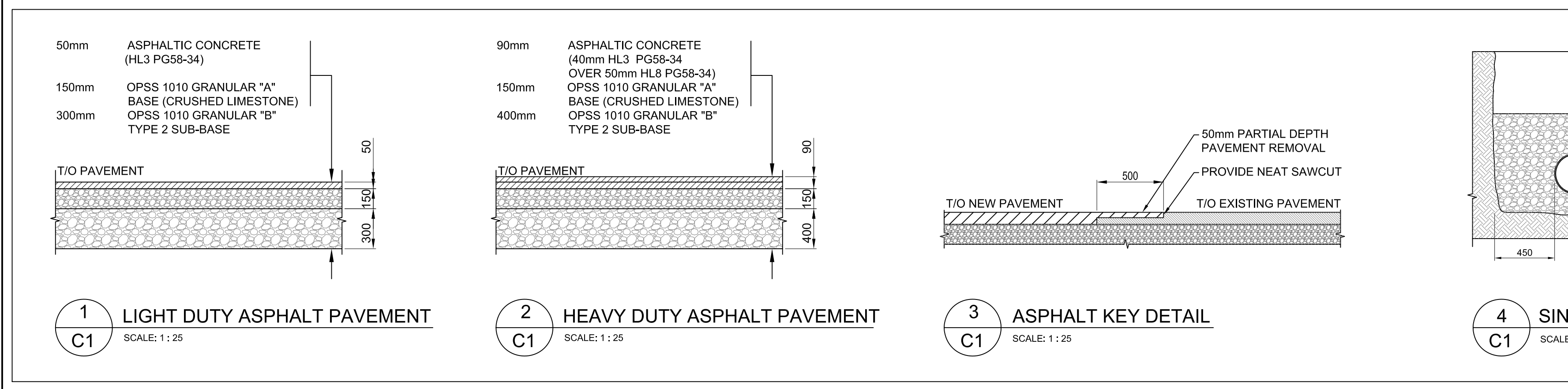
Do not scale. Refer any dimensional errors and/or possible trade interference/conflict to the architects for clarification prior to commencement of the work. The conditions of the contract apply.

PROJECT NO. 13-43	DRAWING NO.
SCALE - 1:250	C1
DRAWN - E.A.	
CHECKED - R.T.	1 OF 2
PLOT DATE 15 APR 2014	REVISION NO.

EROSION AND SEDIMENT CONTROL

- THE CONTRACTOR SHALL IMPLEMENT BEST MANAGEMENT PRACTICES TO PROVIDE FOR PROTECTION OF THE AREA DRAINAGE SYSTEM AND THE RECEIVING WATER COURSE. DURING CONSTRUCTION ACTIVITIES, THIS INCLUDES LIMITING THE AMOUNT OF EXPOSED SOIL, INSTALLING SILT FENCES AND OTHER EFFECTIVE SEDIMENT TRAPS, AND INSTALLING AND MAINTAINING MUD MATS FOR OUTGOING CONSTRUCTION TRAFFIC DURING CONSTRUCTION ACTIVITIES.
- PREVENT SOIL LOSS DURING CONSTRUCTION (BY STORM WATER RUNOFF OR WIND EROSION).
- PROTECT TOPSOIL BY STOCKPILING FOR REUSE.
- PREVENT SEDIMENTATION OF STORM SEWERS AND RECEIVING STREAMS.
- PREVENT AIR POLLUTION FROM DUST AND PARTICULATE MATTER.
- ALL STORM MANHOLES TO HAVE 600mm SUMP.
- INSTALL FILTER CLOTH IN ALL STORM MANHOLES AND CATCHBASINS IMPACTED DURING CONSTRUCTION.
- SEDIMENT AND EROSION CONTROL MEASURES MAY BE MODIFIED IN THE FIELD AT THE DISCRETION OF THE CITY OF OTTAWA INSPECTOR OR CONSERVATION AUTHORITY.
- STORM WATER PUMPED INTO CITY SERVICE SHALL FLOW THROUGH A FILTER SOCK.

DETAILS



GEOTECHNICAL NOTES

- GEOTECHNICAL ENGINEER LICENSED IN THE PROVINCE OF ONTARIO SHALL INSPECT ALL SUBGRADE SURFACES FOR FOOTING AND PAVEMENT STRUCTURES PRIOR TO CONSTRUCTION.
- ADDITIONAL GEOTECHNICAL RECOMMENDATIONS RELATING TO THE SITE CAN BE FOUND IN THE GEOTECHNICAL INVESTIGATION REPORT FOR THE PROPOSED BUILDING ADDITIONS, 1255 JOHNSTON ROAD, BY PATERSON GROUP, DATED MAY 21, 2014.

LEGEND

