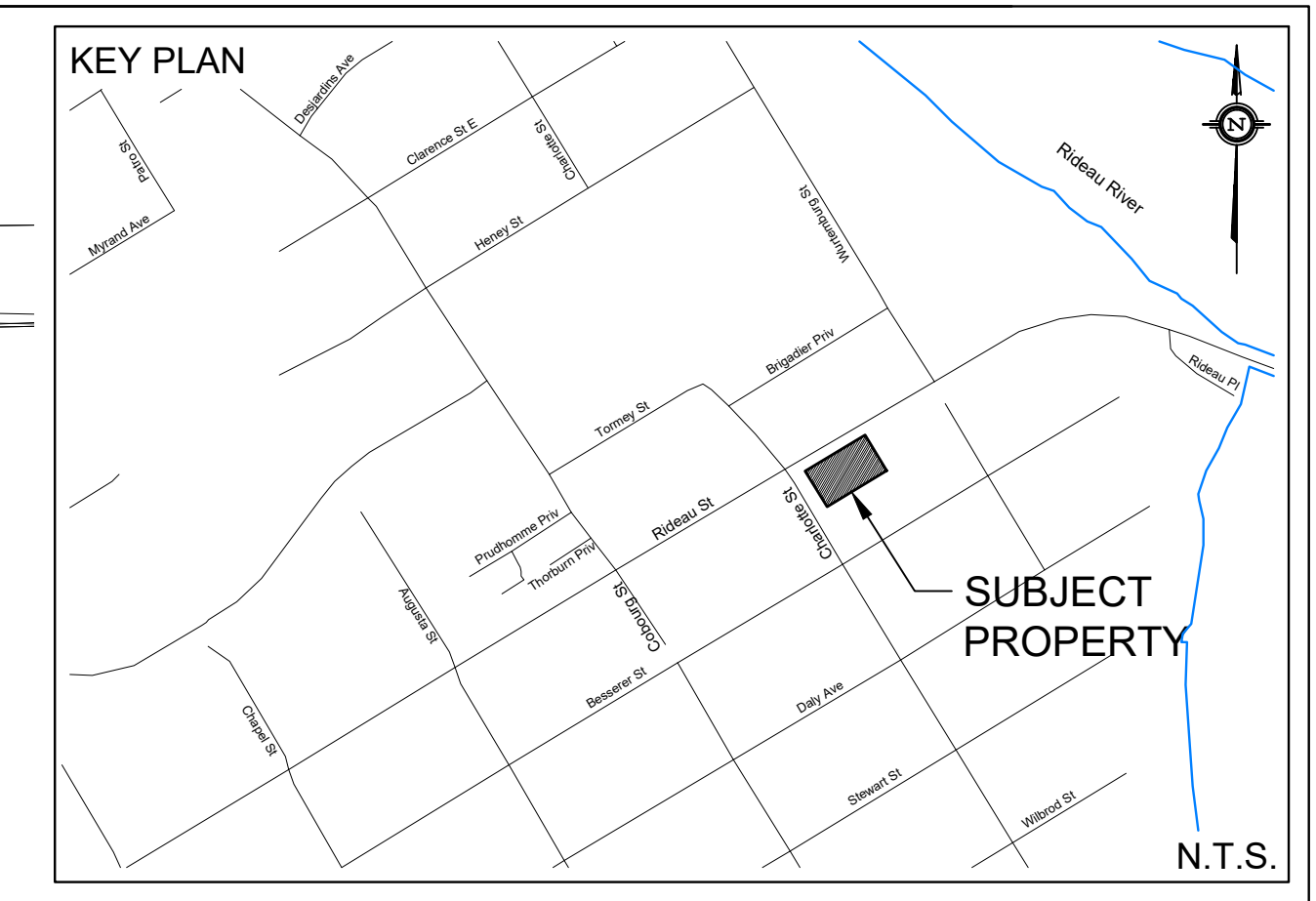
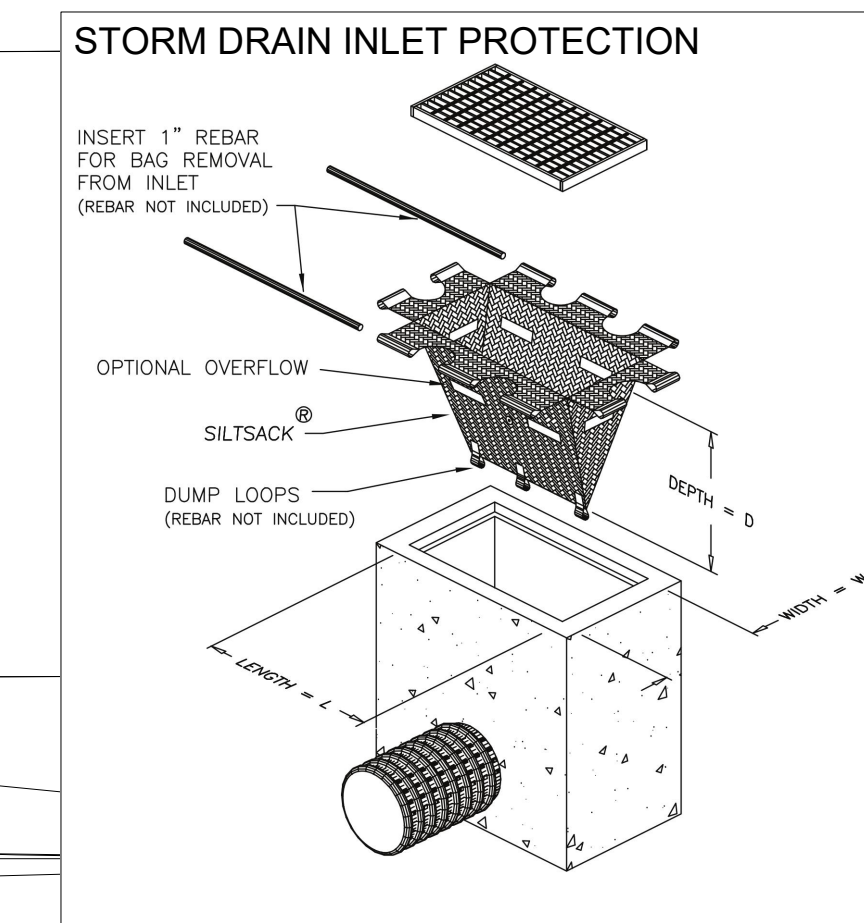


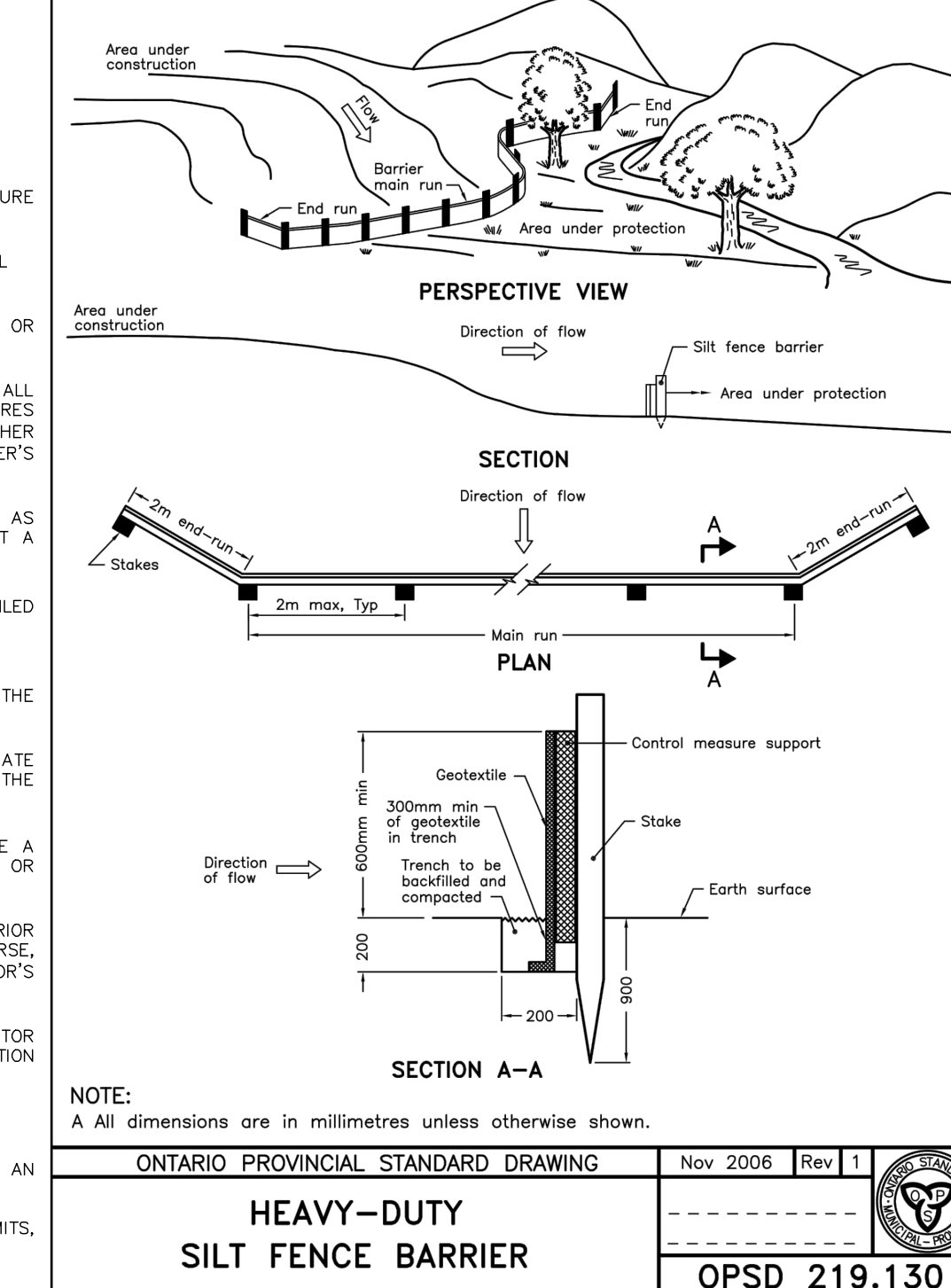
FIRE HYDRANT LOCATED APPROXIMATELY 55m WEST OF RIDEAU/CHARLOTTE INTERSECTION



LEGEND
EROSION CONTROL FENCE PER OPSD 219.130



*OR APPROVED EQUIVALENT



NOTE:
A All dimensions are in millimetres unless otherwise shown.

ONTARIO PROVINCIAL STANDARD DRAWING Nov 2006 Rev 1

HEAVY-DUTY SILT FENCE BARRIER OPSD 219.130

NOT FOR CONSTRUCTION

TOPOGRAPHIC INFORMATION
TOPOGRAPHIC INFORMATION PROVIDED BY ANNIS, O'SULLIVAN, VOLLEBEKK LTD.
PROJ. NO. 17054-16
DATED APRIL 12, 2016

SITE PLAN INFORMATION
SITE PLAN PROVIDED BY GRAZIANI + CORAZZA ARCHITECTS INC.
PROJ. NO. 1313.19Z
DATED APRIL 21, 2016

GEOTECHNICAL STUDY
GEOTECHNICAL RECOMMENDATIONS PROVIDED BY PATERSON GROUP INC.
PROJ. NO. PG2730-1
DATED APRIL 13, 2016

SITE SERVICING AND STORMWATER MANAGEMENT STUDY
SERVICING AND STORMWATER MANAGEMENT RECOMMENDATIONS PROVIDED BY DSEL
PROJ. NO. 16-849
DATED APRIL 2016

BENCHMARK
#1 - TOP OF SPINDLE OF FIRE HYDRANT LOCATED APPROXIMATELY 25m EAST OF RIDEAU/CHARLOTTE INTERSECTION
ELEV=72.82
#2 - TOP OF SPINDLE OF FIRE HYDRANT LOCATED APPROXIMATELY 55m WEST OF RIDEAU/CHARLOTTE INTERSECTION
ELEV=71.90

No.	BY	DATE	DESCRIPTION
2	A.W.T	16.12.22	ISSUED FOR MUNICIPAL REVIEW
1	B.N.C.	16.04.21	ISSUED FOR MUNICIPAL REVIEW

PROJECT No. 16-849

PROJECT No. 16-849

EROSION CONTROL PLAN
590 RIDEAU STREET © DSEL

RICHCRAFT™
Group of Companies
2280 St. Laurent Blvd., Suite 201
Ottawa, Ontario, K1G 4K1
Tel. (613) 739-7111

DSEL
david schaeffer engineering ltd
120 Iber Road Unit 103
Stittsville, Ontario, K2S 1E9
Tel. (613) 836-0856
Fax. (613) 836-7183
www.DSEL.ca

DRAWN BY: B.N.C. CHECKED BY: A.D.F. DRAWING NO. SHEET NO.
DESIGNED BY: S.L.M. CHECKED BY: A.D.F. EC-1 4 of 4
SCALE: 1:150 DATE: APRIL 2016