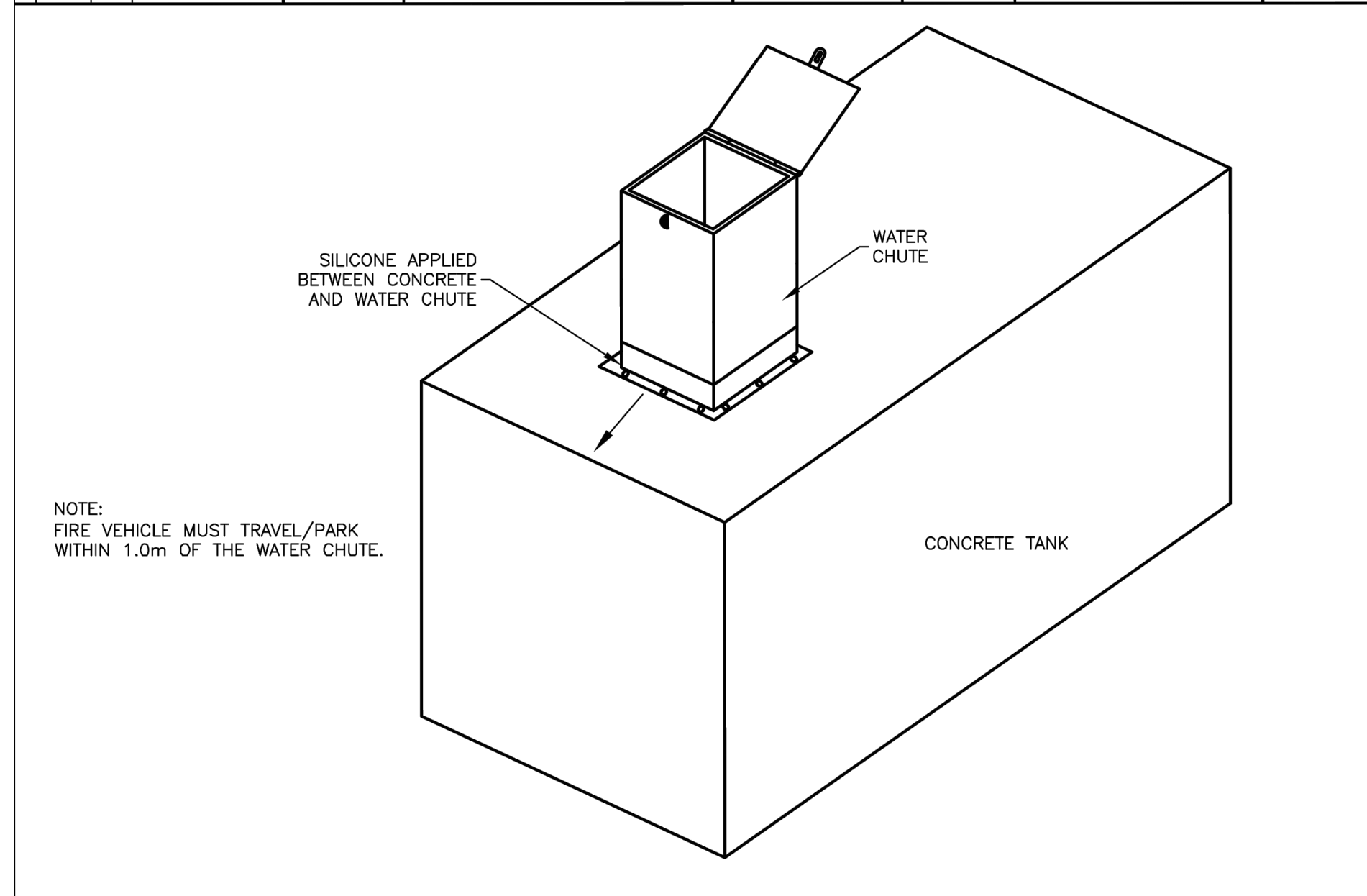
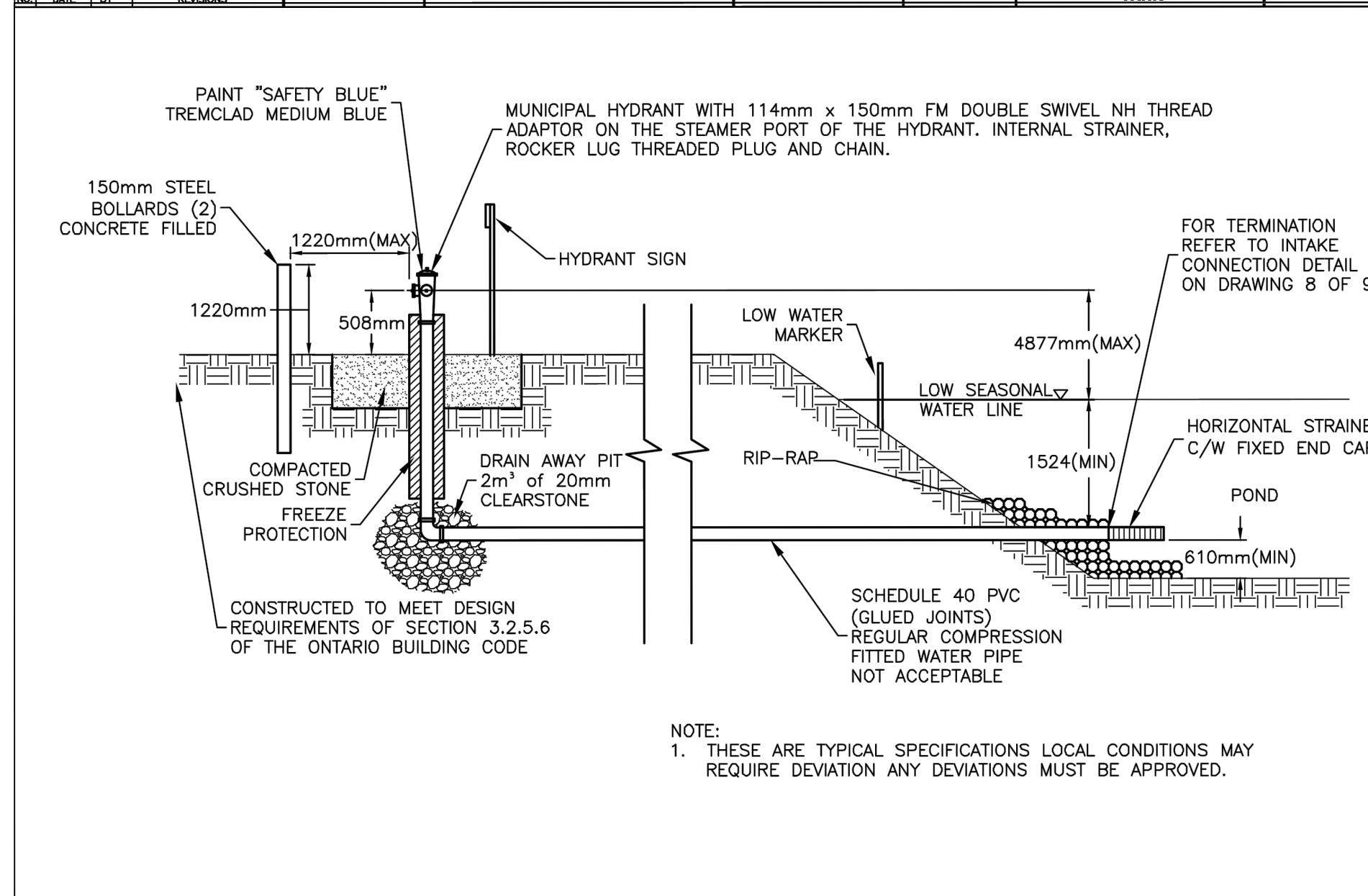


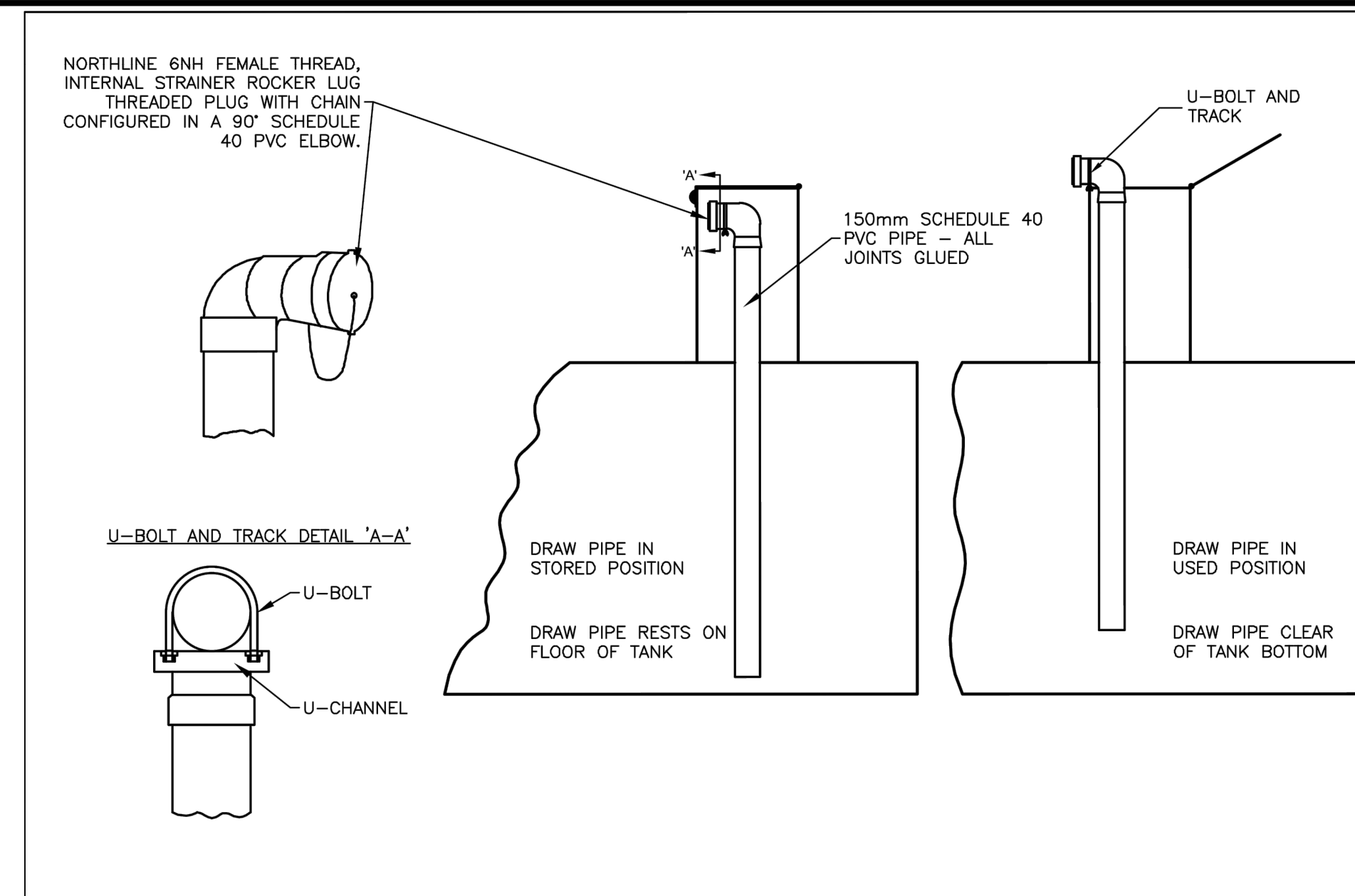
DESIGNED	JMS	DATE	OCT. 2004
DRAWN	JMS	PROJECT	CITY OF OTTAWA
CHECKED	NC	PLOTTED	OCT. 2004
APPROVED	NC		
SCALE:	NTS		
CITY OF OTTAWA			
WATER FILL STATIONS			
WATER CHUTE			FIGURE 1



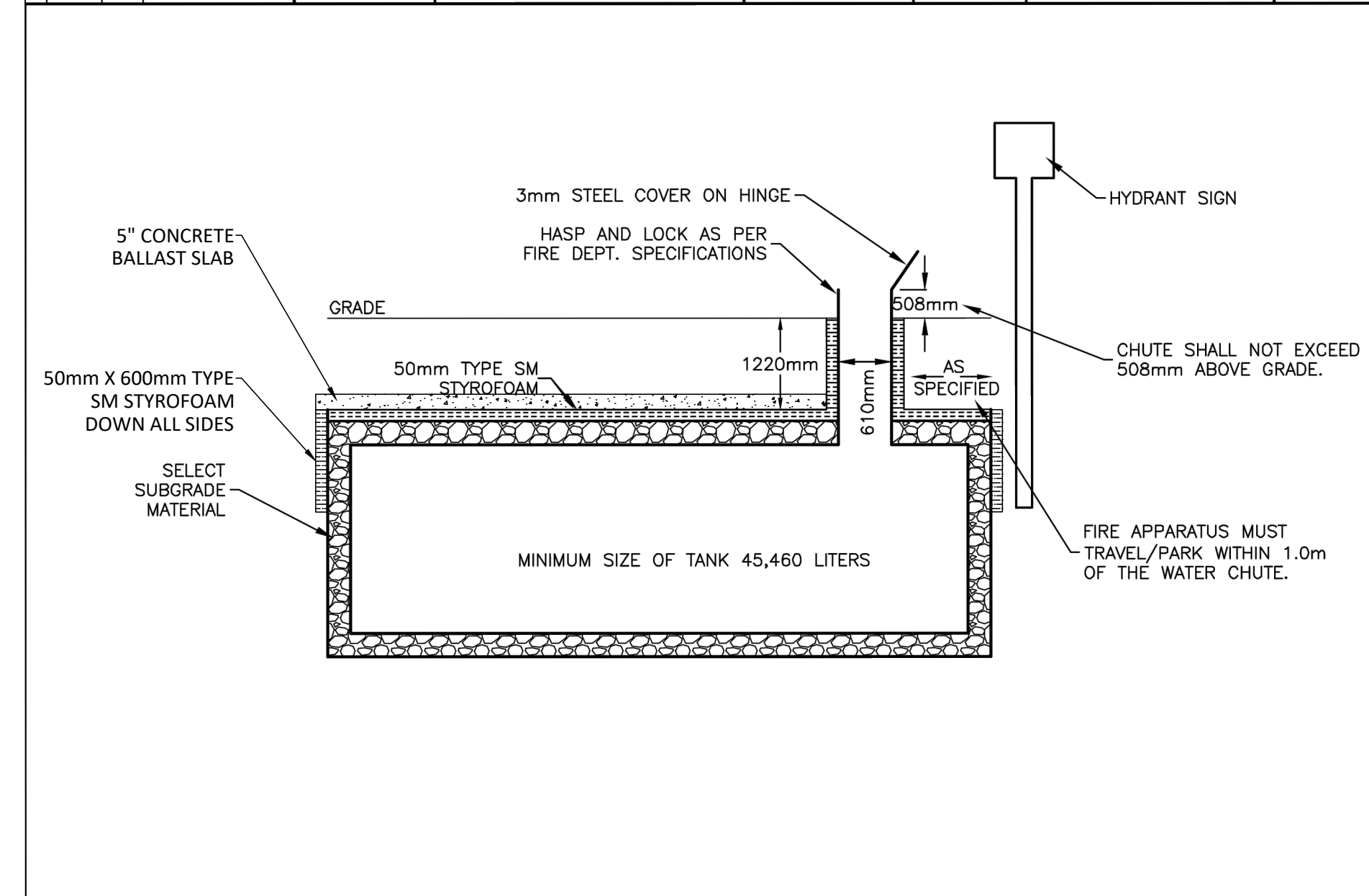
DESIGNED	JMS	DATE	OCT. 2004
DRAWN	JMS	PROJECT	CITY OF OTTAWA
CHECKED	NC	PLOTTED	OCT. 2004
APPROVED	NC		
SCALE:	NTS		
CITY OF OTTAWA			
WATER FILL STATIONS			
TYPICAL INSTALLATION OF WATER CHUTE ON A CONCRETE TANK			FIGURE 10



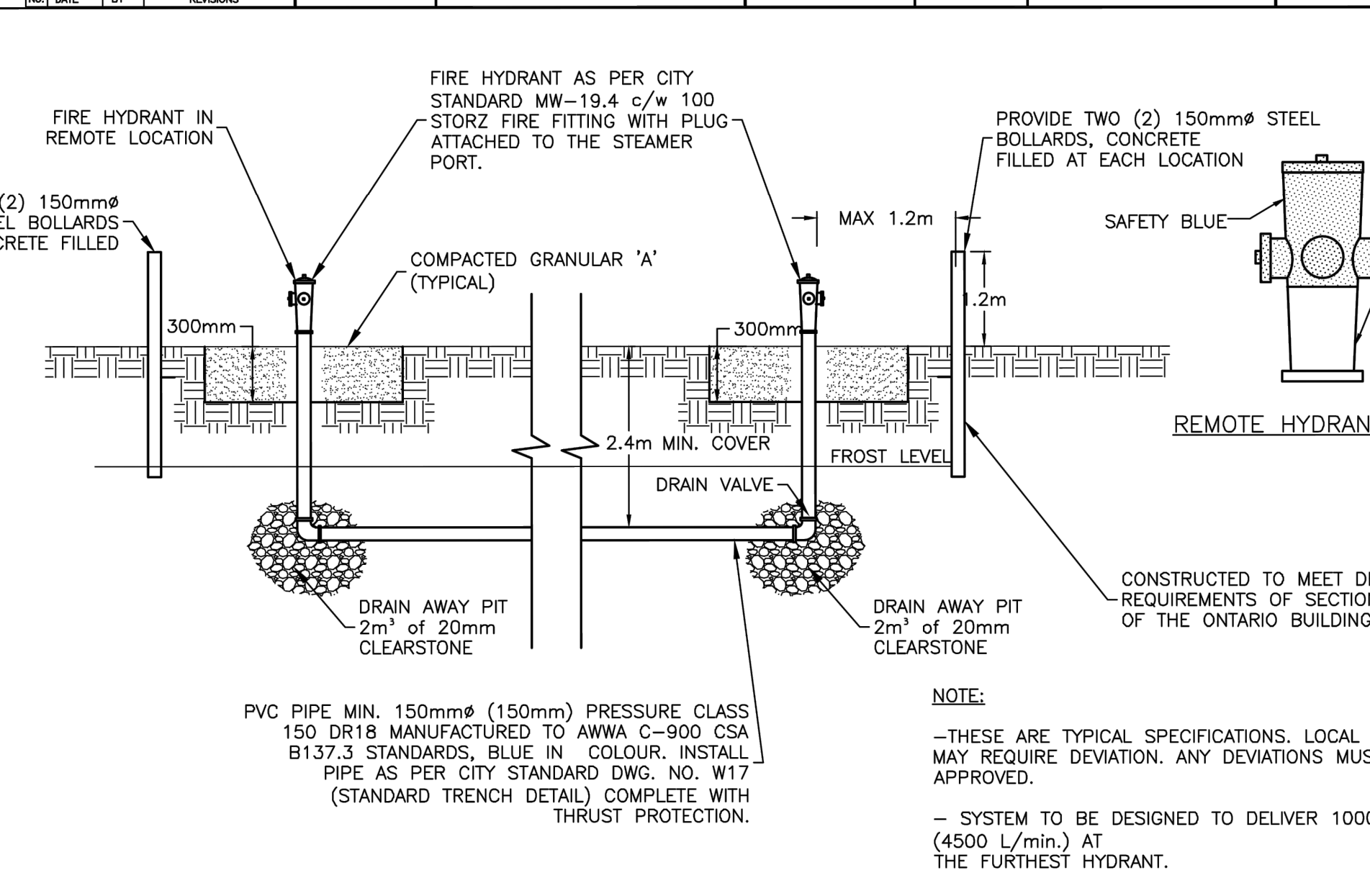
DESIGNED	JMS	DATE	OCT. 2004
DRAWN	JMS	PROJECT	CITY OF OTTAWA
CHECKED	NC	PLOTTED	OCT. 2004
APPROVED	NC		
SCALE:	NTS		
CITY OF OTTAWA			
WATER FILL STATIONS			
TYPICAL DRY HYDRANT INSTALLATION			FIGURE 8



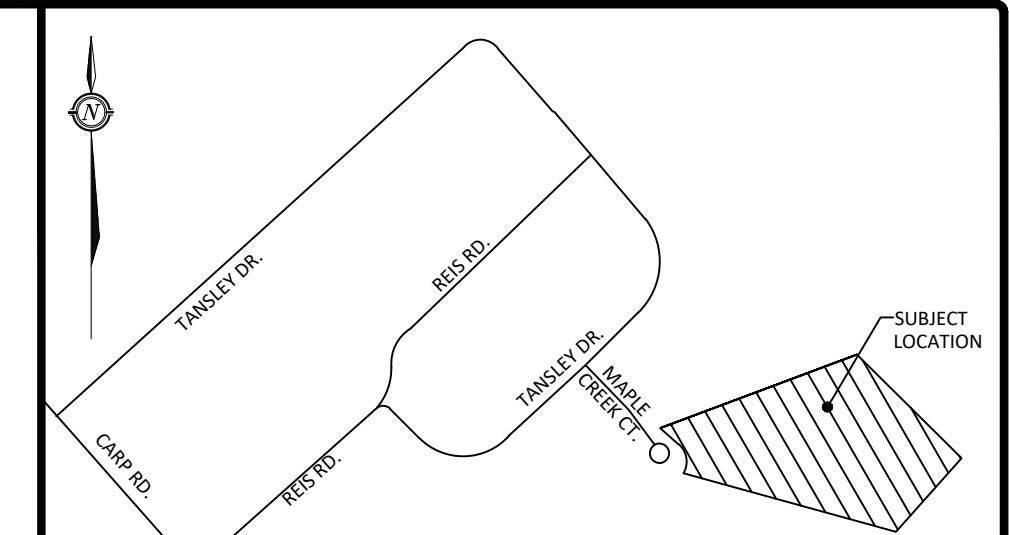
DESIGNED	JMS	DATE	OCT. 2004
DRAWN	JMS	PROJECT	CITY OF OTTAWA
CHECKED	NC	PLOTTED	OCT. 2004
APPROVED	NC		
SCALE:	NTS		
CITY OF OTTAWA			
WATER FILL STATIONS			
UNDERGROUND WATER RESERVOIR DRAW PIPE DETAIL			FIGURE 4



DESIGNED	JMS	DATE	OCT. 2004
DRAWN	JMS	PROJECT	CITY OF OTTAWA
CHECKED	NC	PLOTTED	OCT. 2004
APPROVED	NC		
SCALE:	NTS		
CITY OF OTTAWA			
WATER FILL STATIONS			
CONCRETE RESERVOIR			FIGURE 5



DESIGNED	JMS	DATE	NOV. 2008
DRAWN	JMS	PROJECT	CITY OF OTTAWA
CHECKED	NC	PLOTTED	NOV. 2008
APPROVED	NC		
SCALE:	NTS		
CITY OF OTTAWA			
WATER FILL STATIONS			
TYPICAL REMOTE FIRE PROTECTION SUPPLY MAIN C/W HYDRANTS			FIGURE 12



LEGEND	
[Symbol]	BARRIER CURB
[Symbol]	CURB DEPRESSION
[Symbol]	HEAVY DUTY ASPHALT
[Symbol]	CONCRETE RAMP AND/OR WALKWAY
[Symbol]	SWALE CENTERLINE
[Symbol]	TERRACING @ 3:1 SLOPE UNLESS SPECIFIED
[Symbol]	LSCB
[Symbol]	LANDSCAPE CATCH BASIN
[Symbol]	CBMH
[Symbol]	CATCH BASIN MANHOLE
[Symbol]	CB
[Symbol]	CATCH BASIN OR DITCH INLET
[Symbol]	MH1A
[Symbol]	SANITARY MANHOLE
[Symbol]	73.21
[Symbol]	TYPICAL GRADE
[Symbol]	×73.21 B/W
[Symbol]	BOTTOM OF WALL GRADE
[Symbol]	×73.21(S)
[Symbol]	SWALE GRADE
[Symbol]	T/G 73.21
[Symbol]	TOP OF GRATE GRADE
[Symbol]	×EX.73.21
[Symbol]	EXISTING GRADE (NOT SHOWN ON SURVEY)
[Symbol]	OVERLAND FLOW ROUTE
[Symbol]	100yr PONDING
[Symbol]	5yr PONDING
[Symbol]	GRADE MARKER
[Symbol]	× 76.16
[Symbol]	SILT FENCE

01	ISSUED FOR SITE PLAN CONTROL	JAN 20, 2017
No.	Revision/Issue	Date

Check and verify all dimensions before proceeding with the work. Do not scale drawings.

SCALE 1 : 300

0 5 10 15 20 25 30 Metres

McINTOSH PERRY **MP**

115 Walgreen Road R.R. #3, Carp, ON K0A 1L0
Tel: 613-836-2184 Fax: 613-836-3742

R. P. KENNEDY
LICENSED PROFESSIONAL ENGINEER
100986734
PROVINCE OF ONTARIO

Client: **BBS CONSTRUCTION (ONTARIO) LTD.**
1805 WOODWARD DRIVE
OTTAWA, ON, K2C 0P9
P: 613-226-8830
F: 613-226-7709

Project: **210/220 MAPLE CREEK COURT**
WALL SOUND
PROPOSED WAREHOUSE DEVELOPMENT
OTTAWA ONTARIO

Drawing Title: **UNDERGROUND FIRE TANK DETAILS**

Scale: 1:500	Project Number: CP-15-0429
Drawn by: CDH	
Checked By: RPK/CJM	
Designed By: JMJ	Drawing Number:
Date: NOV 25, 2016	SHEET 3 of 3

C103

FILENAME: I:\1504_0429_015_ProposedWarehouseDevelopment\150429_015_ProposedWarehouseDevelopment\150429_015_ProposedWarehouseDevelopment.dwg
 LAST SAVED: Friday, January 20, 2017 1:51:58 PM
 LAST PLOTTED: Friday, January 20, 2017 1:51:58 PM