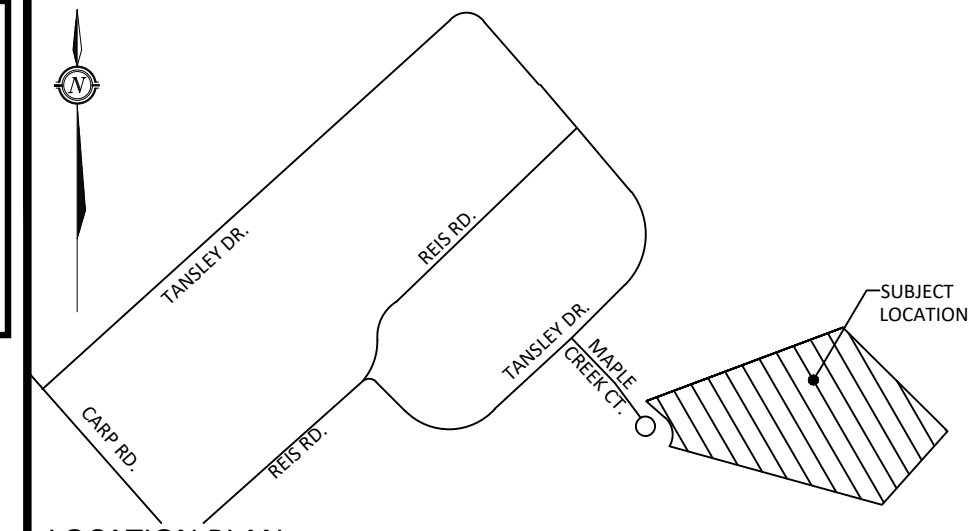


APPROVED REFUSED
 DATE _____
 Adam Brown, Manager, Development Review,
 Rural Services



LEGEND

	BARRIER CURB
	CURB DEPRESSION
	HEAVY DUTY ASPHALT
	CONCRETE RAMP AND/OR WALKWAY
	SWALE CENTERLINE
	TERRACING @ 3:1 SLOPE UNLESS SPECIFIED
	LANDSCAPE CATCH BASIN
	CATCH BASIN MANHOLE
	CATCH BASIN OR DITCH INLET
	SANITARY MANHOLE
	TYPICAL GRADE
	BOTTOM OF WALL GRADE
	SWALE GRADE
	TOP OF GRATE GRADE
	EXISTING GRADE (NOT SHOWN ON SURVEY)
	OVERLAND FLOW ROUTE
	100yr PONDING
	5yr PONDING
	GRADE MARKER
	SILT FENCE

No.	Revision/Issue	Date
04	REVISED PER CITY COMMENTS	DEC 17, 2019
03	ISSUED FOR CITY REVIEW	FEB 5, 2018
02	REVISED PER CITY COMMENTS	JAN 26, 2018
01	ISSUED FOR SITE PLAN CONTROL	JAN 20, 2017

Check and verify all dimensions before proceeding with the work. Do not scale drawings.
 SCALE 1 : 300
 0 5 10 15 20 25 30 Metres

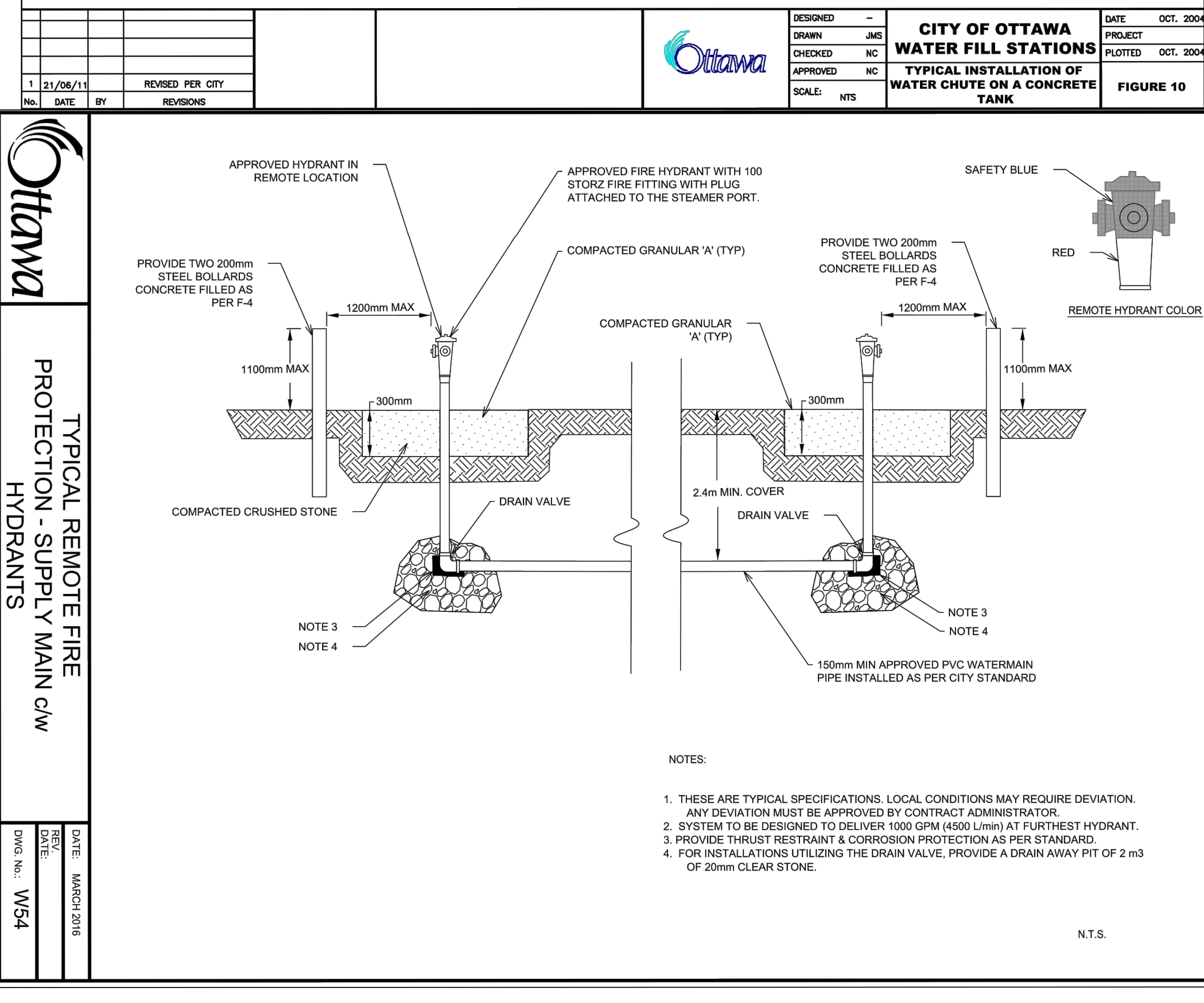
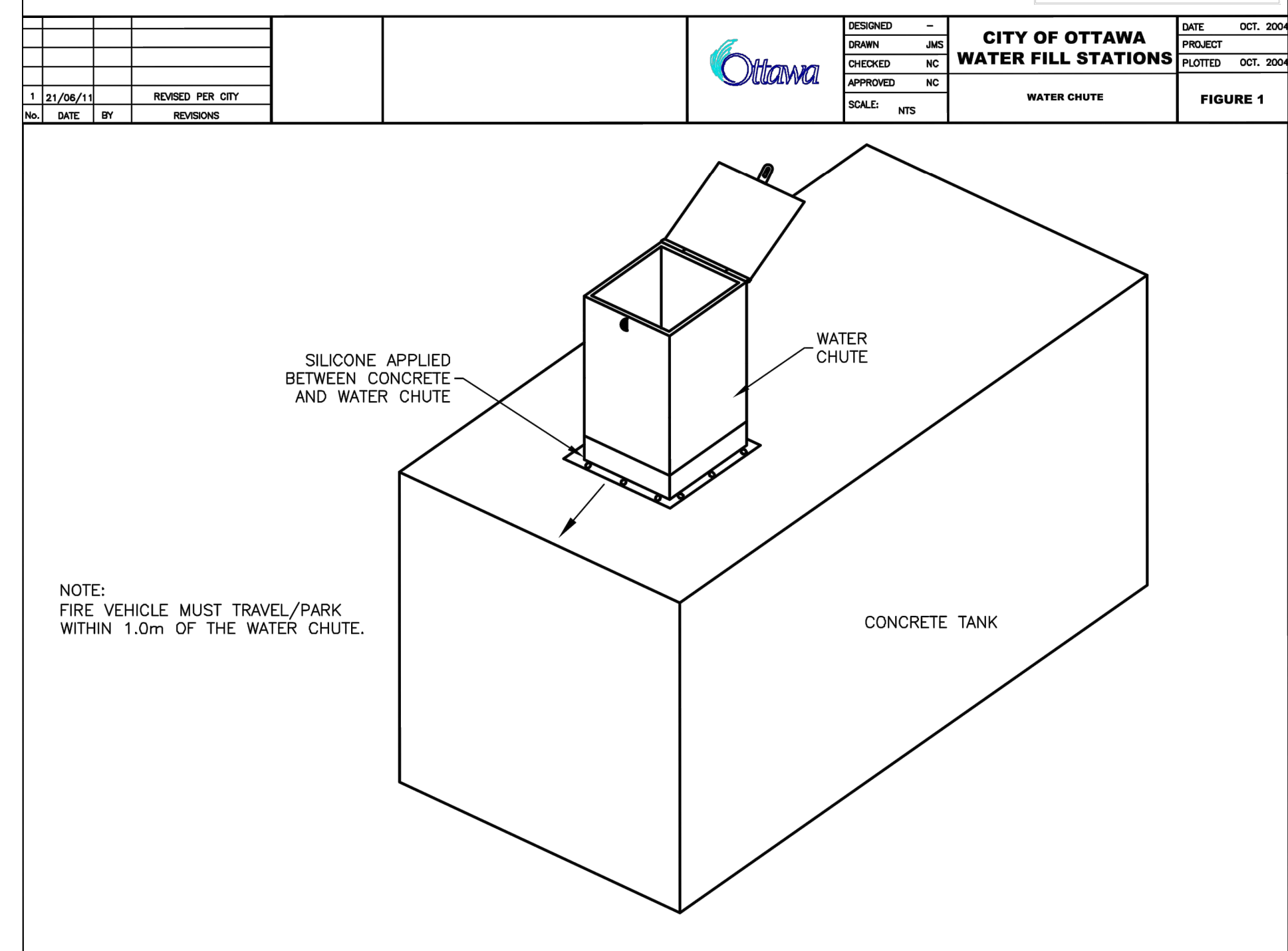
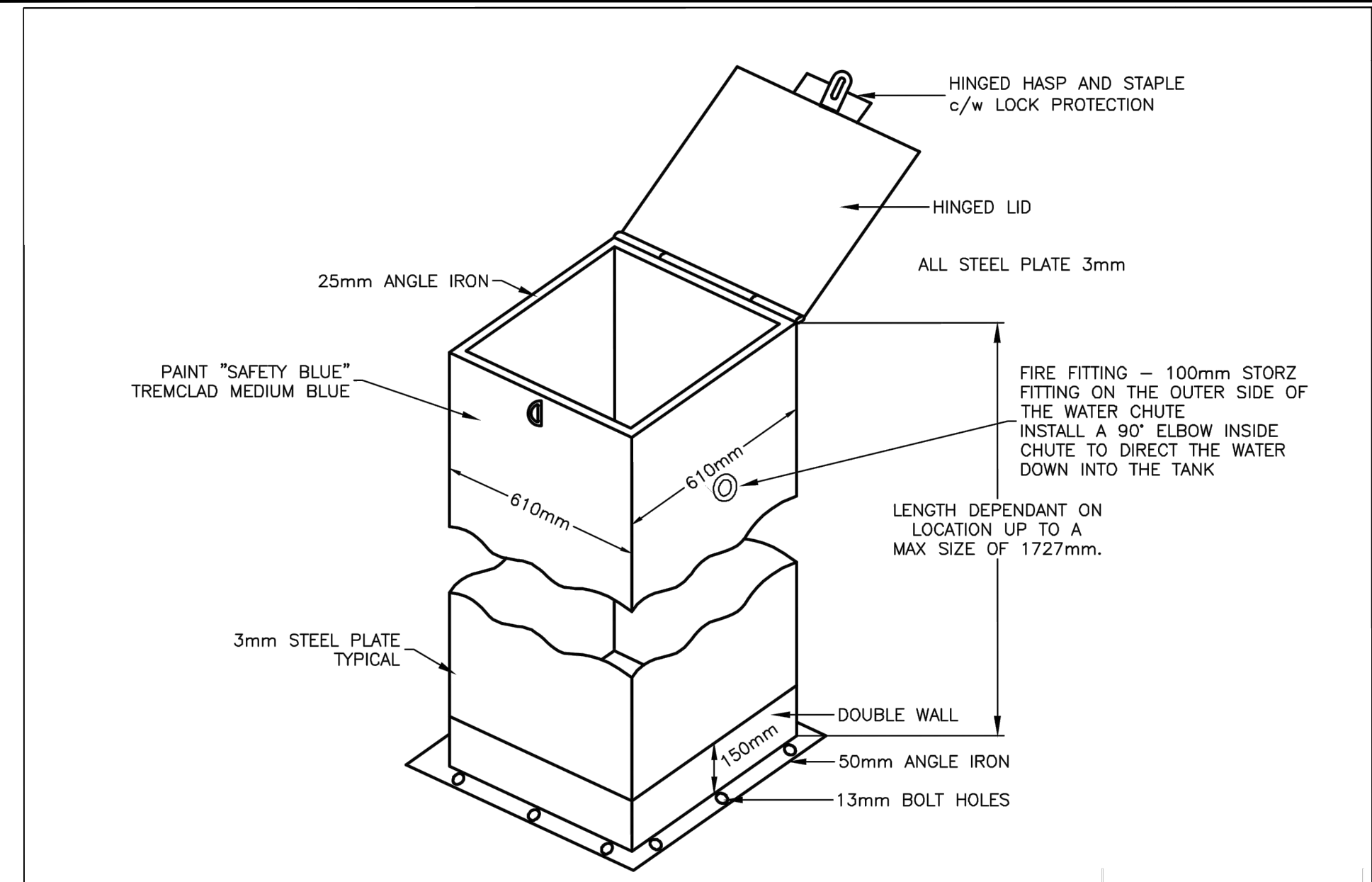
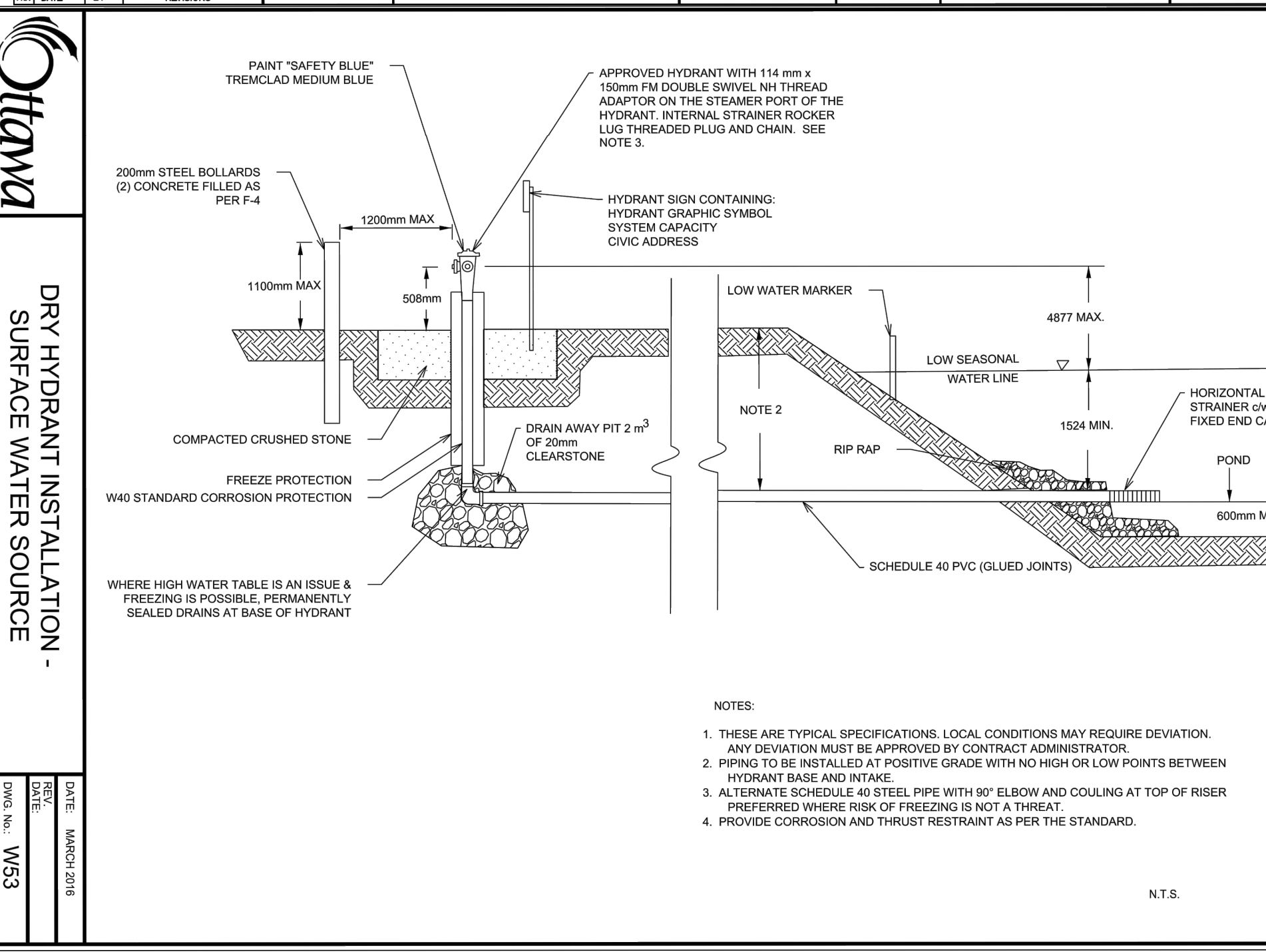
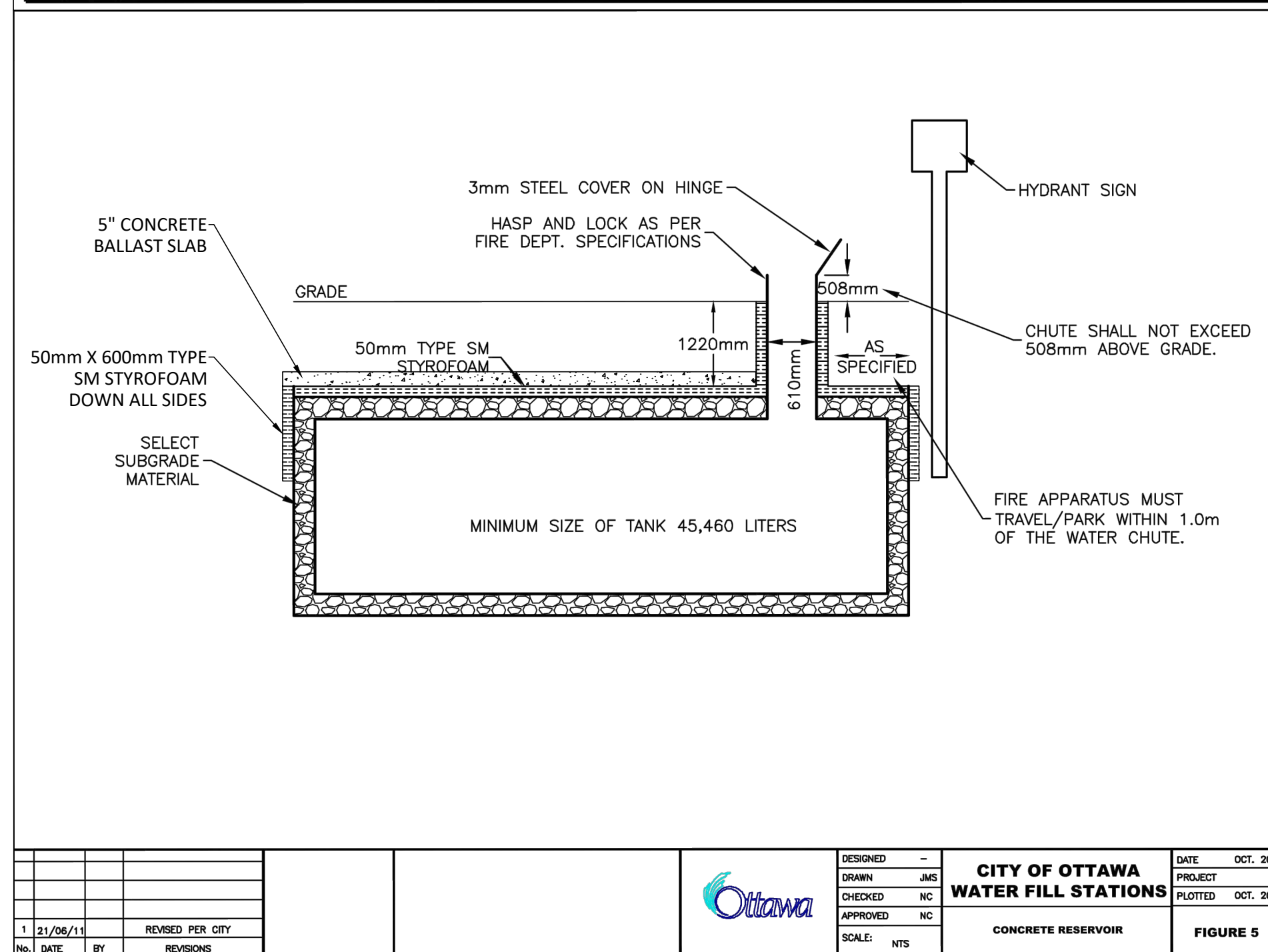
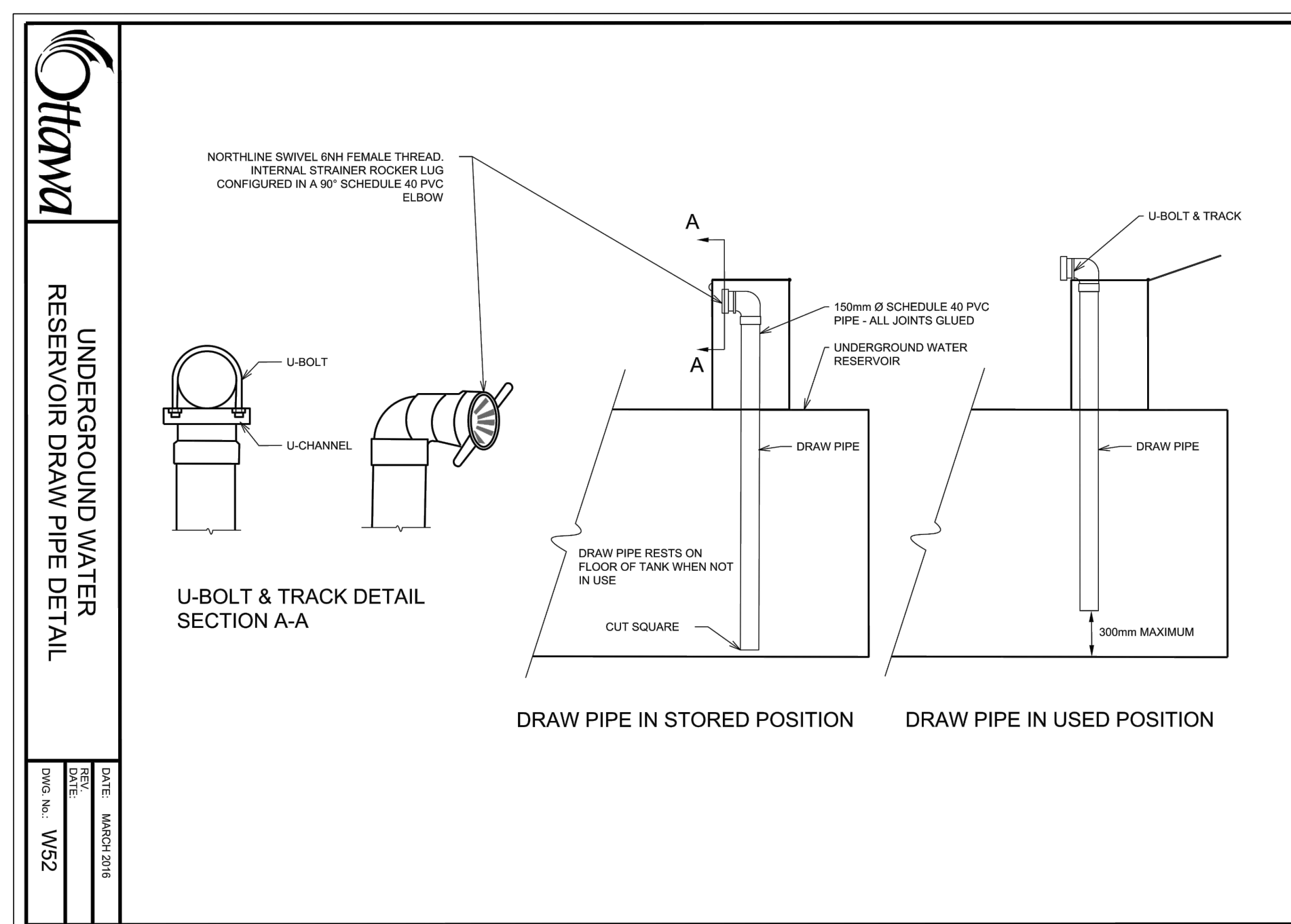
McINTOSH PERRY
 115 Walgreen Road, RR3, Carp, ON K0A 1I0
 Tel: 613-836-2184 Fax: 613-836-3742
 www.mcintoshperry.com

Client: **BBS CONSTRUCTION (ONTARIO) LTD.**
 1805 WOODWARD DRIVE
 OTTAWA ON, K2C 0P9
 P: 613-226-8830
 F: 613-226-7709

Project: **210/220 MAPLE CREEK COURT
 WALL SOUND
 PROPOSED WAREHOUSE DEVELOPMENT**
 OTTAWA ONTARIO

Drawing Title: **UNDERGROUND FIRE TANK DETAILS**

Scale:	1:500	Project Number:	CP-15-0429
Drawn by:	SVL/PKG	Drawing Number:	C103
Checked By:	RPK/CJM		
Designed By:	SVL/PKG		
Date:	NOV 25, 2016	SHEET	3 of 3



DESIGNED - JMS
 DRAWN - JMS
 CHECKED - NC
 APPROVED - NC
 SCALE: NTS
 CITY OF OTTAWA WATER FILL STATIONS
 WATER CHUTE
 FIGURE 1

DESIGNED - JMS
 DRAWN - JMS
 CHECKED - NC
 APPROVED - NC
 SCALE: NTS
 CITY OF OTTAWA WATER FILL STATIONS
 TYPICAL INSTALLATION OF WATER CHUTE ON A CONCRETE TANK
 FIGURE 10

DESIGNED - JMS
 DRAWN - JMS
 CHECKED - NC
 APPROVED - NC
 SCALE: NTS
 CITY OF OTTAWA WATER FILL STATIONS
 CONCRETE RESERVOIR
 FIGURE 6

DESIGNED - JMS
 DRAWN - JMS
 CHECKED - NC
 APPROVED - NC
 SCALE: NTS
 CITY OF OTTAWA WATER FILL STATIONS
 DRY HYDRANT INSTALLATION - SURFACE WATER SOURCE
 FIGURE 3

FILE NAME: I:\GIS\Projects\Presentations\CP-15-0429\CP-15-0429_BBS_Site Plan_210 Maple Creek Court\DWG\15-0429 - PRESENTATION.dwg
 LAST SAVED: Tuesday, December 17, 2019 1:03:40 PM
 LAST PLOTTED: Thursday, December 19, 2019 7:03:07 AM