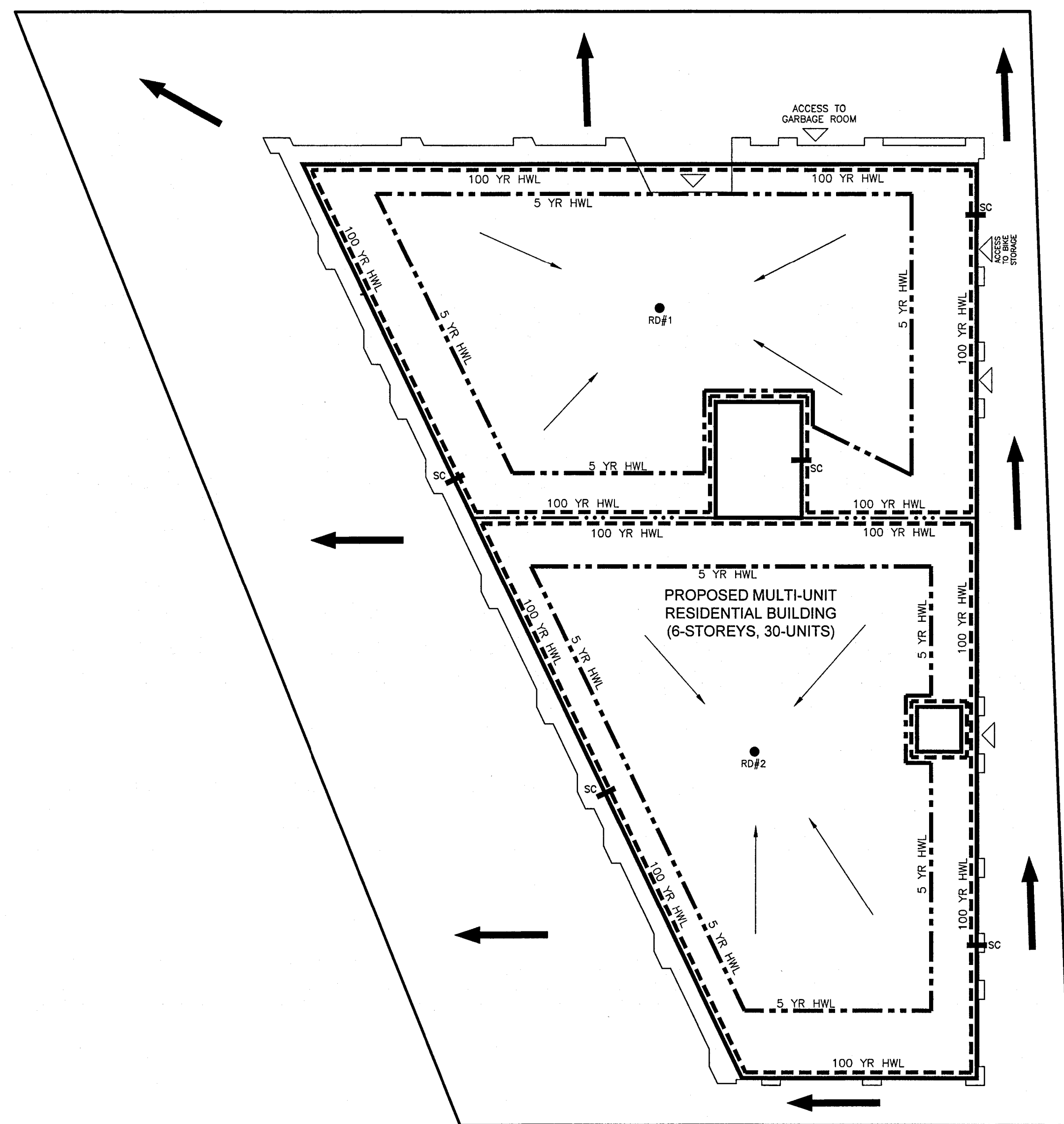


# ROOSEVELT AVENUE



## NOTES

### 1. STORMWATER MANAGEMENT NOTES

#### ROOF DRAIN DETAILS

MODEL TYPE: WATTS MODEL "ADJUSTABLE ACCUTROL WEIR" (MODEL No. RD-100A-ADJ), (WEIR OPENING EXPOSED IS : 1/4 OPENING AS SPECIFIED) TO PERMIT A RELEASE FLOW RATE OF 15.0 US GAL/MIN. OR 0.95 L/s UNDER A HEAD OF UP TO 150mm. AT THE 5-YEAR STORM EVENT AND UNDER A HEAD OF 120mm, THE RELEASE FLOW RATE IS 0.87 L/s OR 13.75 US GAL/MIN.

NUMBER OF CONTROL DEVICES: 1 CONTROLLED ROOF DRAIN PER DESIGNATED ROOF AREA FOR SWM ATTENUATION

FLOW PER ROOF DRAIN: 15.0 U.S. GAL/MIN. OR 0.95 L/s (MAX).

TOTAL FLOW FROM FLAT ROOFTOP OF BUILDING AT MAXIMUM HEAD OF 150mm PER DRAIN AT THE (2) PROPOSED DRAIN LOCATION = 1.90 L/s

DEPTH AND VOLUME:

ROOF DRAIN ID & DRAINAGE AREA (ha)	NUMBER OF ROOF DRAINS	WATTS ROOF DRAIN MODEL ID (WEIR OPENING)	CONTROLLED FLOW PER DRAIN (L/s)		APPROXIMATE PONING DEPTH ABOVE DRAINS (m)		STORAGE VOLUME REQUIRED (m <sup>3</sup> )		MAX. STORAGE AVAILABLE (m <sup>3</sup> )
			5 YR	100 YR	5 YR	100 YR	5 YR	100 YR	
RD-1 (0.0149 ha)	1	RD-100A-ADJ (1/4 OPENING EXPOSED)	0.87	0.95	0.12	0.15	2.10	5.19	7.12
RD-2 (0.0148 ha)	1	RD-100A-ADJ (1/4 OPENING EXPOSED)	0.87	0.95	0.12	0.15	2.09	5.15	7.42
TOTAL ROOF (0.0297 ha)	2		1.74	1.90	-	-	4.19	10.34	14.54

SCUPPER LOCATION: AS SHOWN ON THIS DRAWING

5 YEAR ELEVATION: 120mm ABOVE THE ROOF DRAIN FOR ROOF AREA #1 AND #2

100 YEAR ELEVATION: 150mm ABOVE THE ROOF DRAIN FOR ROOF AREA #1 AND #2

- EACH ROOF DRAIN SHALL BE SIZED FOR A MAXIMUM RELEASE RATE OF 15.0 U.S. GAL/MIN. OR 0.95 L/s. THE OWNER'S MECHANICAL ENGINEER SHALL SPECIFY THE REQUIRED ROOF DRAIN TYPE AND MODEL No. AND PROVIDE THE NECESSARY INFORMATION TO THE CITY OF OTTAWA FOR THEIR RECORDS TO ENSURE PROPER RELEASE RATE FOR STORMWATER MANAGEMENT COMPLIANCE.

- ROOF PITCH IS ASSUMED TO HAVE 1.5% (MIN.) SLOPE.

- ROOF SCUPPERS ARE RECOMMENDED TO BE INSTALLED 90mm ABOVE EDGE OF ROOFTOP ELEVATION FOR EMERGENCY OVERFLOW PURPOSES AT ROOF AREA #1 AND #2 AT PERIMETER OF BUILDING.

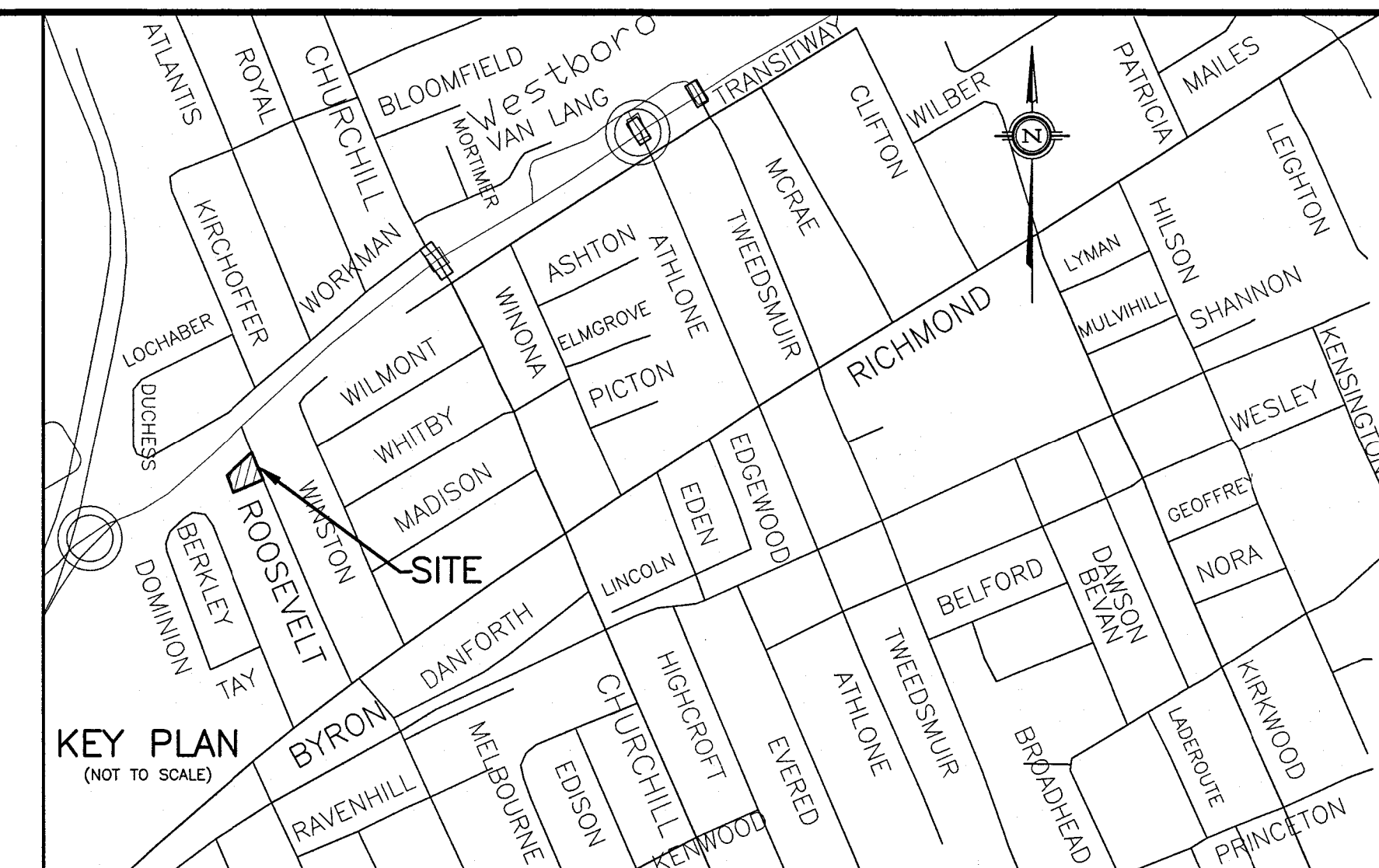
- SEE STORM DRAINAGE REPORT No. R-824-83 DATED AUGUST 2024 FOR DETAILS ALSO.

2. PROPOSED ROOF DRAINS AND SCUPPER LOCATIONS SHOWN ON THIS PLAN SHALL BE REVIEWED BY THE OWNER AND OWNER'S BUILDING DESIGNER FOR APPROVAL.

3. THE OWNER'S BUILDING DESIGNER AND STRUCTURAL ENGINEER SHALL ENSURE THAT THE ADDITIONAL STORMWATER STORAGE VOLUME FROM STORMWATER MANAGEMENT MEASURES ARE ACCOUNTED FOR IN THE STRUCTURAL DESIGN OF AND WATERPROOFING OF ROOF AREA #1 AND #2 AND ANY OF THE SUPPORTING STRUCTURES THAT MAY BE AFFECTED BY THE STORED WATER.

4. ROOF DRAIN #1 AND #2 INCLUSIVE SHALL OUTLET INTO THE DESIGNATED 150mm PVC STORMWATER PIPE AS SHOWN ON THE PROPOSED GRADING AND SERVICING PLAN (DWG No. 824-83, G-1).

5. FOR GRADING AND SERVICING DETAILS OF THIS SITE, REFER TO DWG. No. 824-83, G-1.



KEY PLAN (NOT TO SCALE)

## LEGEND

- 100 YR HIGH WATER LEVEL
- - - 5 YR HIGH WATER LEVEL
- PROPOSED HIGH RIDGE LINE
- RD PROPOSED ROOF DRAIN
- SC PROPOSED ROOF SCUPPER LOCATION
- PROPOSED GENERAL DIRECTION OF LOT GRADING AND SURFACE FLOW
- PROPOSED MAJOR OVERLAND FLOW ROUTE
- 0.002 DRAINAGE AREA IN HECTARES
- 0.9 COEFFICIENT OF RUNOFF

## WATTS® Adjustable Accutrol Weir Adjustable Flow Control for Roof Drains

### ADJUSTABLE ACCUTROL (for Large Sump Roof Drains only)

For more flexibility in controlling flow with heads deeper than 2", Watts Drainage offers the Adjustable Accutrol. The Adjustable Accutrol Weir is designed with a single parabolic opening that can be covered to restrict flow above 2" of head to less than 5 gpm per inch, up to 6" of head. To adjust the flow rate for depths over 2" of head, set the slot in the adjustable upper cone according to the flow rate required. Refer to Table 1 below.  
Note: Flow rates are directly proportional to the amount of weir opening that is exposed.

#### EXAMPLE:

For example, if the adjustable upper cone is set to cover 1/2 of the weir opening, flow rates above 2" of head will be restricted to 2-1/2 gpm per inch of head.

Therefore, at 3" of head, the flow rate through the Accutrol Weir that has 1/2 the slot exposed will be:  
[5 gpm (per inch of head) x 2 inches of head] + 2-1/2 gpm (for the third inch of head) = 12-1/2 gpm.

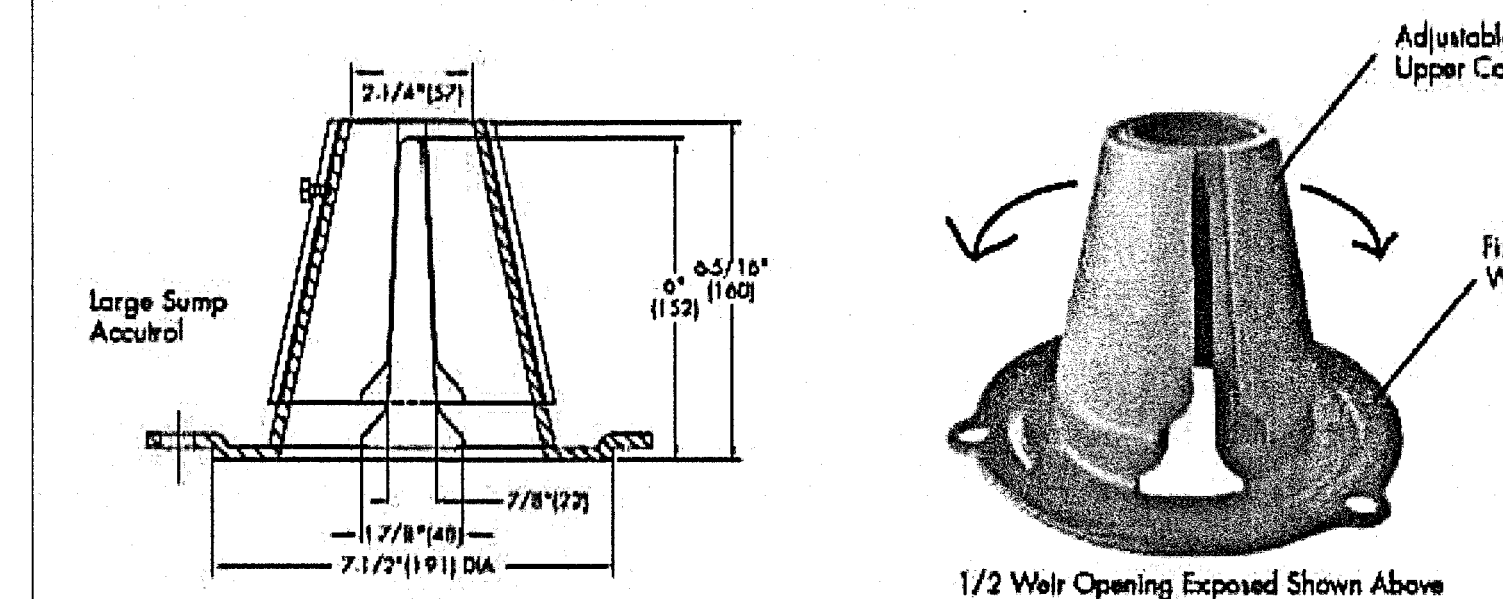
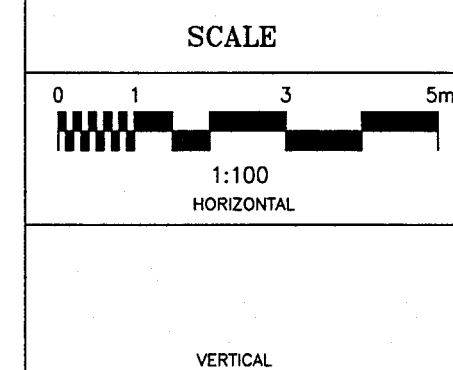
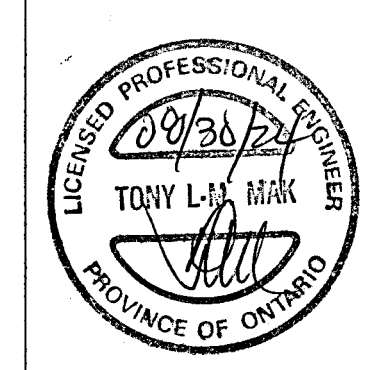


TABLE 1. Adjustable Accutrol Flow Rate Settings

Weir Opening Exposed	Flow Rate (gallons per minute)					
	1"	2"	3"	4"	5"	6"
Fully Exposed	5	10	15	20	25	30
3/4	5	10	13.75	17.5	21.25	25
1/2	5	10	12.5	15	17.5	20
1/4	5	10	11.25	12.5	13.75	15
Closed	0	0	0	0	0	0

No.	REVISION	DATE	BY



DESIGN	T.L.M.
CHECKED	T.L.M.
DRAWN BY	P.M.
CHECKED	T.L.M.
APPROVED	T.L.M.

PROJECT  
342 ROOSEVELT AVENUE  
LOT 36  
REGISTERED PLAN 114  
CITY OF OTTAWA

DRAWING TITLE  
PROPOSED STORMWATER  
MANAGEMENT PLAN

T.L. MAK ENGINEERING CONSULTANTS LTD.  
CONSULTING ENGINEERS

PROJECT No. 824-83    DATE AUGUST 2024    DRAWING No. SWM-1