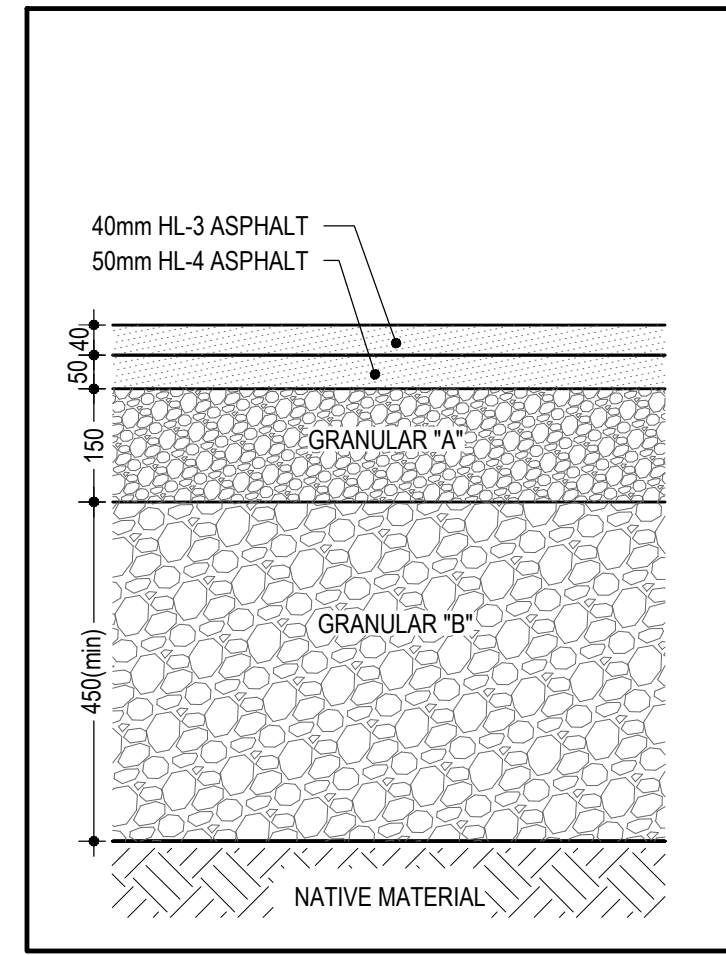
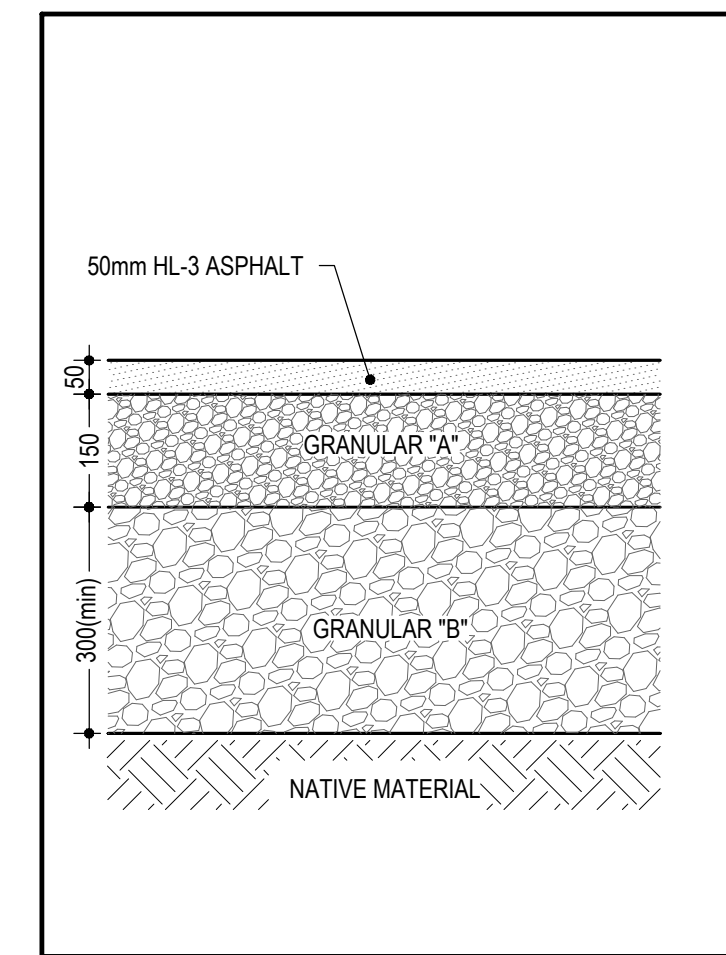


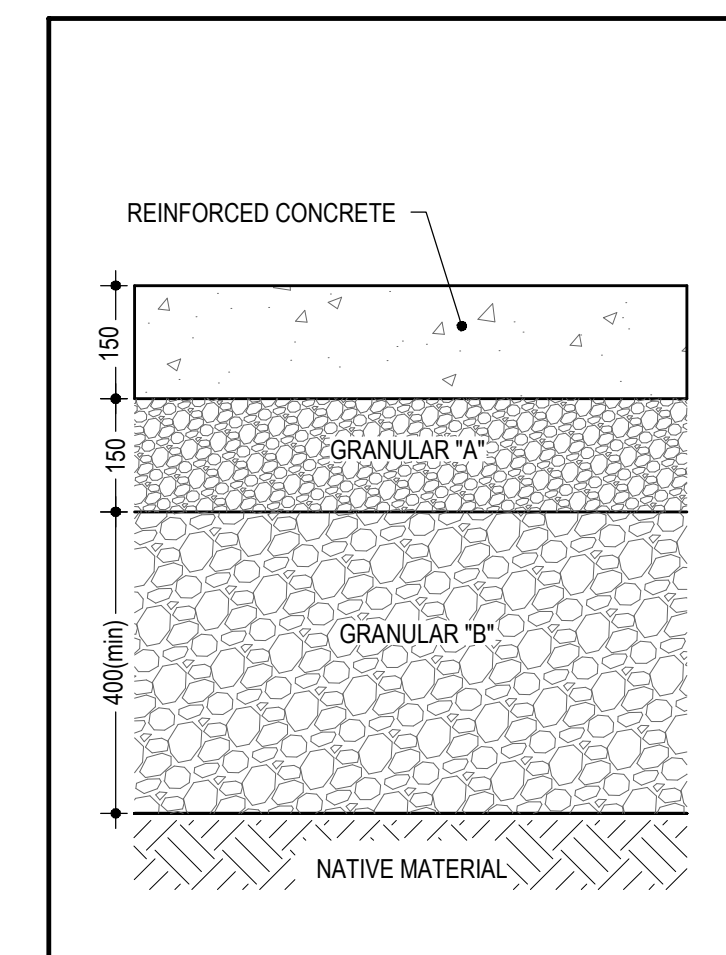
**1 TYPICAL TRENCH DETAIL**  
SCALE: N.T.S.



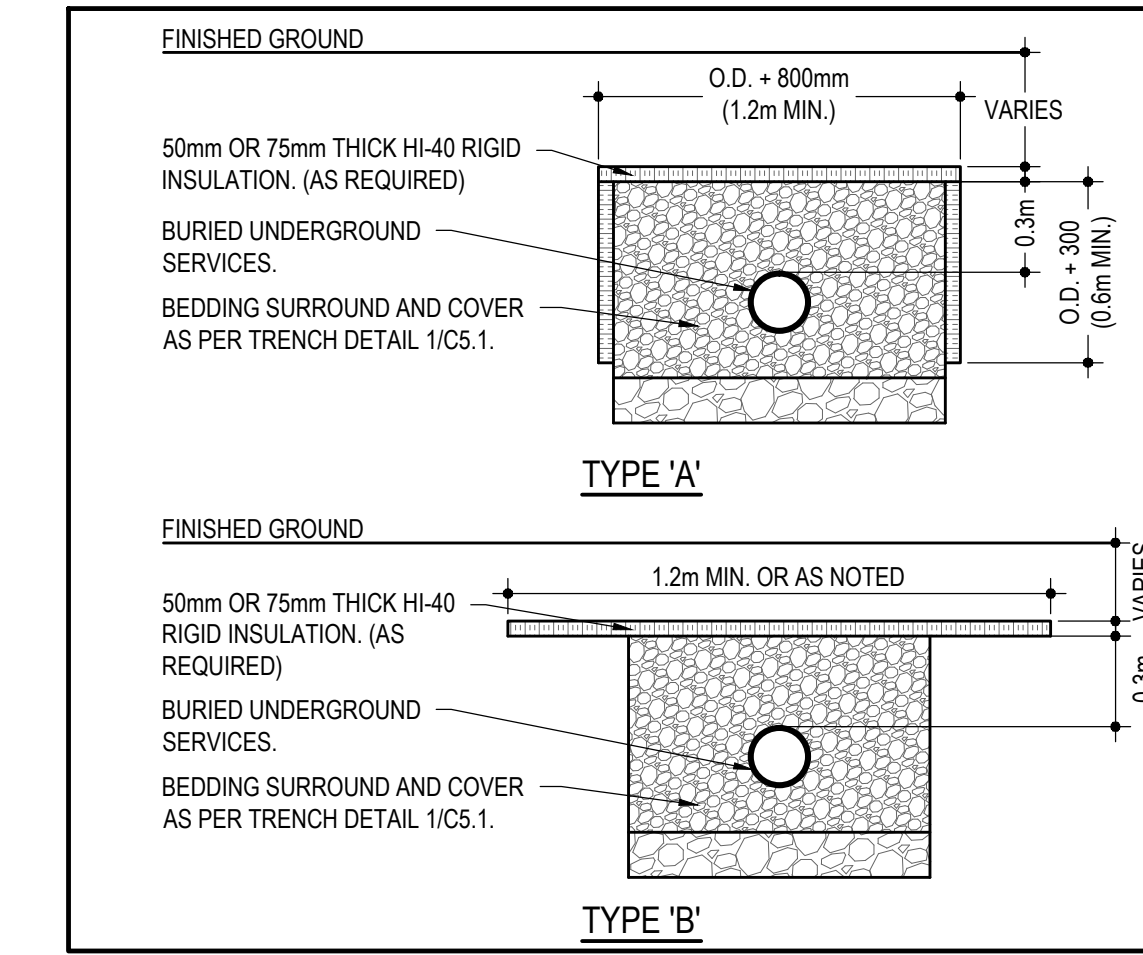
**2 HEAVY DUTY ASPHALT**  
SCALE: N.T.S.



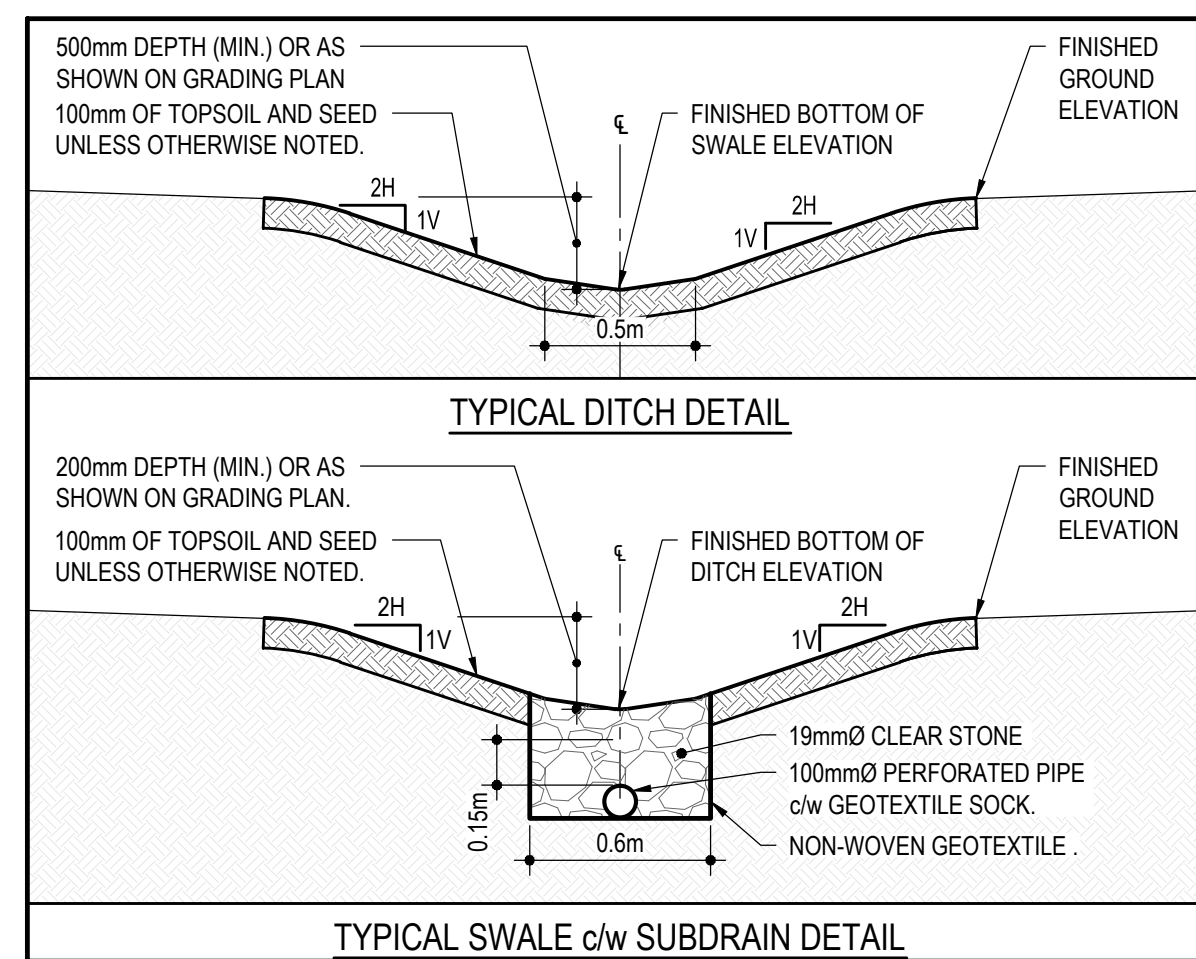
**3 LIGHT DUTY ASPHALT**  
SCALE: N.T.S.



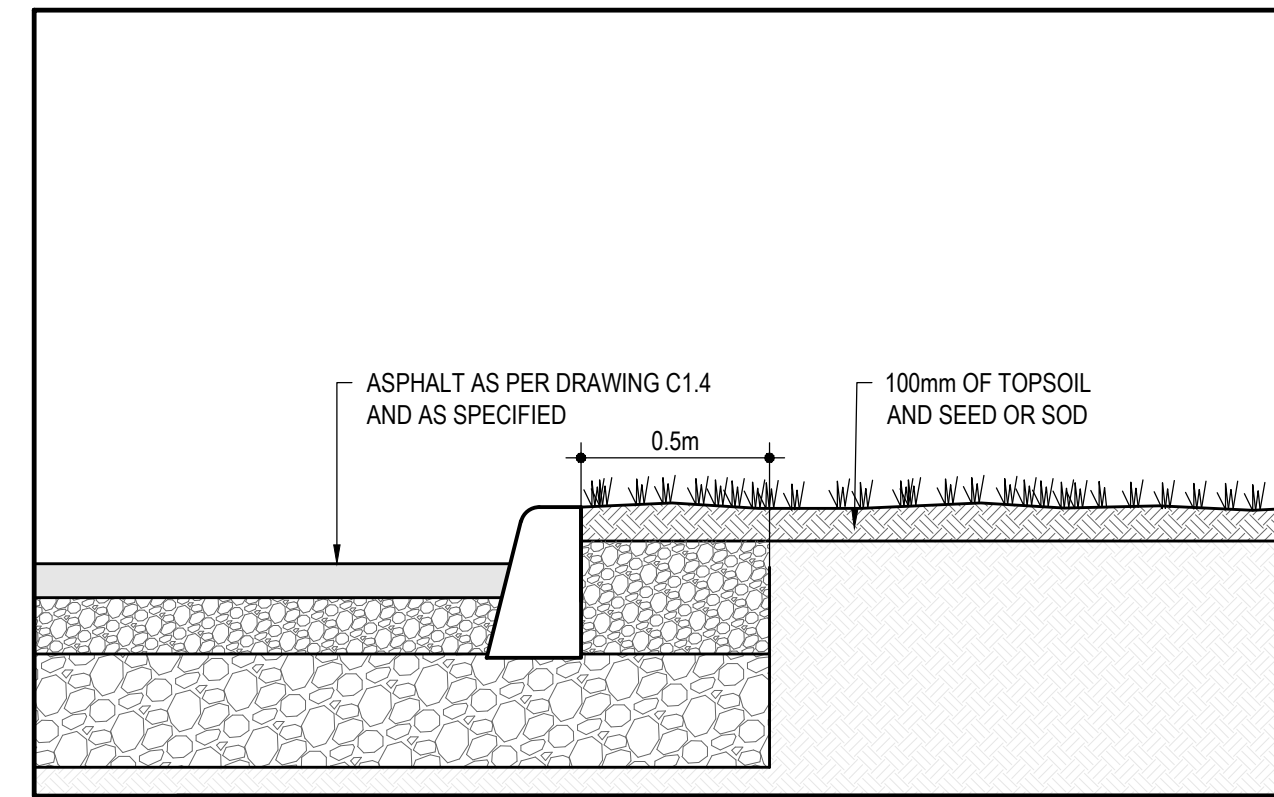
**4 CONCRETE PAD STRUCTURE**  
SCALE: N.T.S.



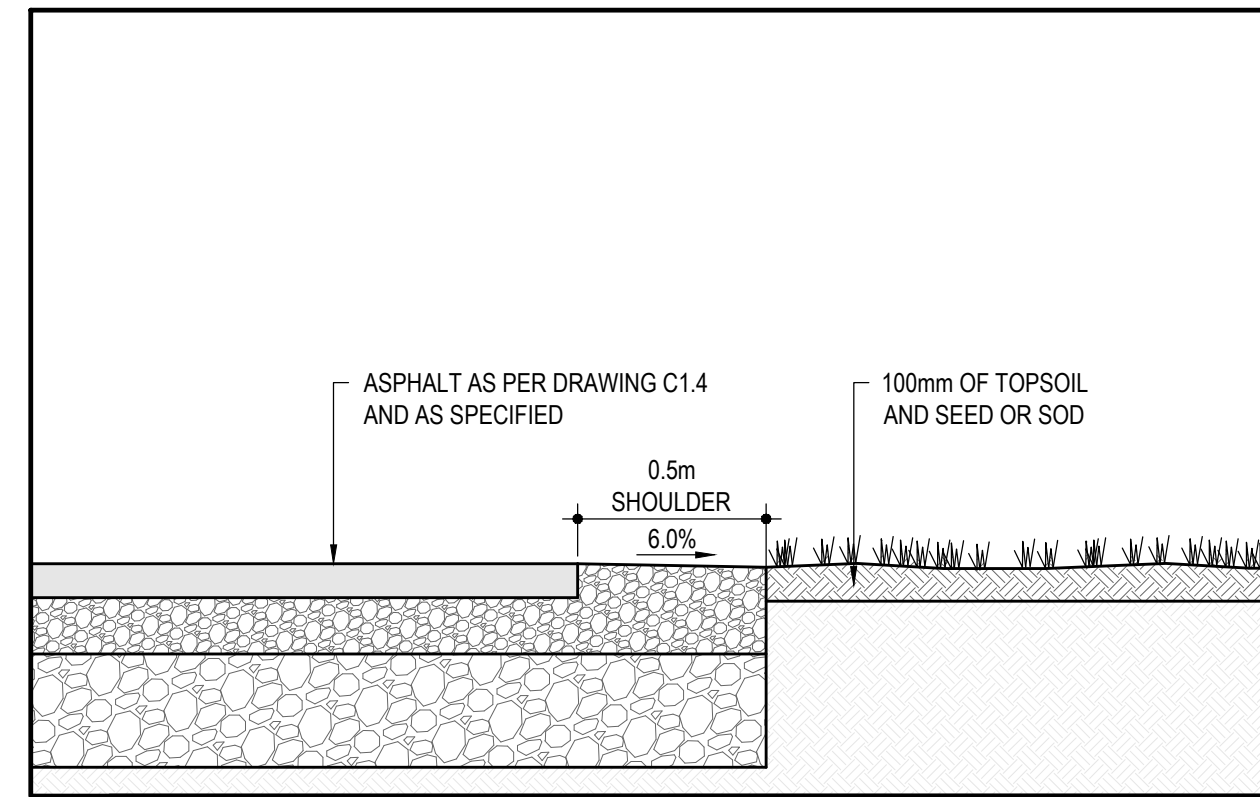
**5 FROST PROTECTION DETAIL**  
SCALE: N.T.S.



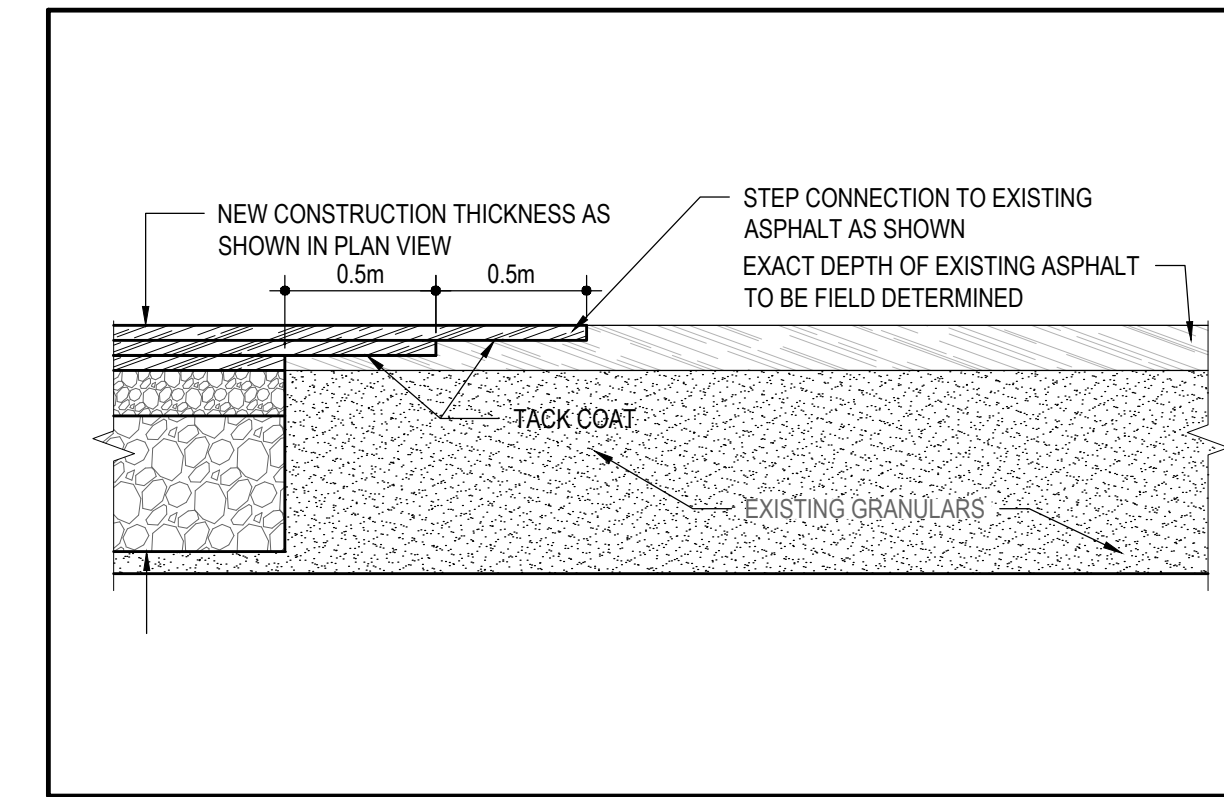
**6 TYPICAL DITCH/SWALE DETAIL**  
SCALE: N.T.S.



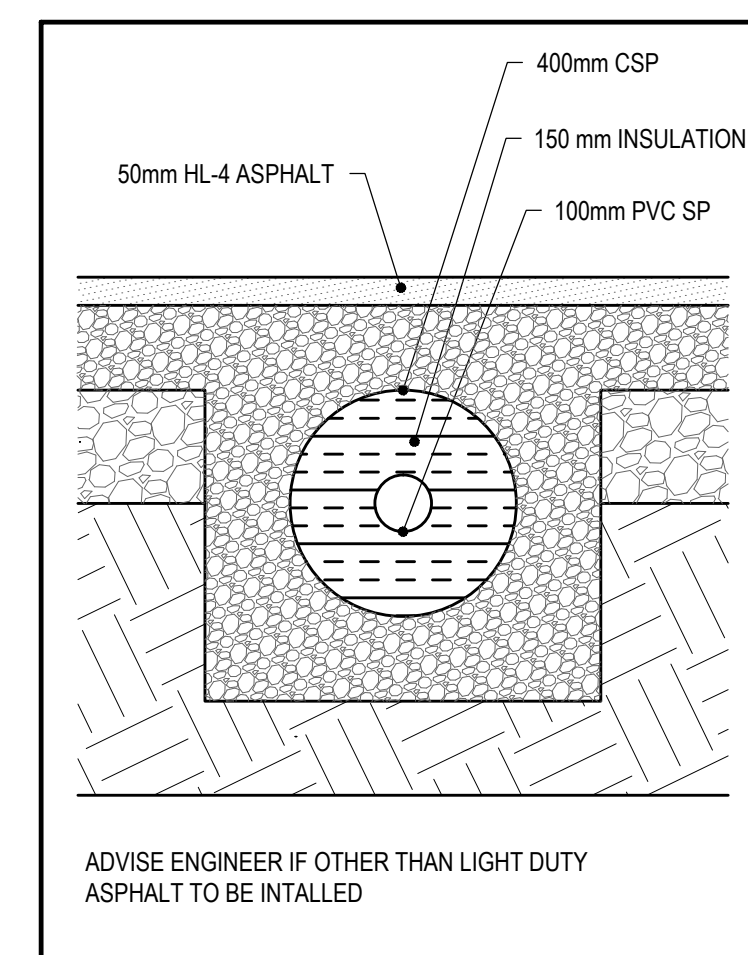
**7 TYPICAL ASPHALT EDGE DETAIL (WITH CURB)**  
SCALE: N.T.S.



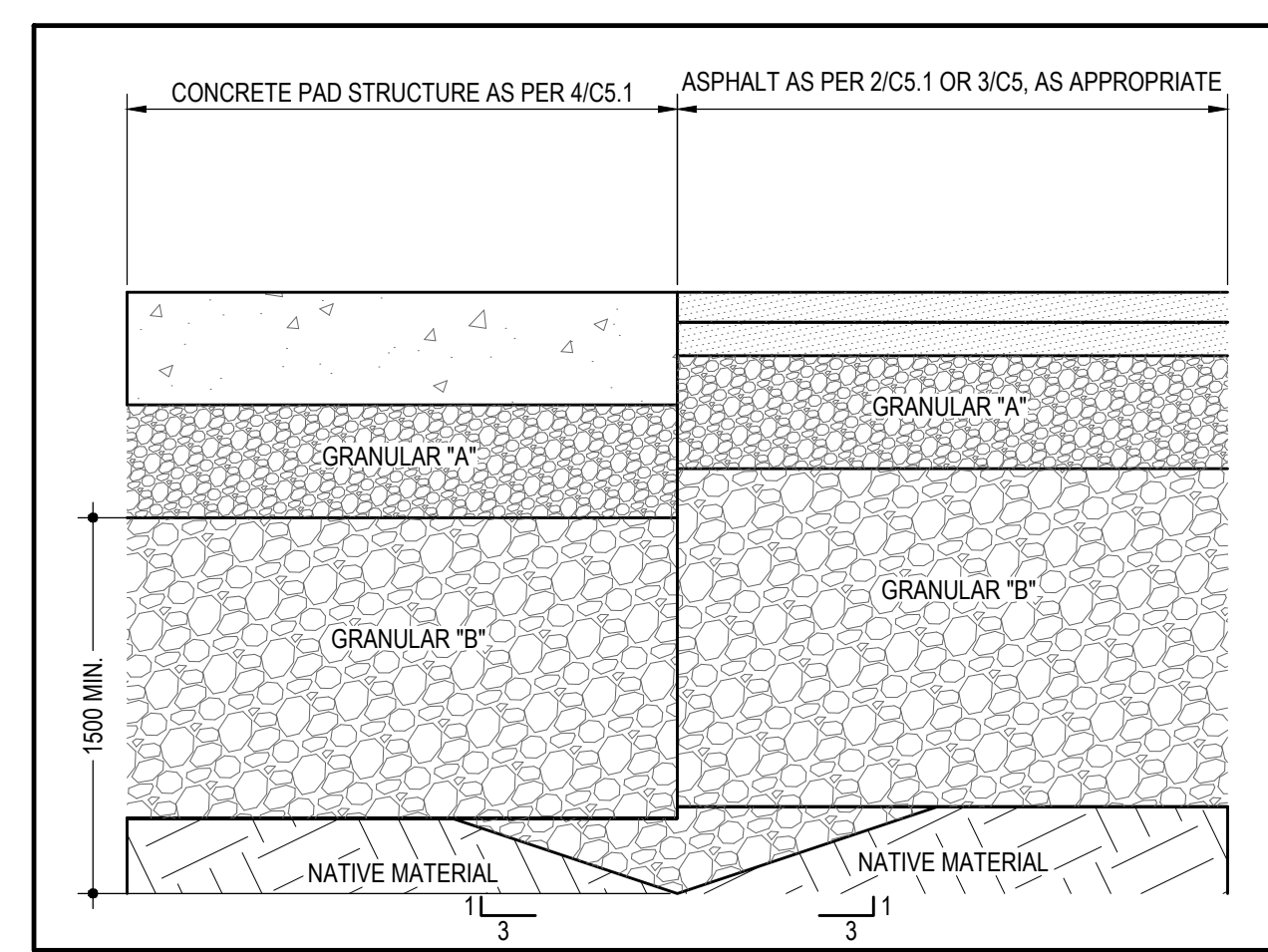
**8 TYPICAL ASPHALT EDGE DETAIL (WITHOUT CURB)**  
SCALE: N.T.S.



**9 TYPICAL STEP CONNECTION DETAIL**  
SCALE: N.T.S.



**10 NESTED PIPE DETAIL**  
SCALE: N.T.S.



**11 FROST TAPER**  
SCALE: N.T.S.



1345 ROSSEMOUNT AVENUE  
CORNWALL, ONTARIO  
CANADA K6J 3E5  
PHONE: 613-933-5602 FAX: 613-936-0335  
WWW.WSPGROUP.COM

CONSULTANT:

CLIENT:



CLIENT:

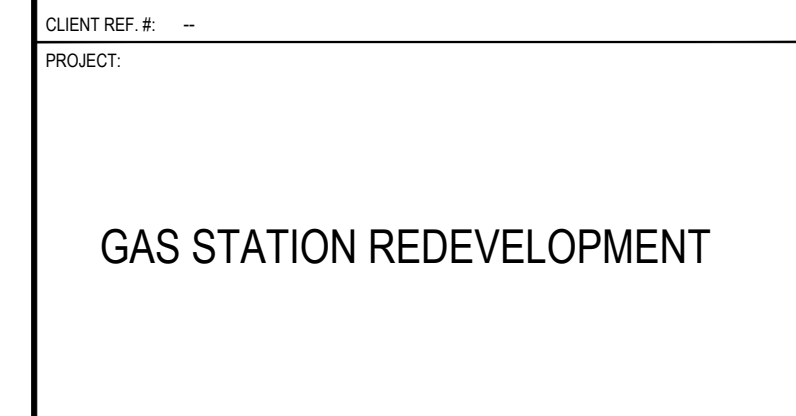
MR. ABDU EL-ARAB

CLIENT REF. #

PROJECT:

GAS STATION REDEVELOPMENT

KEY PLAN:



DISCLAIMER:

THIS DRAWING AND DESIGN IS COPYRIGHT PROTECTED WHICH SHALL NOT BE USED, REPRODUCED OR FORWARDED WITHOUT WRITTEN PERMISSION BY WSP. THE CONTRACTOR SHALL CHECK AND VERIFY ALL DIMENSIONS AND UTILITY LOCATIONS AND REPORT ALL ERRORS AND OMISSIONS PRIOR TO COMMENCING WORK. THIS DRAWING IS NOT TO BE SCALED.

ISSUED FOR - REVISION:

IS	RE	DATE	DESCRIPTION
4		APRIL 26/18	ISSUED FOR REVIEW
3		MAR 20/18	ISSUED FOR REVIEW
2		DEC 20/17	ISSUED FOR REVIEW
1		NOV 13/17	33% PRELIMINARY DESIGN

PROJECT NO: 171-14602-00

DATE: 12/20/17

ORIGINAL SCALE: AS SHOWN

DESIGNED BY: M.J.

DRAWN BY: B.L.

CHECKED BY: M.J.

DISCIPLINE: CIVIL

TITLE: DETAILS

SHEET NUMBER: C5.1

SHEET # 5 OF 6

ISSUE FOR REVIEW

DATE OF: 03/20/18

REV # 0

M:\2017\171-14602-00 - New Gas Station\DWG\171-14602-00-C5.1.dwg, Apr 26, 2018 9:20am (B:\jansm)