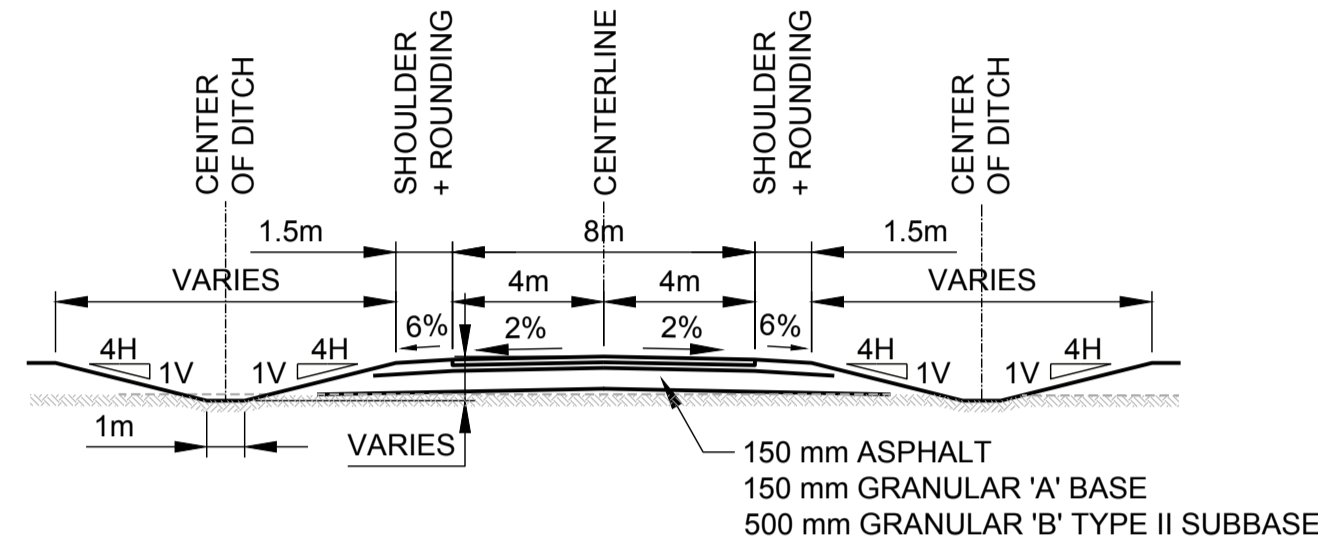
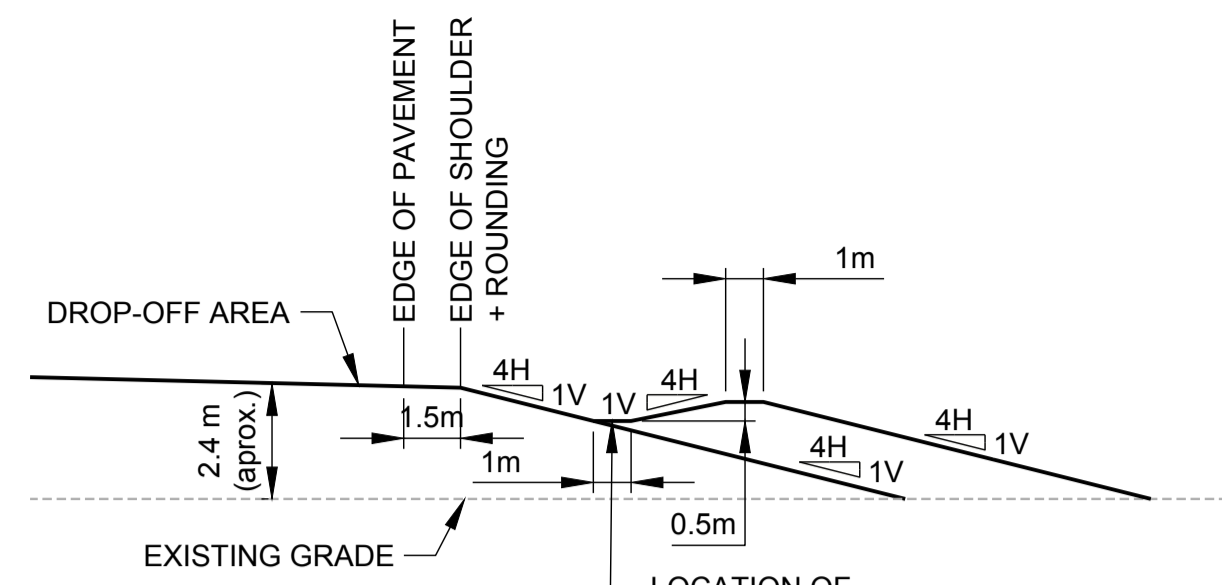


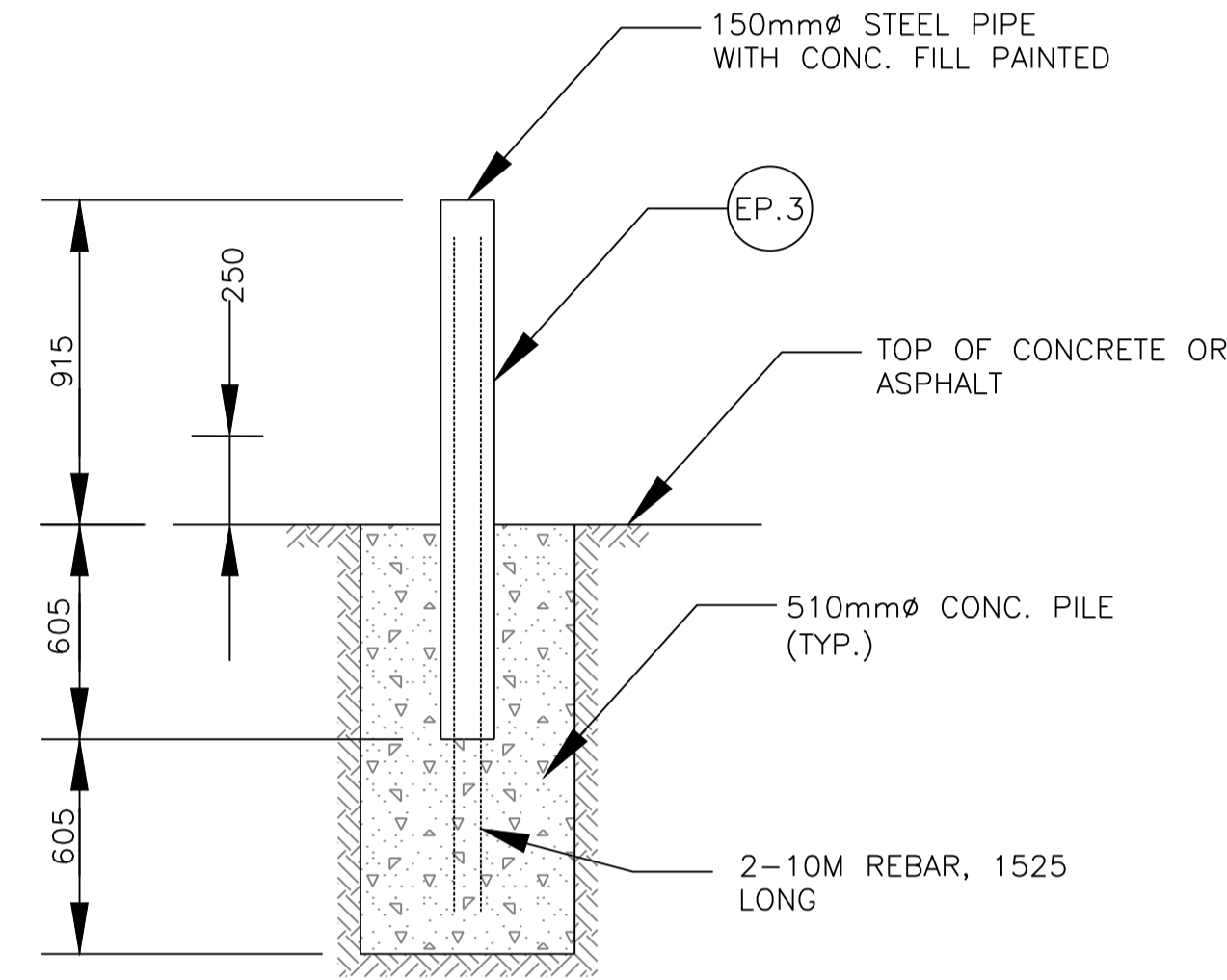
SCALE 1:200 **D11** TYPICAL GRAVEL ROAD SECTION



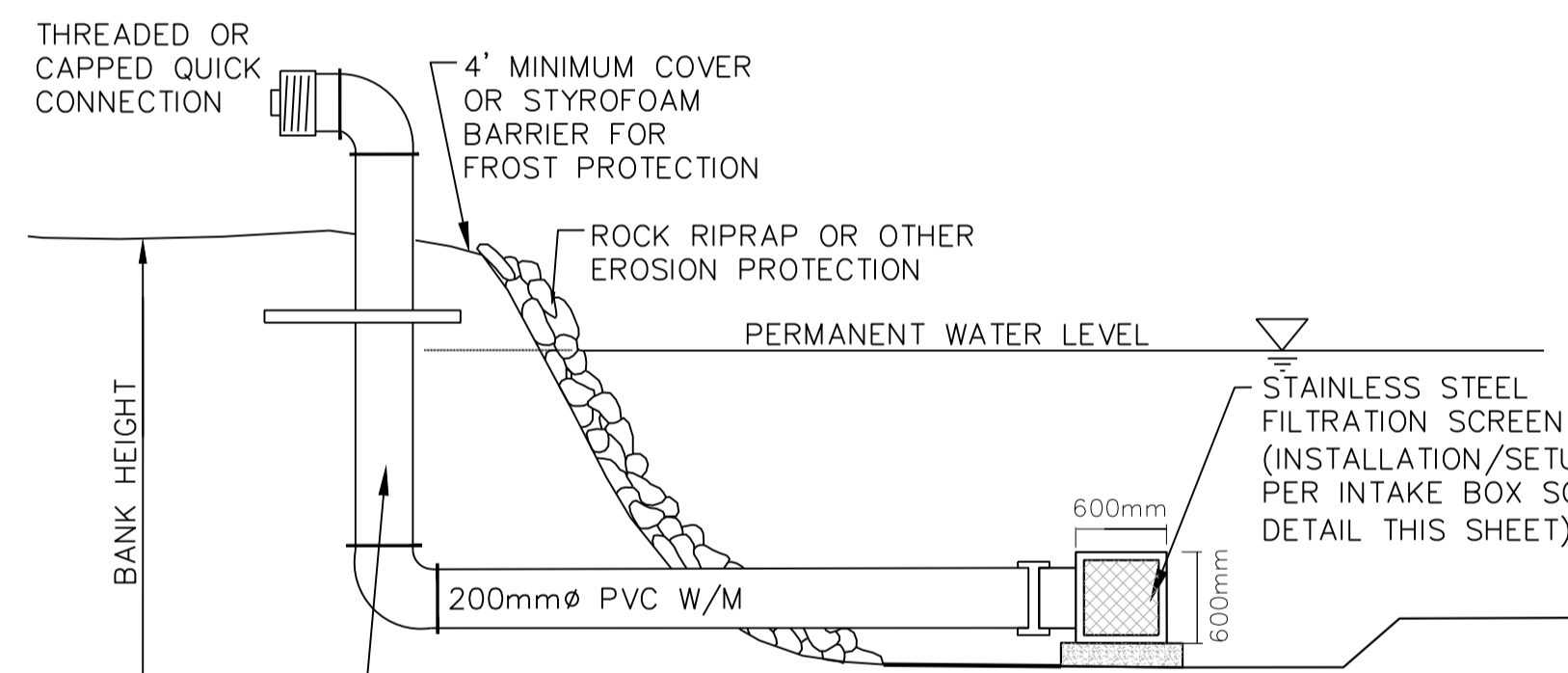
SCALE 1:200 **D12** TYPICAL ASPHALT ROAD SECTION



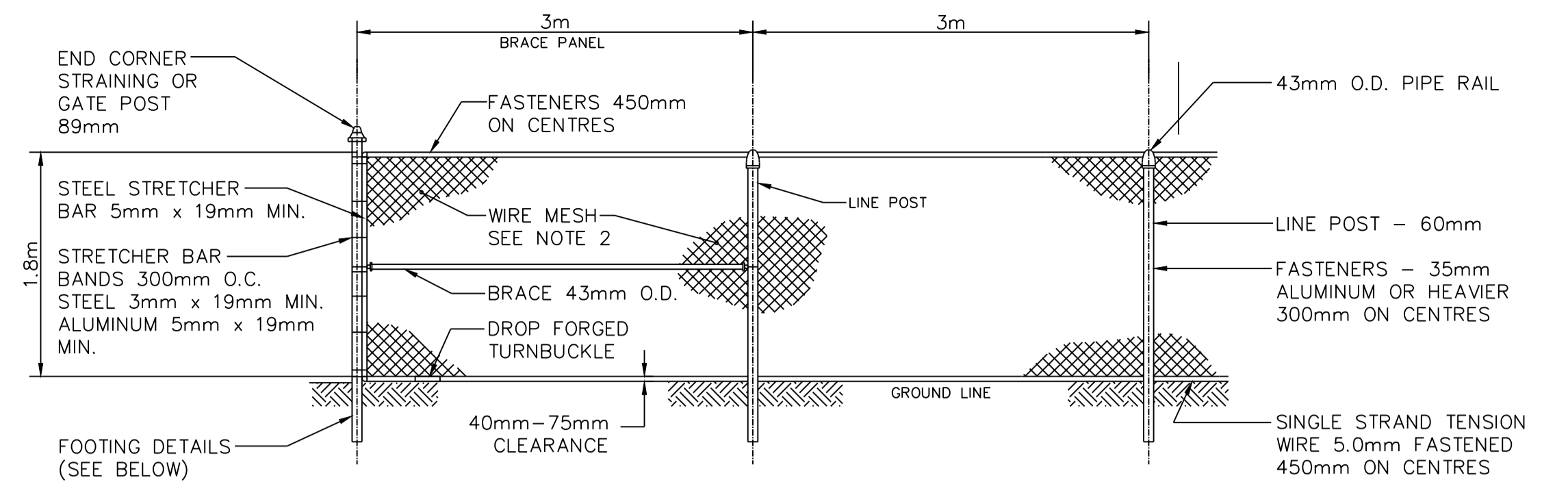
SCALE 1:200 **D13** TYPICAL PERIMETER DITCH AROUND DROP-OFF AREA



SCALE NTS **D07** BOLLARD DETAIL



SCALE NTS **D09** EMERGENCY FIREPOND STANDPIPE CONFIGURATION



FENCE DETAILS

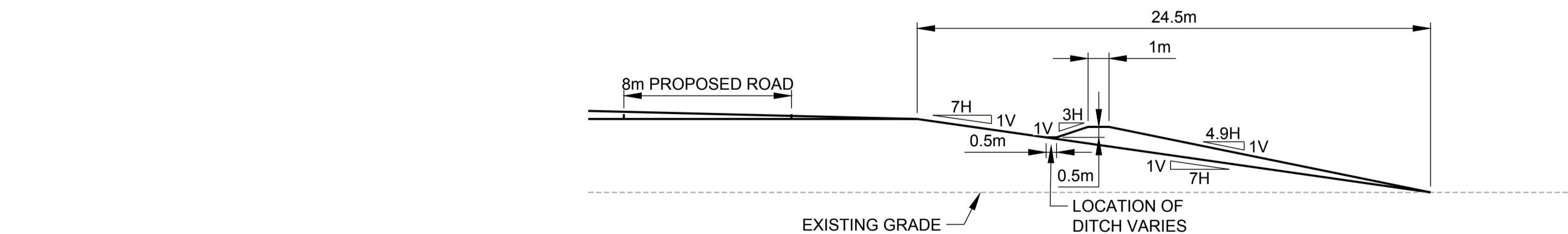
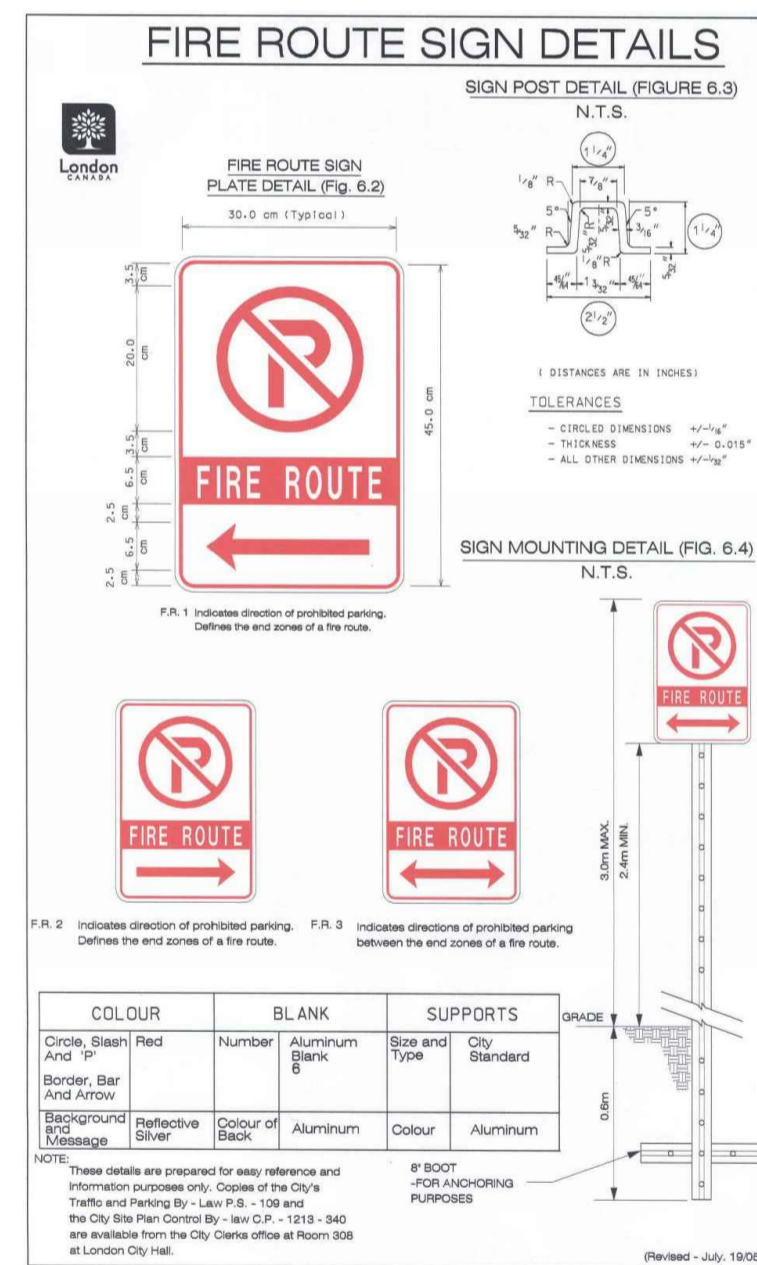
IN EARTH OR WALKWAY

NOTES

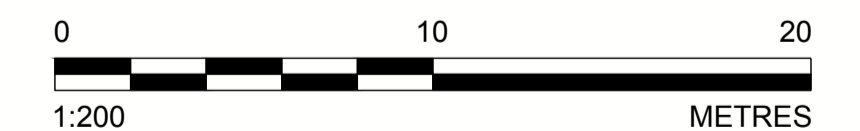
- FOR FABRIC WIDTH OF 1.8m INSTALL KNUCKLED EDGE AT BOTTOM & BARBED EDGE AT TOP.
- CHAIN LINK FABRIC TO BE BLACK VINYL COATED 3.5mm O.D. WITH 3.2mm GALVANIZED STEEL CORE WOVEN INTO A 38mm MESH. TOP & BOTTOM SALVAGE TO HAVE A KNUCKLED FINISH. TENSIL STRENGTH OF INDIVIDUAL PICKETS TO STAND TEST OF 550 MPa.
- ALL POST RAILS, CONNECTOR & FITTINGS TO BE GALVANIZED & BLACK COATED.

ALL DIMENSIONS IN mm EXCEPT AS NOTED

SCALE NTS **D08** CHAIN LINK SECURITY FENCE



SCALE 1:200 **D14** TYPICAL PERIMETER DITCH ON PERIMETER BERM



Path: g:\golder\gpc\chatawa\active\spatial\miller_paving\ltd\crrrc\cadd\1787048\1787048\0008.dwg | Last Edited By: mfergalt Date: 2018-06-14 Time: 3:50:10 PM | Printed By: mfergalt Date: 2018-06-14 Time: 3:50:10 PM

IF THIS MEASUREMENT DOES NOT MATCH WHAT IS SHOWN, THE SHEET SIZE HAS BEEN MODIFIED FROM: ANSI D

SEAL

CLIENT

TAGGART MILLER ENVIRONMENTAL SERVICES

PROJECT

CAPITAL REGION RESOURCE RECOVERY CENTRE

CONSULTANT



GOLDER ASSOCIATES LTD.
1931 ROBERSON ROAD
OTTAWA, ONTARIO
CANADA
[+1] (613) 592 9600
www.golder.com

TITLE

DETAIL SHEET

1	2018-06-15	ISSUED FOR FOR SITE PLAN APPROVAL
REV.	YYYY-MM-DD	DESCRIPTION

MHK	MLF	DVK	DVK
DESIGNED	PREPARED	REVIEWED	APPROVED

PROJECT NO.	CONTROL	REV.	of	DRAWING
1787048	0006	1		C36