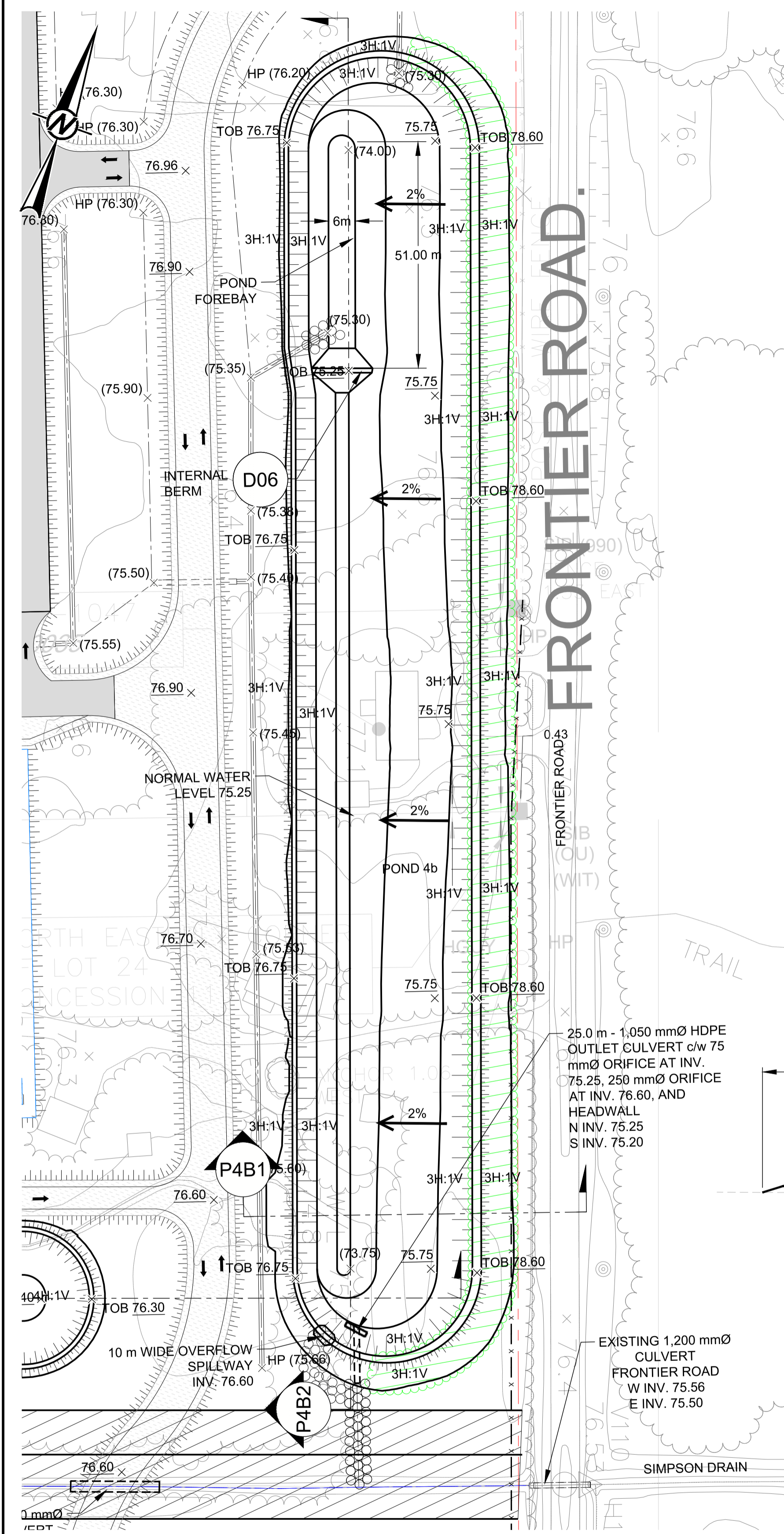
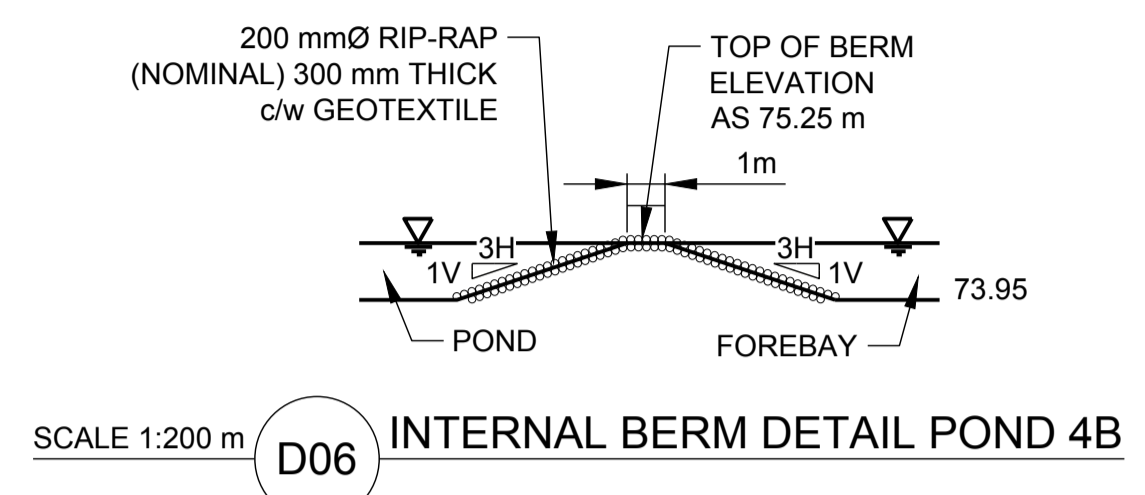


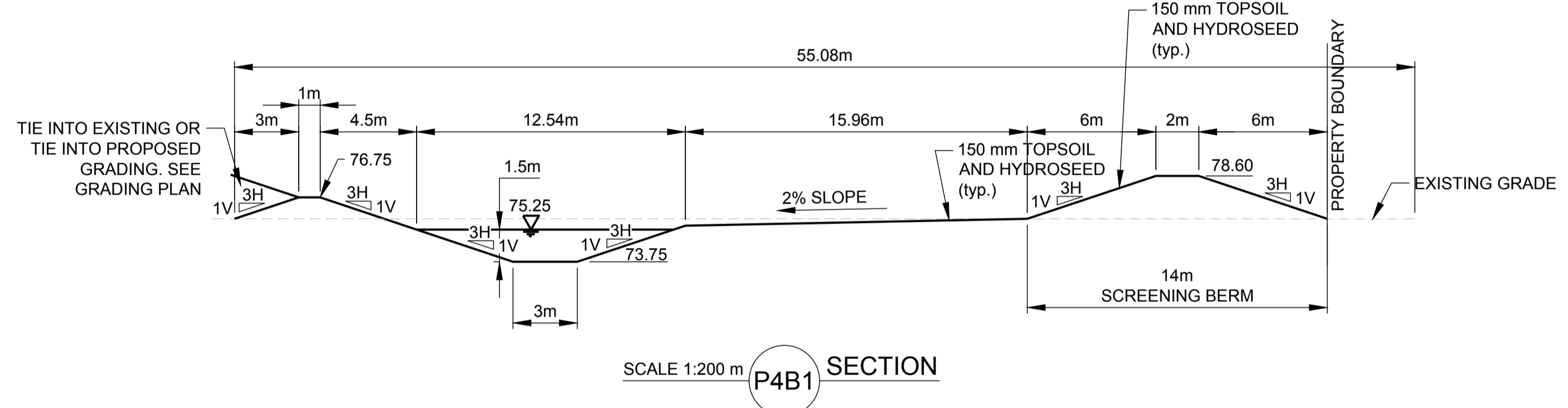
Path: g:\golder\gpc\chatawa\active\spatial\miller_paving_ldr\CRRC\ACAD\1787048\0000_POND_04.dwg | Last Edited By: zasaue Date: 2018-06-14 Time: 4:38:17 PM
 Path: g:\golder\gpc\chatawa\active\spatial\miller_paving_ldr\CRRC\ACAD\1787048\0000_POND_04.dwg | Last Edited By: zasaue Date: 2018-06-14 Time: 4:38:17 PM



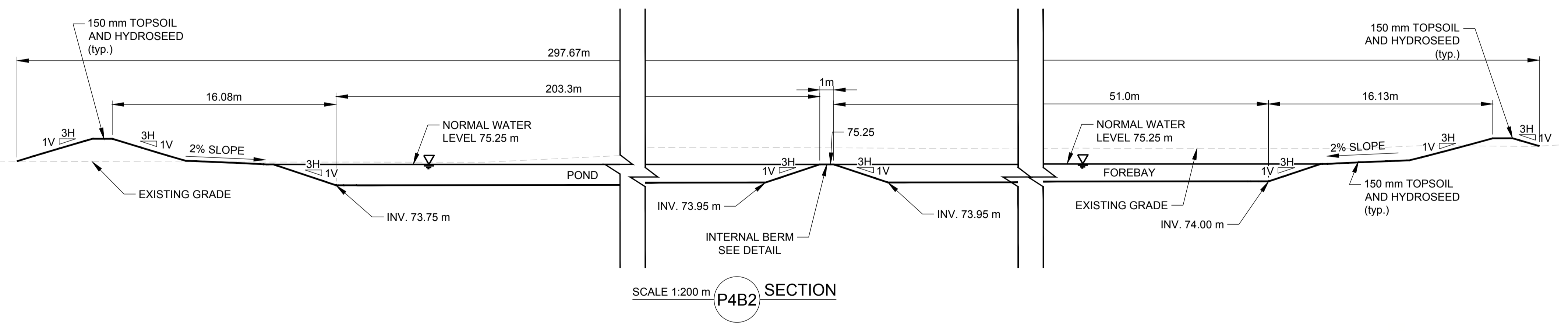
PLAN VIEW OF POND 4B
SCALE 1:750 m



D06 INTERNAL BERM DETAIL POND 4B
SCALE 1:200 m



P4B1 SECTION
SCALE 1:200 m

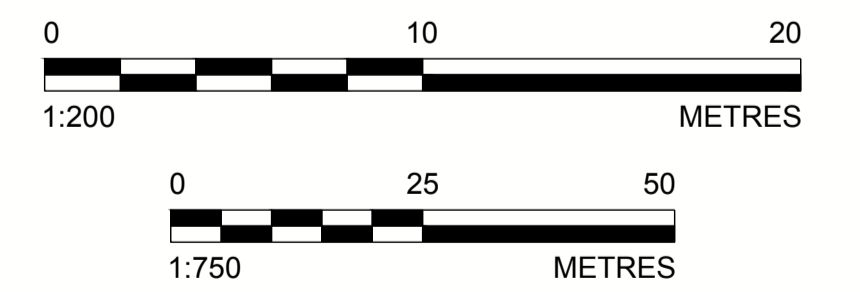


P4B2 SECTION
SCALE 1:200 m

LEGEND

	PROPERTY BOUNDARY
x (75.50)	PROPOSED SWALE GRADE
x 77.25	PROPOSED GRADE
x 77.25	PROPOSED TOP OF BERM GRADE
H.P.	HIGH POINT
	PROPOSED SURFACE DRAINAGE DIRECTION
	PROPOSED RIP-RAP (NOMINAL 200 mmØ, 300 mm THICK c/w GEOTEXTILE)
x 75.8	EXISTING GRADE
	PROPOSED DITCH
	PROPOSED 600 mmØ CULVERT OR AS NOTED
	EXISTING CULVERT AS NOTED

NOTE(S)
 1. ALL GRADES ARE METRES ABOVE SEA LEVEL (masl)
 2. TO BE READ IN CONJUNCTION WITH GRADING PLAN NO. GD1 TO GD14.



1	2018-06-15	ISSUED FOR SITE PLAN APPROVAL	MHK	MLF	DVK	DVK
REV.	YYYY-MM-DD	DESCRIPTION	DESIGNED	PREPARED	REVIEWED	APPROVED

SEAL

CLIENT
TAGGART MILLER ENVIRONMENTAL SERVICES

PROJECT
CAPITAL REGION RESOURCE RECOVERY CENTRE

CONSULTANT
GOLDER

GOLDER ASSOCIATES LTD.
1931 ROBERSON ROAD
OTTAWA, ONTARIO
CANADA
[+1] (613) 592 9600
www.golder.com

TITLE
POND 4b PLAN VIEW AND DETAILS

PROJECT NO. 1787048 CONTROL 0006 REV. 1 of DRAWING C31



IF THIS MEASUREMENT DOES NOT MATCH WHAT IS SHOWN, THE SHEET SIZE HAS BEEN MODIFIED FROM: ANSI D