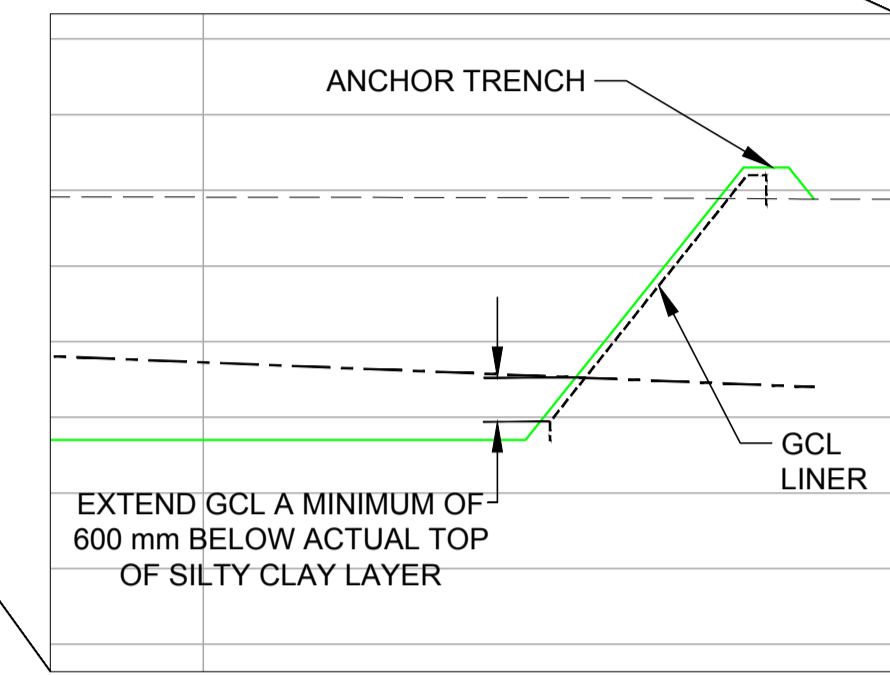
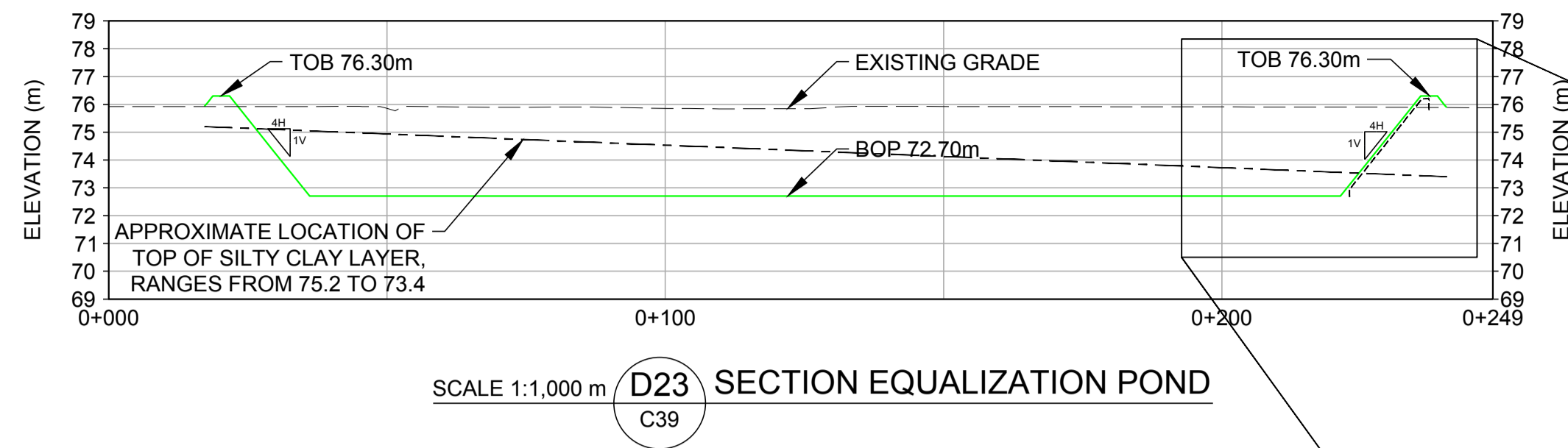
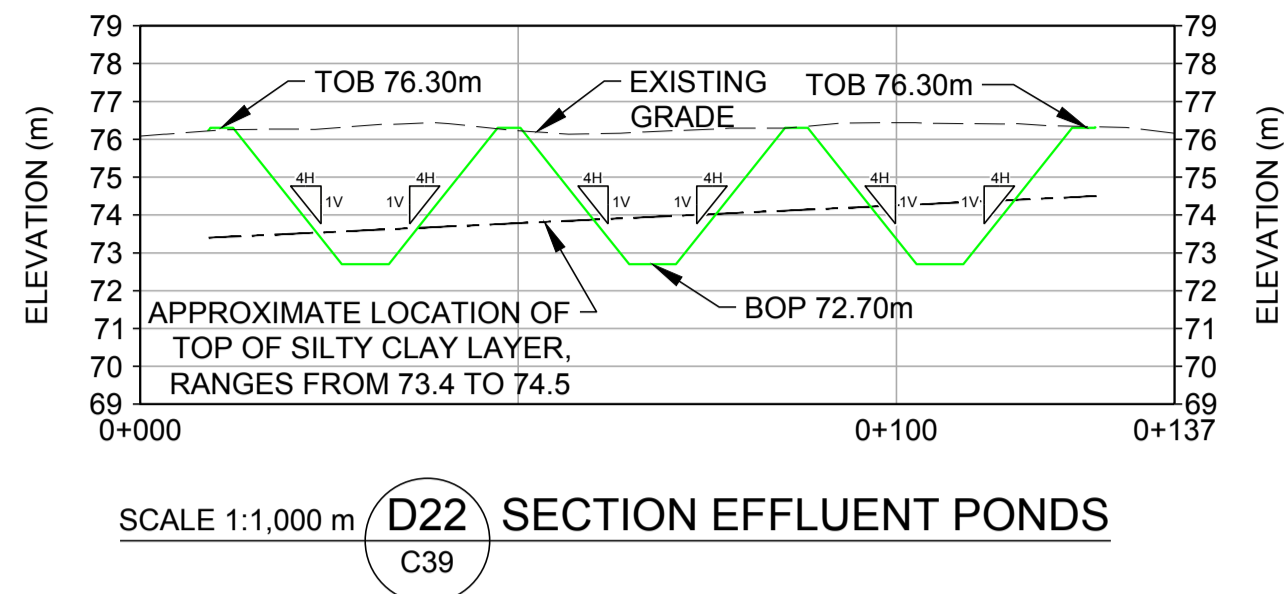
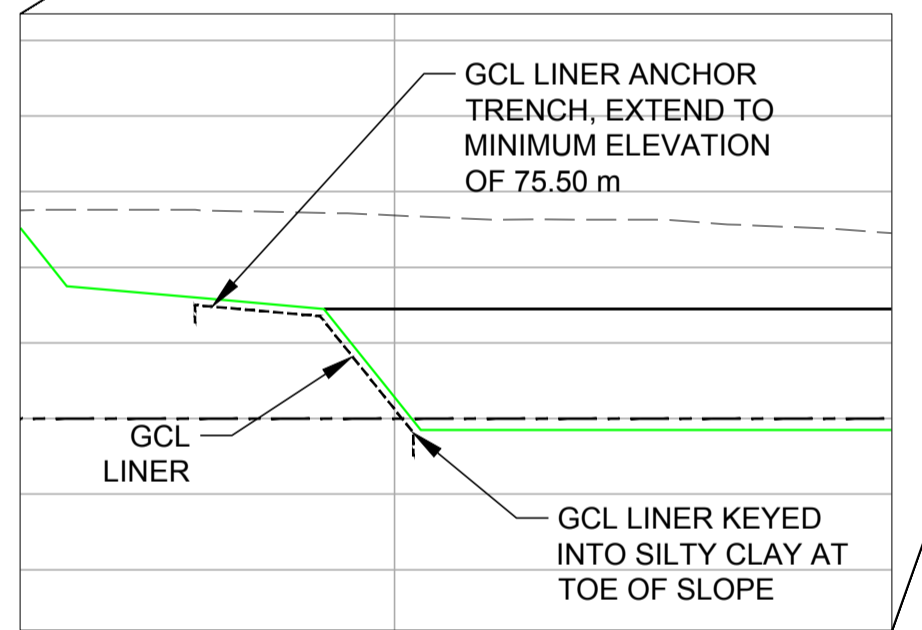
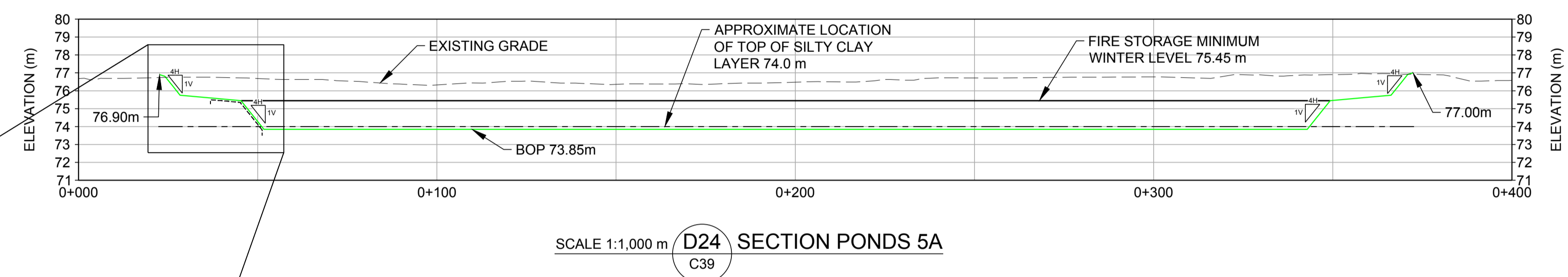


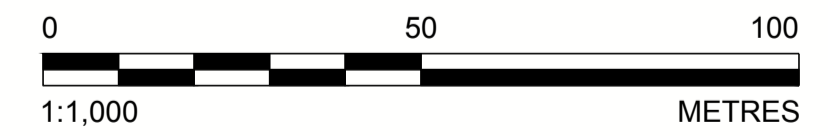
Path: \\golder\gpc\california\active\spatial_mmm\m\paving_ldc\crrc\cadd\1787048\06_C39\00000000_Slopes_Grading_Plan | File Name: 1787048-0006-C39-0000.dwg | Last Edited By: mfcg | Date: 2018-12-17 Time: 11:43:35 AM | Printed By: mfcg | Date: 2018-12-17 Time: 11:43:35 AM



TYPICAL GCL LINER DETAIL FOR LEACHATE AND EFFLUENT PONDS
SCALE NTS



TYPICAL GCL LINER DETAIL FOR POND 5A
SCALE NTS



SEAL



CLIENT
TAGGART MILLER ENVIRONMENTAL SERVICES

CONSULTANT
GOLDER
GOLDER ASSOCIATES LTD.
1931 ROBERSON ROAD
OTTAWA, ONTARIO
CANADA
[+1] (613) 592 9600
www.golder.com

PROJECT
CAPITAL REGION RESOURCE RECOVERY CENTRE

TITLE
DETAIL SHEET

REV.	YYYY-MM-DD	DESCRIPTION	DESIGNED	PREPARED	REVIEWED	APPROVED
2	2018-12-14	REVISED FOR SITE PLAN APPROVAL	MHK	MLF	DVK	DVK
1	2018-06-15	ISSUED FOR SITE PLAN APPROVAL	MHK	MLF	DVK	DVK

PROJECT NO. 1787048 CONTROL 0006 REV. 2 of DRAWING C39

IF THIS MEASUREMENT DOES NOT MATCH WHAT IS SHOWN, THE SHEET SIZE HAS BEEN MODIFIED FROM ANSI D 25 mm