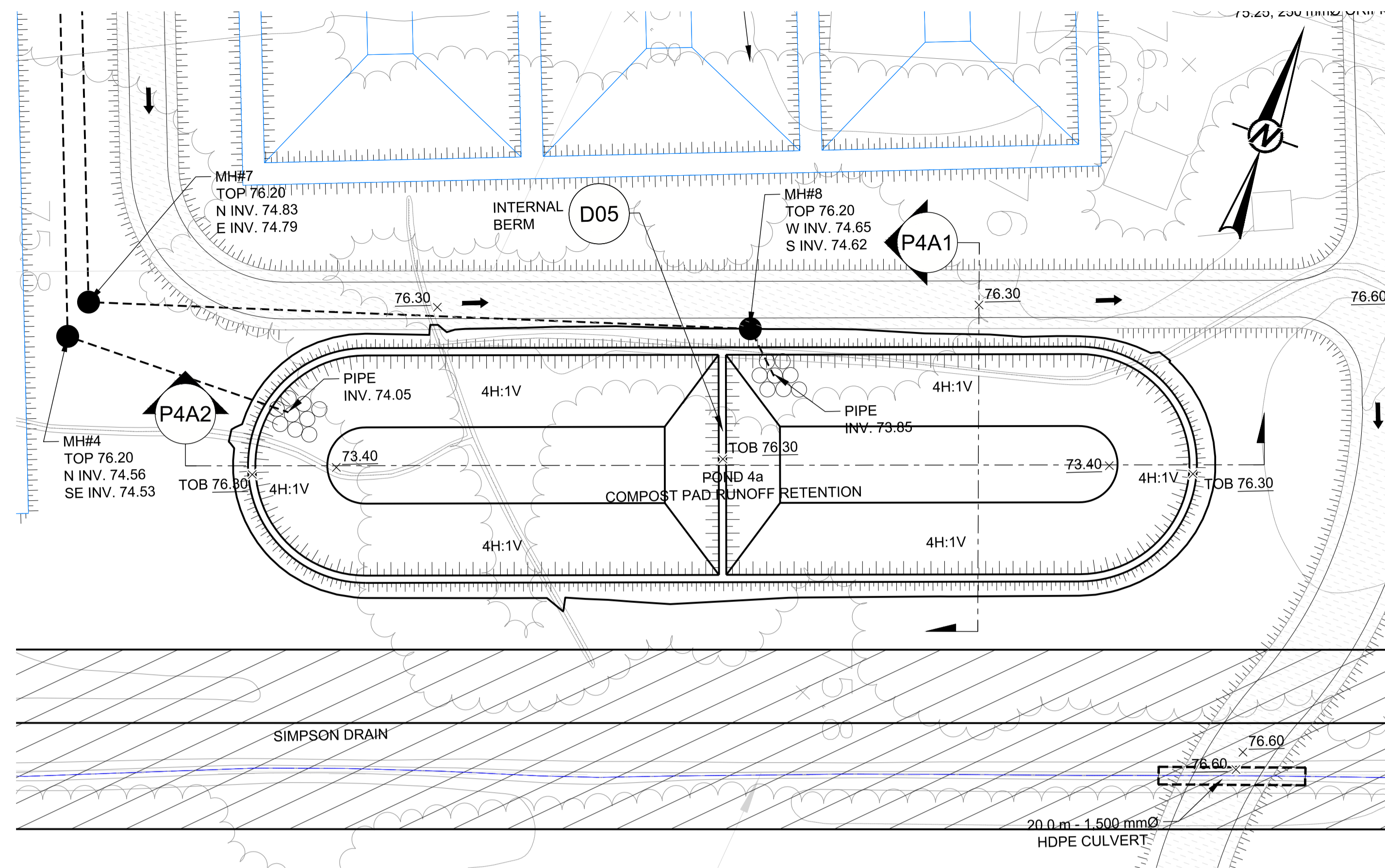
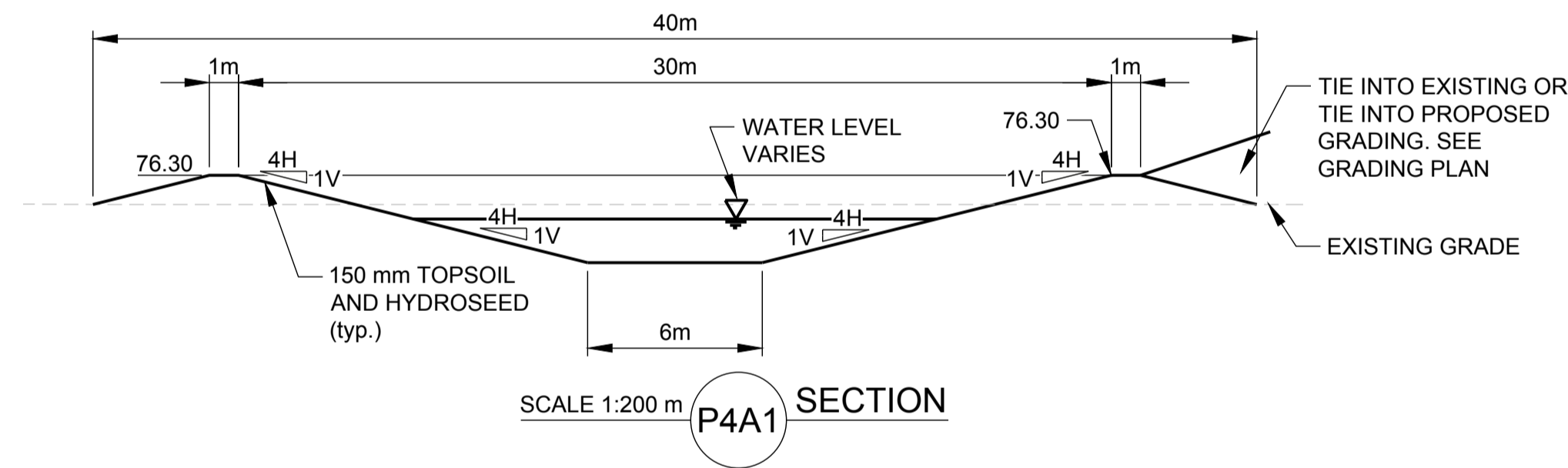


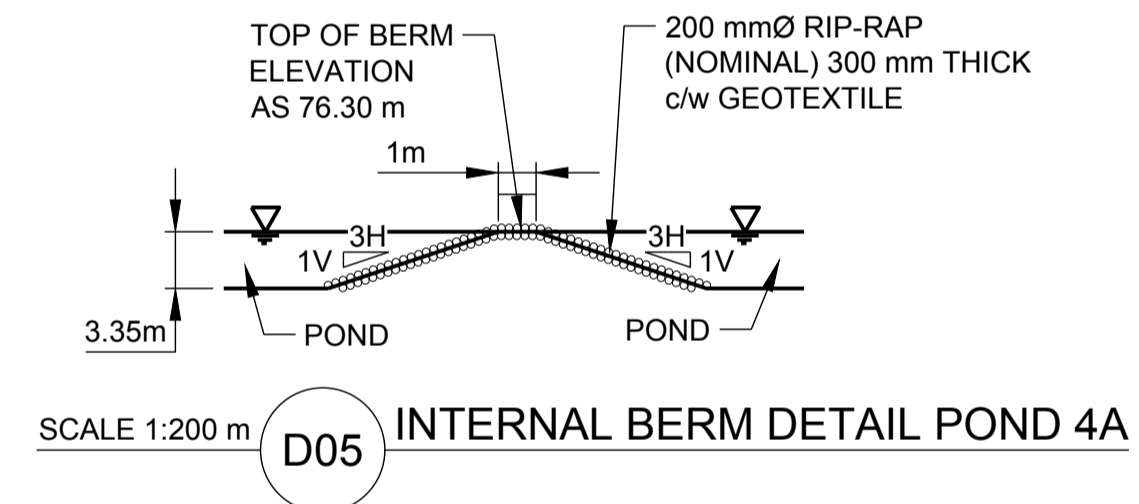
Path: g:\golder\golder\active\spatial\miller_paving\ltd\CRRC\CAD\1787048\005_CH\007.dwg | Last Edited By: zsaure | Date: 2018-06-14 11:44 AM | Printed By: zsaure | Date: 2018-06-14 11:44 AM | Time: 4:34:04 PM



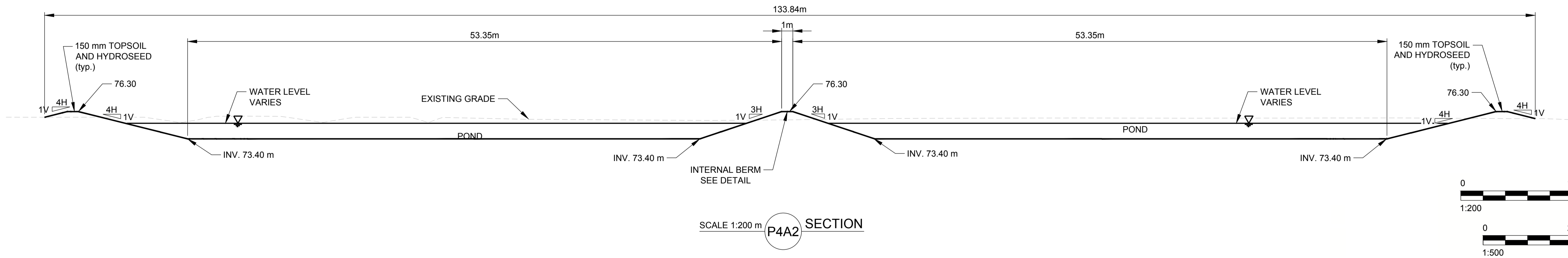
PLAN VIEW OF POND 4A
SCALE 1:500 m



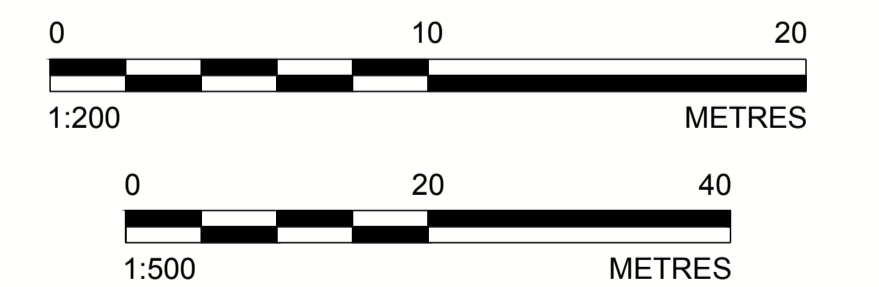
SCALE 1:200 m **P4A1 SECTION**



SCALE 1:200 m **D05 INTERNAL BERM DETAIL POND 4A**



SCALE 1:200 m **P4A2 SECTION**



POND 4A LEVEL
 1:2 EVENT LEVEL = 74.71
 1:5 EVENT LEVEL = 75.00
 1:25 EVENT LEVEL = 75.47
 1:100 EVENT LEVEL = 75.77

LEGEND	
---	PROPERTY BOUNDARY
x (75.50)	PROPOSED SWALE GRADE
x 77.25	PROPOSED GRADE
x 77.25	PROPOSED TOP OF BERM GRADE
H.P.	HIGH POINT
←	PROPOSED SURFACE DRAINAGE DIRECTION
⊗	PROPOSED RIP-RAP (NOMINAL 200 mmØ, 300 mm THICK c/w GEOTEXTILE)
x 75.8	EXISTING GRADE
---	PROPOSED DITCH
---	PROPOSED 600 mmØ CULVERT OR AS NOTED
---	EXISTING CULVERT AS NOTED

NOTE(S)
 1. ALL GRADES ARE METRES ABOVE SEA LEVEL (masl)
 2. TO BE READ IN CONJUNCTION WITH GRADING PLAN NO. GD1 TO GD14.

SEAL

CLIENT
TAGGART MILLER ENVIRONMENTAL SERVICES

PROJECT
CAPITAL REGION RESOURCE RECOVERY CENTRE



GOLDER ASSOCIATES LTD.
 1931 ROBERSON ROAD
 OTTAWA, ONTARIO
 CANADA
 (+1) (613) 592 9600
 www.golder.com

TITLE
POND 4a PLAN VIEW AND DETAILS

REV.	YYYY-MM-DD	DESCRIPTION	DESIGNED	PREPARED	REVIEWED	APPROVED
1	2018-06-15	ISSUED FOR SITE PLAN APPROVAL	MHK	MLF	DVK	DVK

PROJECT NO.	CONTROL	REV.	of	DRAWING
1787048	0006	1		C30

IF THIS MEASUREMENT DOES NOT MATCH WHAT IS SHOWN, THE SHEET SIZE HAS BEEN MODIFIED FROM: ANSI D