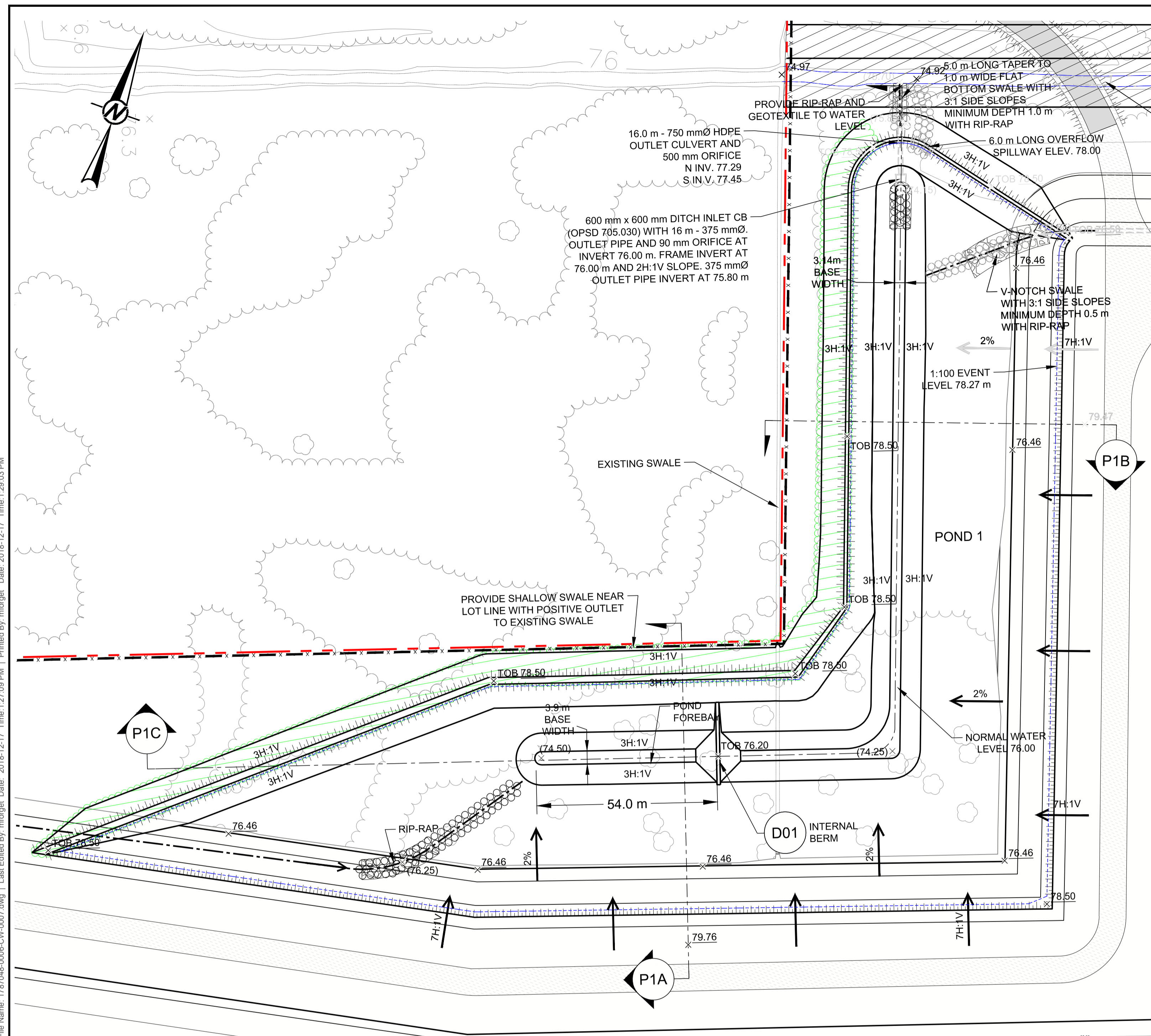
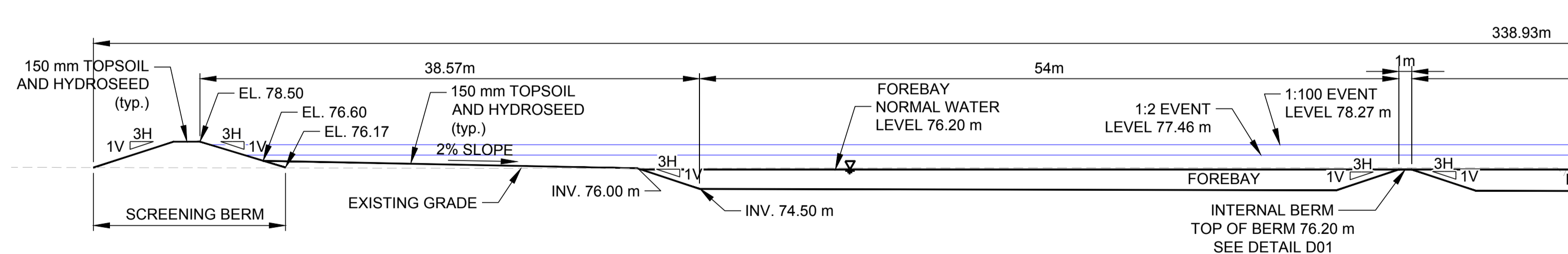


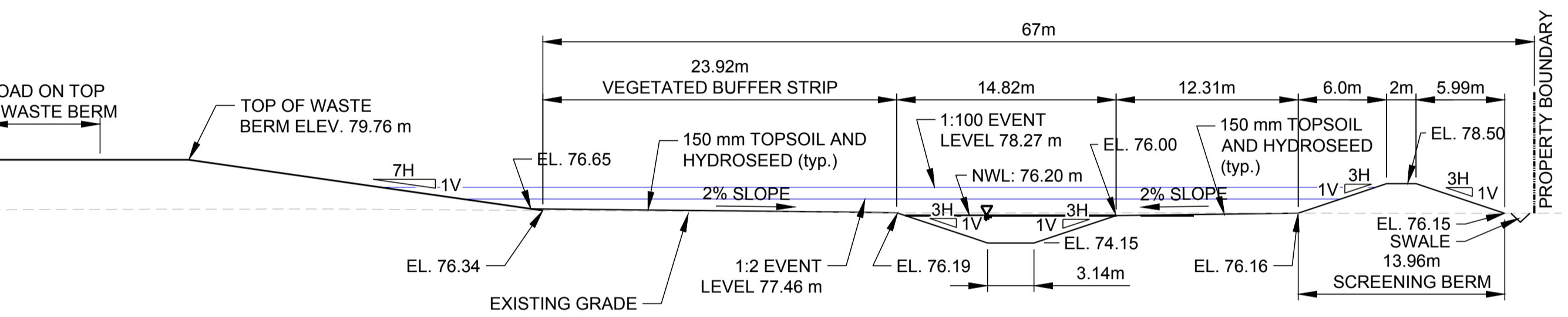
Path: \\golder.com\gpc\chawwa\active\spatial\mml\m\paving\lbcrrrc\cadd\1787048_006_CIV_CADD\006_Schem_Grading_Plan_1.dwg | Last Edited By: mfergall | Printed By: mfergall | Date: 2018-12-17 | Time: 1:29:03 PM
 File Name: 1787048_006_CIV_CADD | Last Edited By: mfergall | Date: 2018-12-17 | Time: 1:29:03 PM



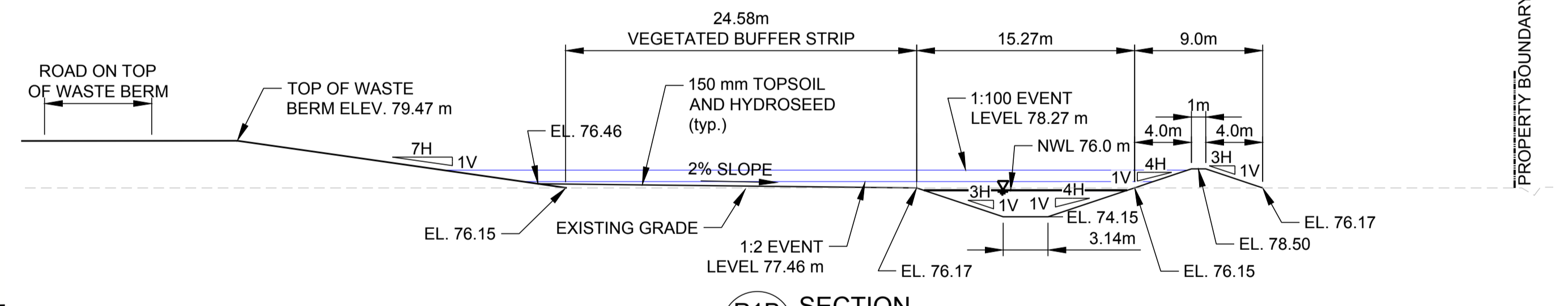
PLAN VIEW OF POND 1
SCALE 1:800 m



SECTION P1C
SCALE 1:200 m



SECTION P1A
SCALE 1:300 m



SECTION P1B
SCALE 1:300 m

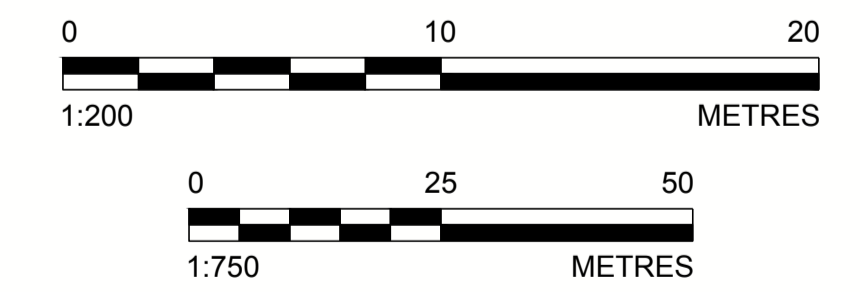
INTERNAL BERM DETAIL POND 1
SCALE 1:200 m

POND 1 LEVEL (masl)
 NORMAL WATER LEVEL = 76.00
 1:2 EVENT LEVEL = 77.46
 1:5 EVENT LEVEL = 77.69
 1:25 EVENT LEVEL = 78.02
 1:100 EVENT LEVEL = 78.27

LEGEND

- PROPERTY BOUNDARY
- × (75.50) PROPOSED SWALE GRADE
- × 77.25 PROPOSED GRADE
- × 77.25 PROPOSED TOP OF BERM GRADE
- H.P. HIGH POINT
- ← PROPOSED SURFACE DRAINAGE DIRECTION
- PROPOSED RIP-RAP (NOMINAL 200 mmØ, 300 mm THICK c/w GEOTEXTILE)
- EXISTING GRADE
- PROPOSED DITCH
- PROPOSED 600 mmØ CULVERT OR AS NOTED
- EXISTING CULVERT AS NOTED

NOTE(S)
 1. ALL GRADES ARE METRES ABOVE SEA LEVEL (masl)
 2. TO BE READ IN CONJUNCTION WITH GRADING PLAN NO. GD1 TO GD14.



REV.	YYYY-MM-DD	DESCRIPTION	DESIGNED	PREPARED	REVIEWED	APPROVED
2	2018-12-14	REVISED FOR SITE PLAN APPROVAL	MHK	MLF	DVK	DVK
1	2018-06-15	ISSUED FOR SITE PLAN APPROVAL	MHK	MLF	DVK	DVK



CLIENT
TAGGART MILLER ENVIRONMENTAL SERVICES



GOLDER ASSOCIATES LTD.
 1931 ROBERSON ROAD
 OTTAWA, ONTARIO
 CANADA
 (+1) (613) 592 9600
 www.golder.com

PROJECT
CAPITAL REGION RESOURCE RECOVERY CENTRE

TITLE
POND 1 PLAN VIEW AND DETAILS

PROJECT NO.	CONTROL	REV.	of	DRAWING
1787048	0006	2		C27