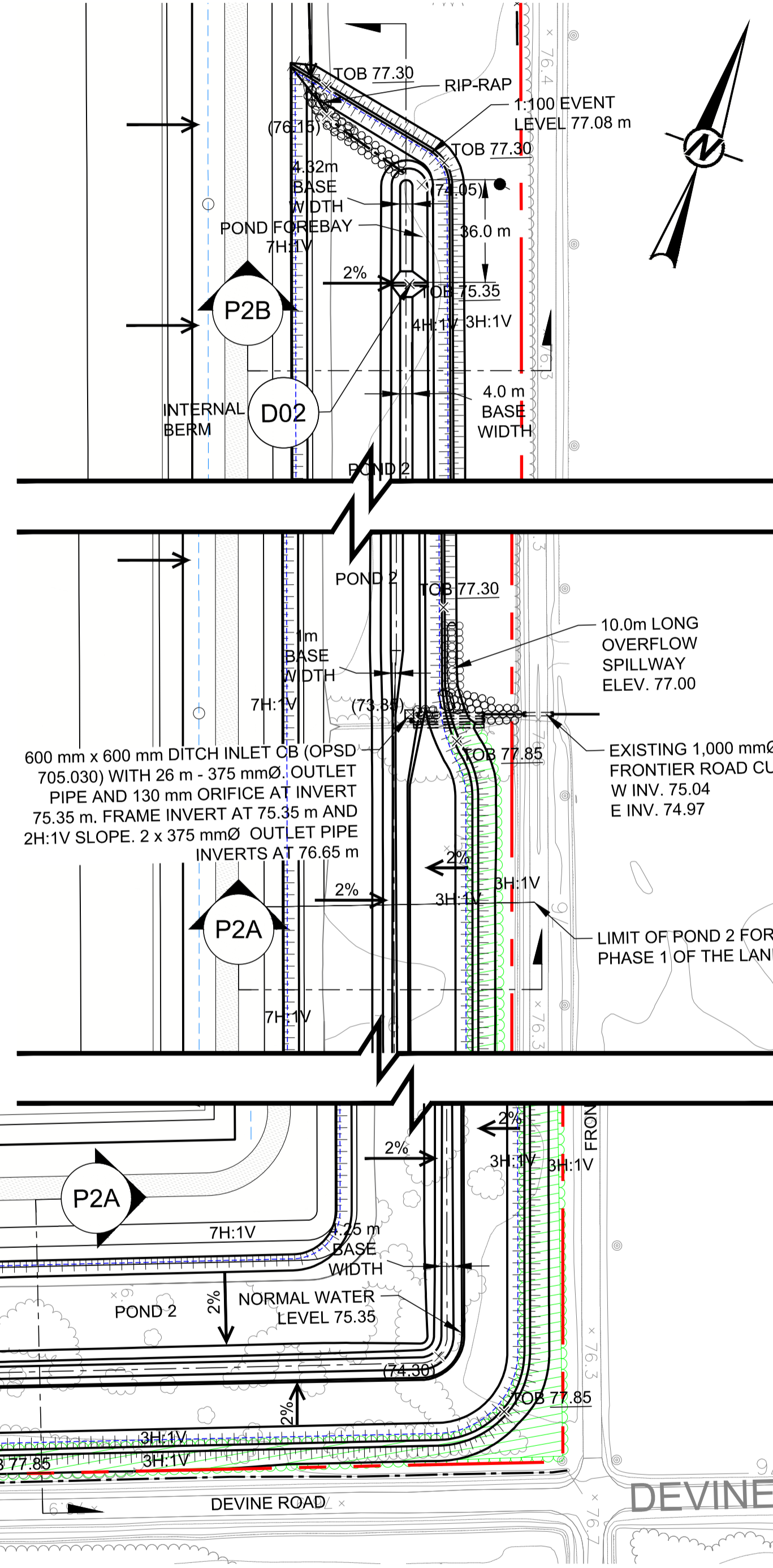
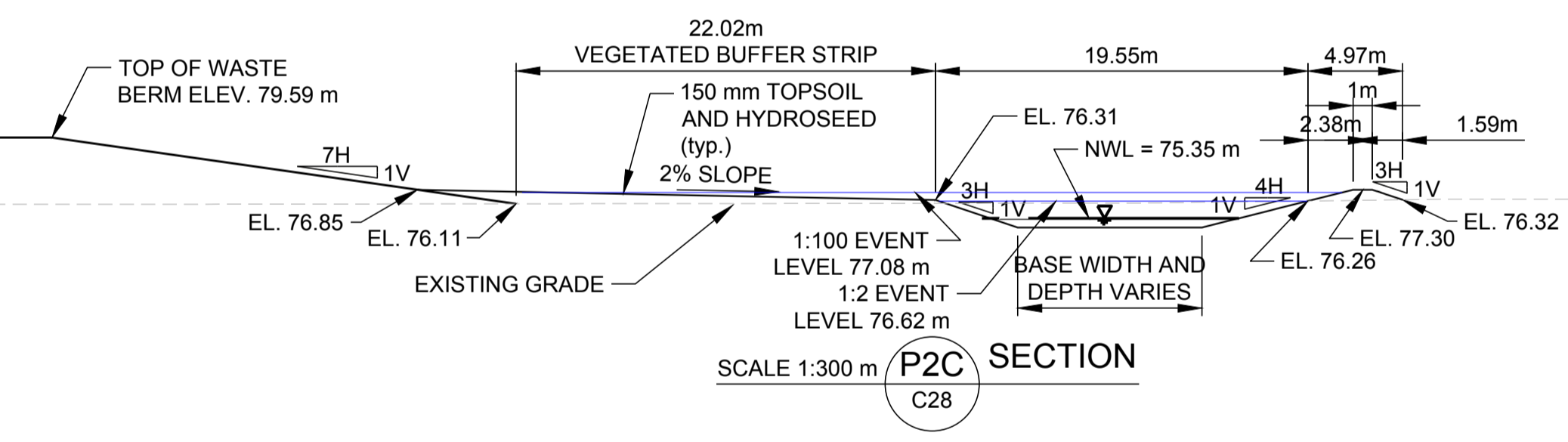
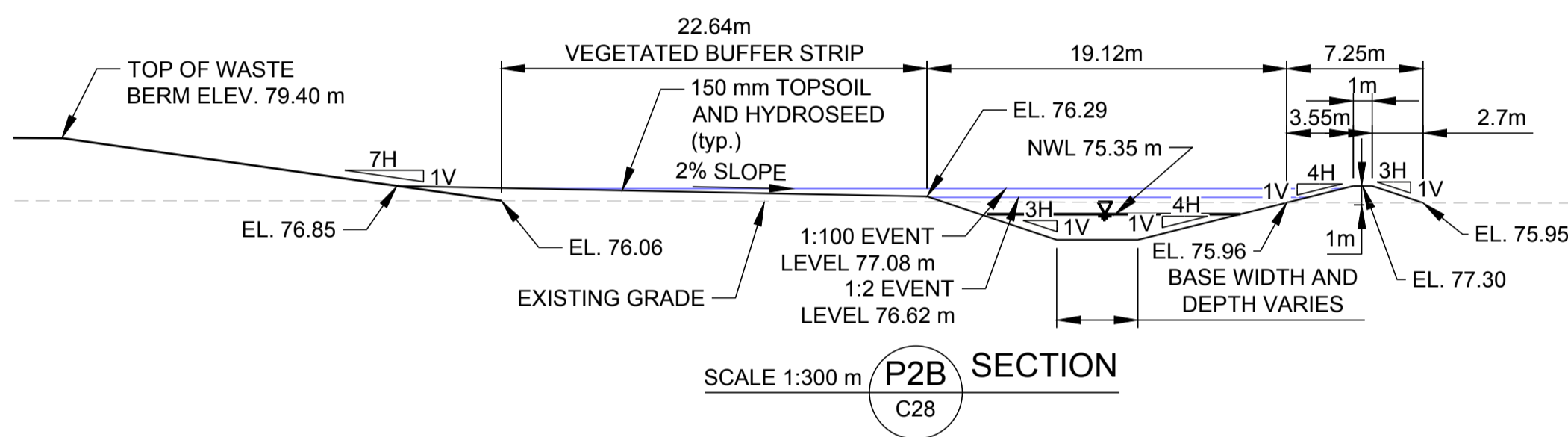
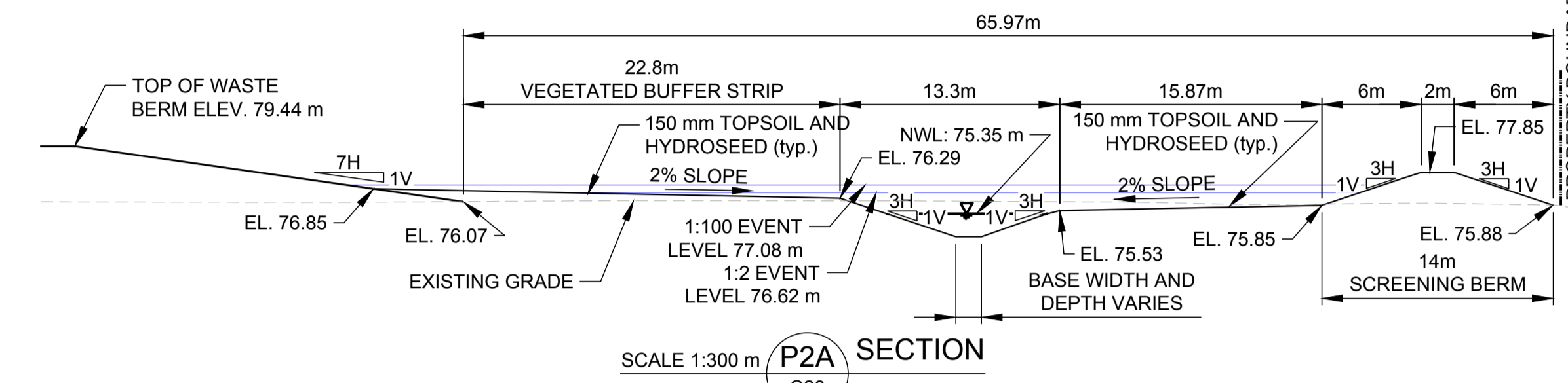
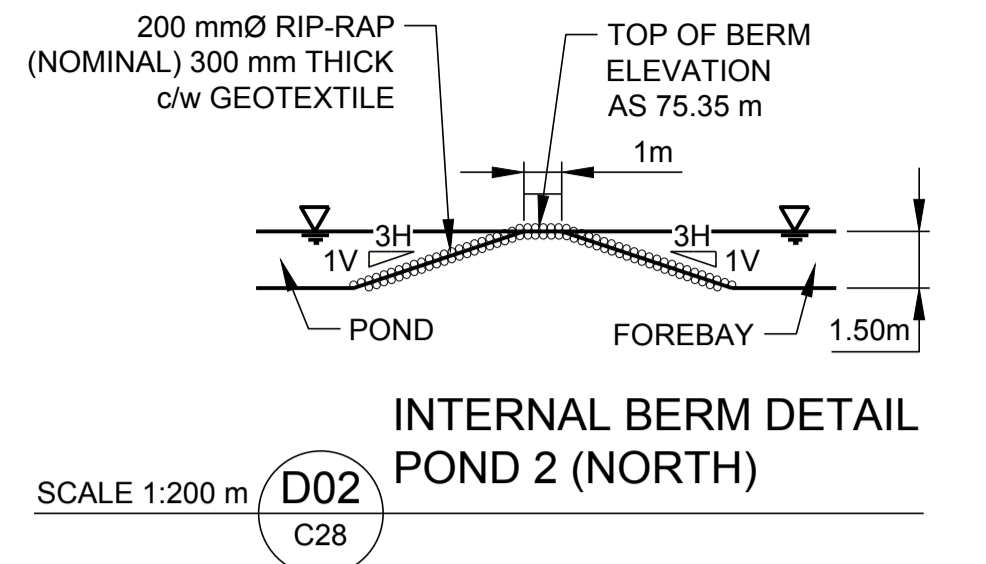
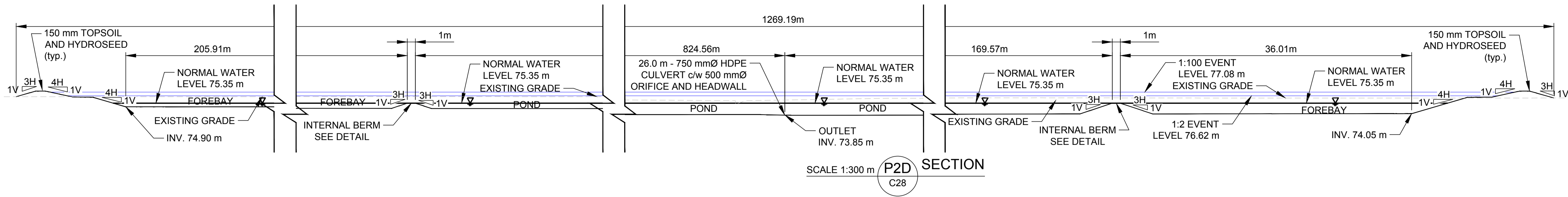


Path: \\golder.com\gpc\ch04\active\spatial\_mml\miller\_paving\lbcrrrc\cadd\1787048\_006\_Pond2\_Grading\_Plan.dwg | File Name: 1787048-006-CH-007.dwg | Last Edited By: mfergall | Printed By: mfergall | Date: 2018-12-17 | Time: 1:37:23 PM



**LEGEND**

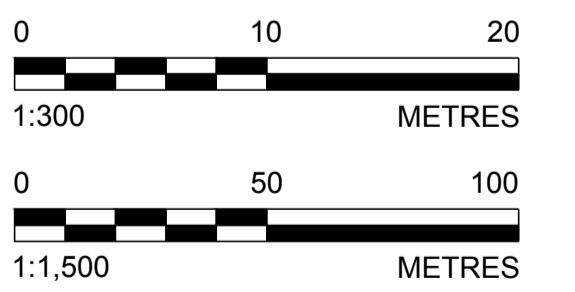
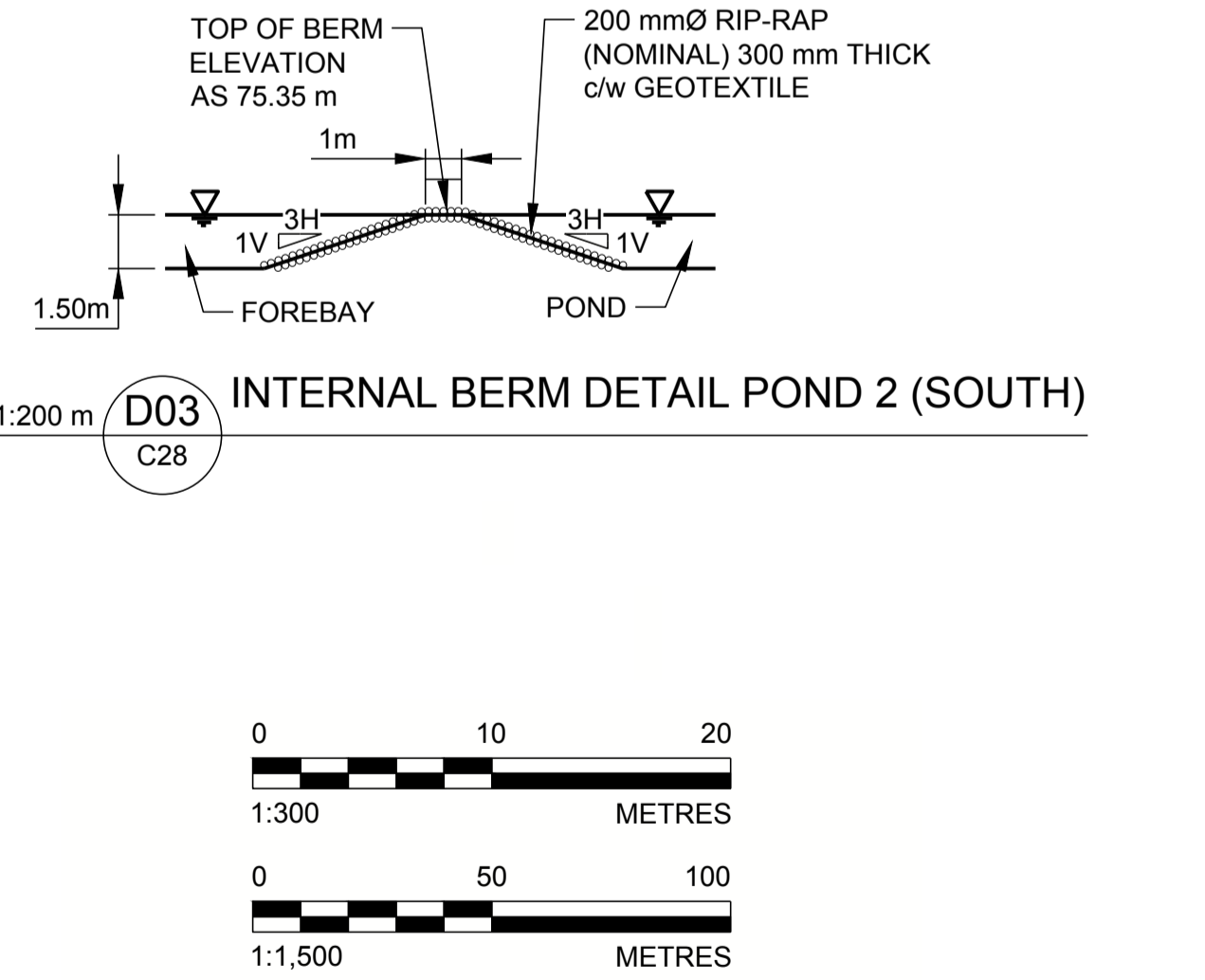
- PROPERTY BOUNDARY
- x (75.50) PROPOSED SWALE GRADE
- x 77.25 PROPOSED GRADE
- x 77.25 PROPOSED TOP OF BERM GRADE
- H.P. HIGH POINT
- ← PROPOSED SURFACE DRAINAGE DIRECTION
- 75.8 PROPOSED RIP-RAP (NOMINAL 200 mmØ, 300 mm THICK c/w GEOTEXTILE)
- PROPOSED DITCH
- PROPOSED 600 mmØ CULVERT OR AS NOTED
- EXISTING CULVERT AS NOTED

**NOTE(S)**

- ALL GRADES ARE METRES ABOVE SEA LEVEL (masl)
- TO BE READ IN CONJUNCTION WITH GRADING PLAN NO. GD1 TO GD14.

**POND 2 LEVEL (masl)**

- NORMAL WATER LEVEL = 75.35
- 1:2 EVENT LEVEL = 76.62
- 1:5 EVENT LEVEL = 76.75
- 1:25 EVENT LEVEL = 76.93
- 1:100 EVENT LEVEL = 77.08



REV.	YYYY-MM-DD	DESCRIPTION	DESIGNED	PREPARED	REVIEWED	APPROVED
2	2018-12-14	REVISED FOR SITE PLAN APPROVAL	MHK	MLF	DVK	DVK
1	2018-06-15	ISSUED FOR SITE PLAN APPROVAL	MHK	MLF	DVK	DVK

SEAL

CLIENT  
**TAGGART MILLER ENVIRONMENTAL SERVICES**

PROJECT  
**CAPITAL REGION RESOURCE RECOVERY CENTRE**

CONSULTANT  
**GOLDER ASSOCIATES LTD.**  
1931 ROBBERSON ROAD  
OTTAWA, ONTARIO  
CANADA  
[+1] (613) 592 9600  
www.golder.com

TITLE  
**POND 2 PLAN VIEW AND DETAILS**

PROJECT NO. 1787048    CONTROL 0006    REV. 2 of 2    DRAWING **C28**

**M.H.H. KNOWLES**  
100113780  
2018/12/14  
PROVINCE OF ONTARIO

**GOLDER**

IF THIS MEASUREMENT DOES NOT MATCH WHAT IS SHOWN, THE SHEET SIZE HAS BEEN MODIFIED FROM: ANSI D 25 mm