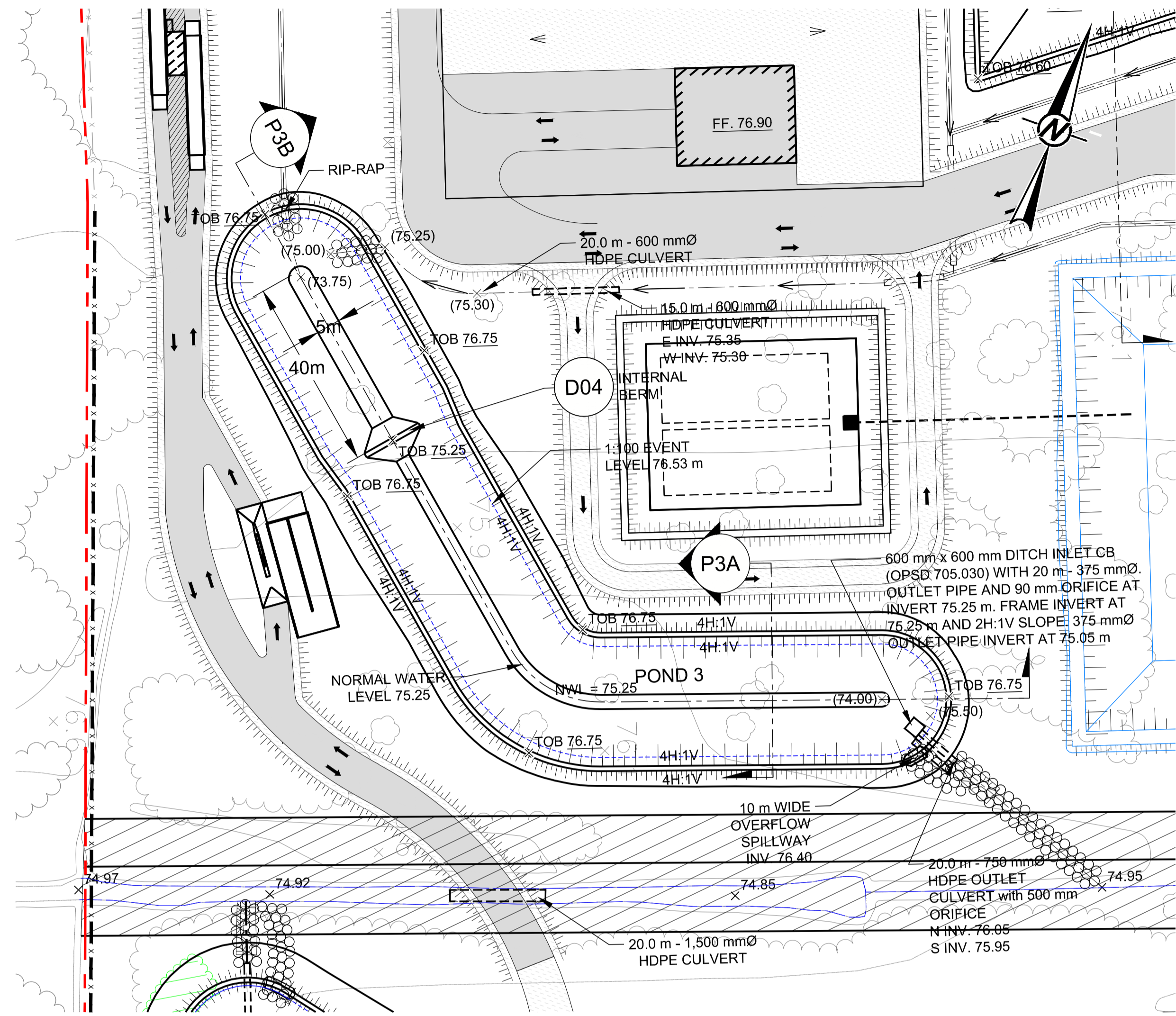


Path: \\golder\gpc\california\active\spatial_mmm\paving\lbcrrrc\cadd\1787048\1787048-0005-CH-0007.dwg | Last Edited By: mfergall | Date: 2018-12-17 Time: 1:27:05 PM | Printed By: mfergall | Date: 2018-12-17 Time: 1:28:17 PM

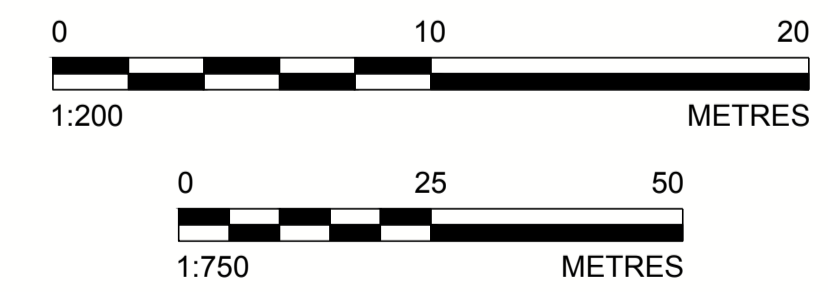
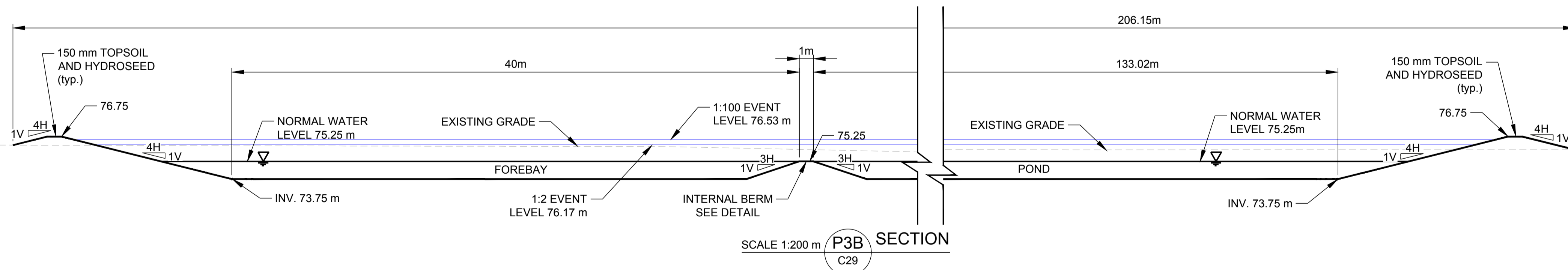
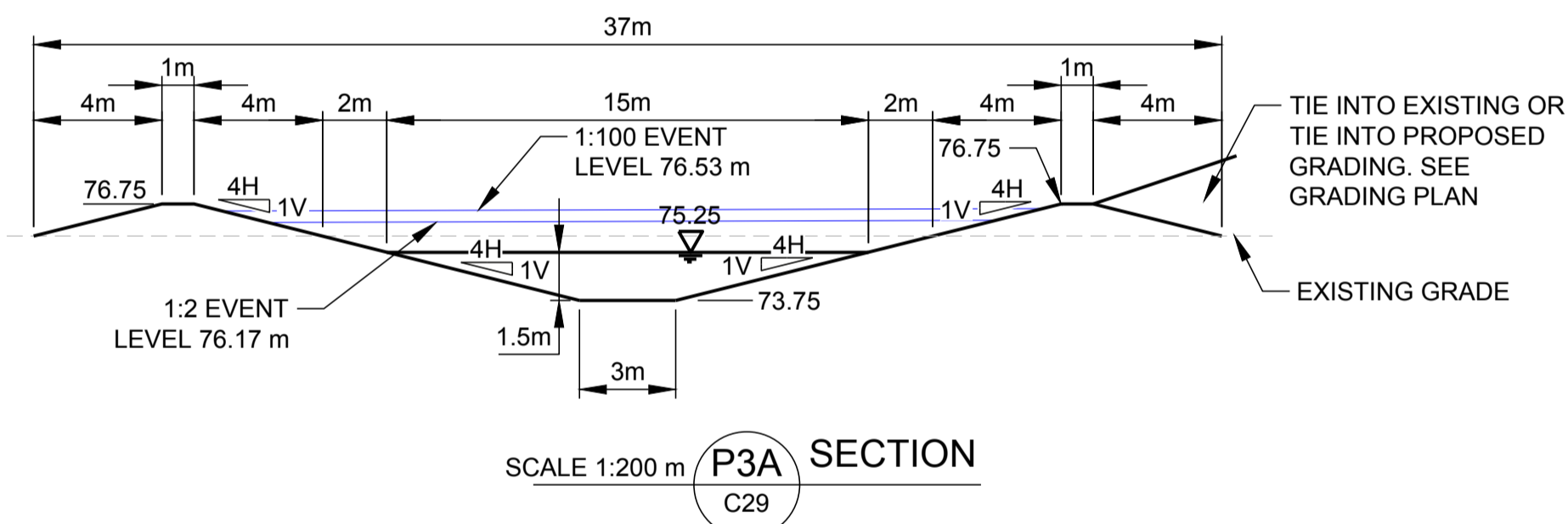
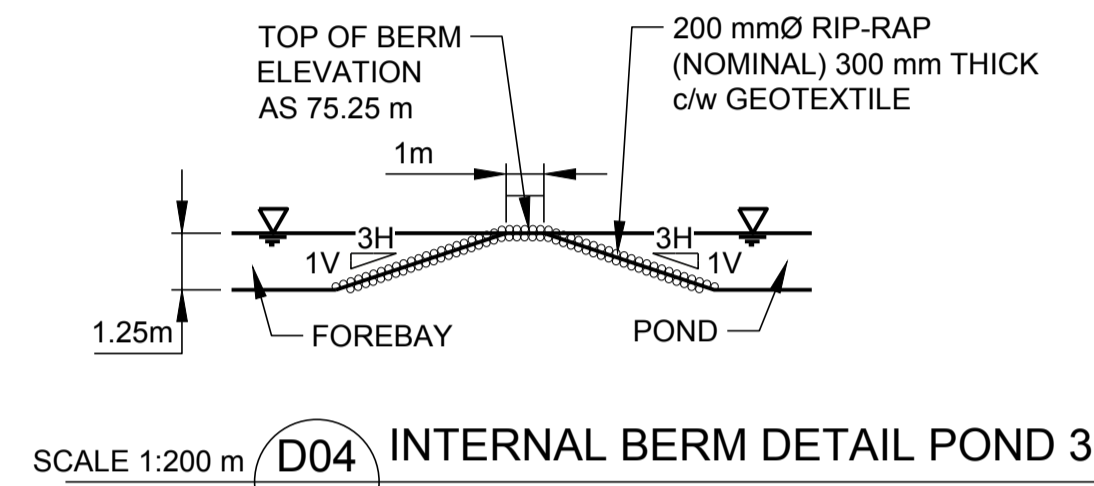


POND 3 LEVEL (masl)
 NORMAL WATER LEVEL = 75.25
 1:2 EVENT LEVEL = 76.17
 1:5 EVENT LEVEL = 76.30
 1:25 EVENT LEVEL = 76.46
 1:100 EVENT LEVEL = 76.53

LEGEND

	PROPERTY BOUNDARY
x (75.50)	PROPOSED SWALE GRADE
x 77.25	PROPOSED GRADE
x TOB 77.25	PROPOSED TOP OF BERM GRADE
H.P.	HIGH POINT
	PROPOSED SURFACE DRAINAGE DIRECTION
	PROPOSED RIP-RAP (NOMINAL 200 mmØ, 300 mm THICK c/w GEOTEXTILE)
75.8	EXISTING GRADE
	PROPOSED DITCH
	PROPOSED 600 mmØ CULVERT OR AS NOTED
	EXISTING CULVERT AS NOTED

NOTE(S)
 1. ALL GRADES ARE METRES ABOVE SEA LEVEL (masl)
 2. TO BE READ IN CONJUNCTION WITH GRADING PLAN NO. GD1 TO GD14.



REV.	YYYY-MM-DD	DESCRIPTION	DESIGNED	PREPARED	REVIEWED	APPROVED
2	2018-12-14	REVISED FOR SITE PLAN APPROVAL	MHK	MLF	DVK	DVK
1	2018-06-15	ISSUED FOR SITE PLAN APPROVAL	MHK	MLF	DVK	DVK

SEAL

CLIENT
TAGGART MILLER ENVIRONMENTAL SERVICES

PROJECT
CAPITAL REGION RESOURCE RECOVERY CENTRE

CONSULTANT
GOLDER ASSOCIATES LTD.
1931 ROBERSON ROAD
OTTAWA, ONTARIO
CANADA
[+1] (613) 592 9600
www.golder.com

TITLE
POND 3 PLAN VIEW AND DETAILS

PROJECT NO. 1787048 CONTROL 0006 REV. 2 of DRAWING C29



IF THIS MEASUREMENT DOES NOT MATCH WHAT IS SHOWN, THE SHEET SIZE HAS BEEN MODIFIED FROM ANSI D 25 mm