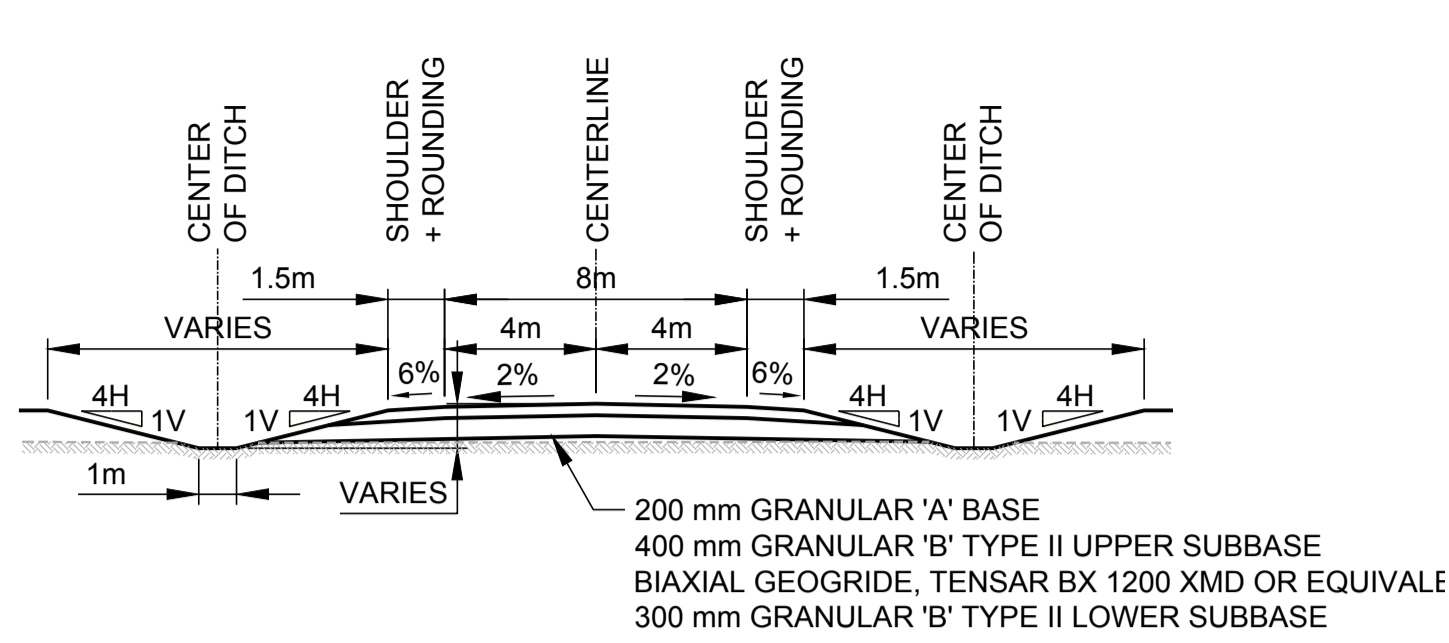
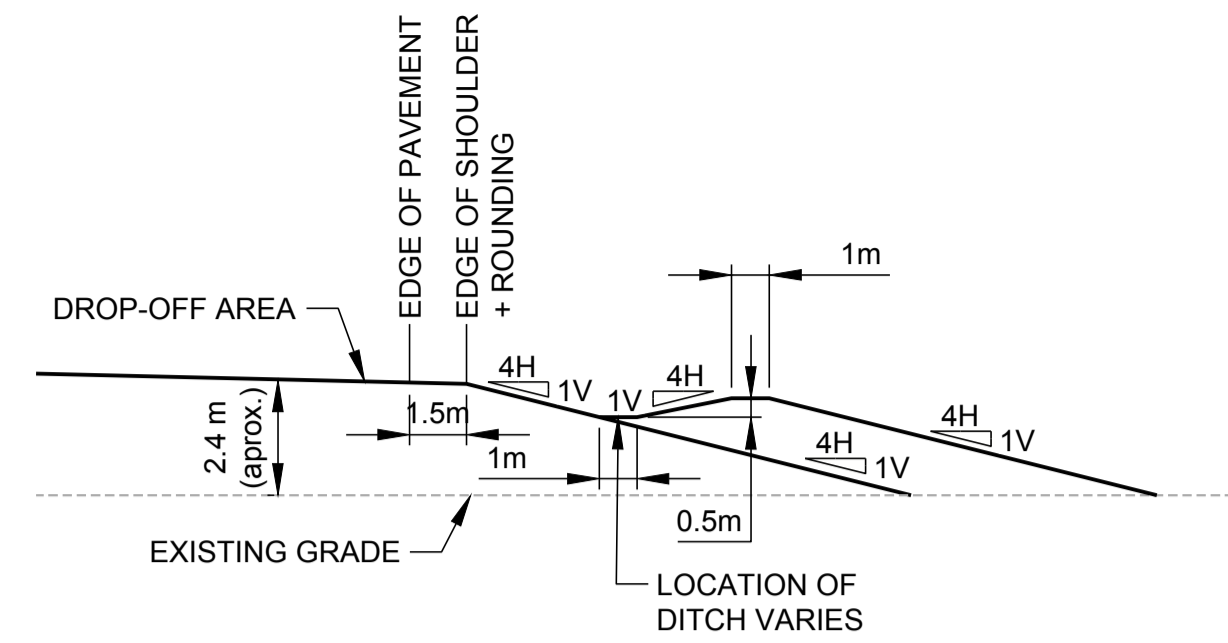


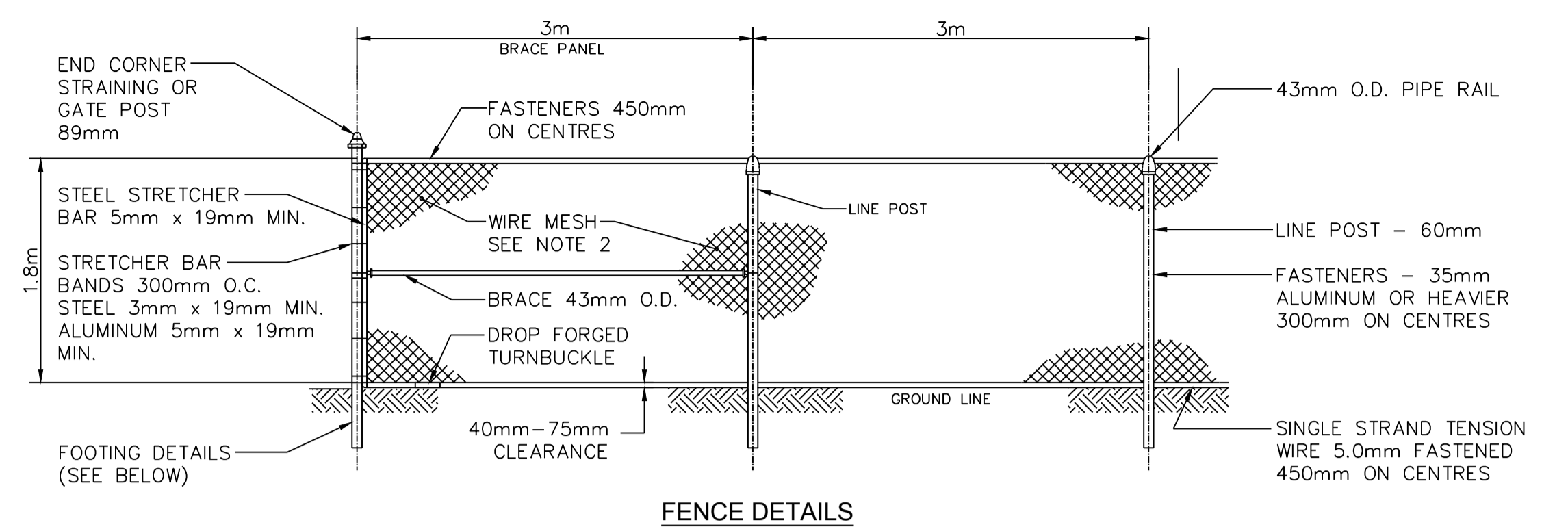
Path: \\golder.com\calcutawa\active\spatial\mmiles_paving\lrcrcc\cadd\1787048\1787048\PROJ\0008_Schem_Ceading_Plan File Name: 1787048-0008-CV-0008.dwg | Last Edited By: mfgogel Date: 2018-12-17 Time: 11:39:38 AM | Printed By: mfgogel Date: 2018-12-17 Time: 11:41:11 AM



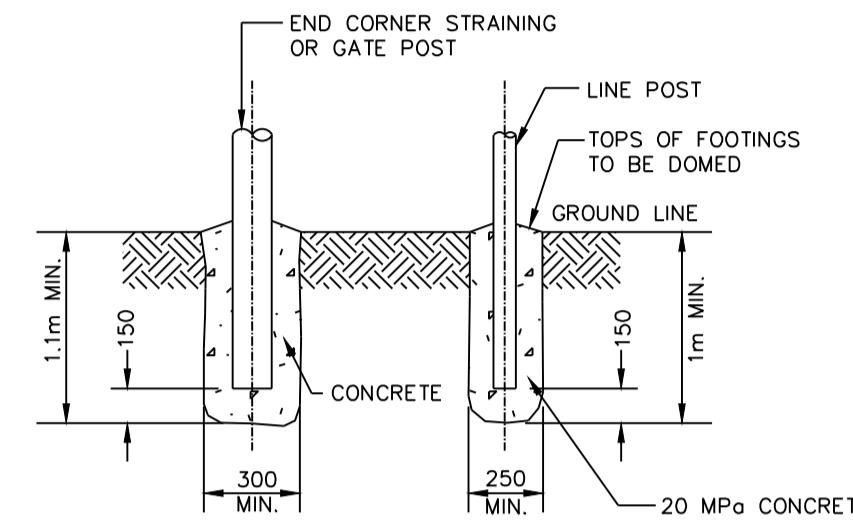
SCALE 1:200 m **D11** TYPICAL GRAVEL ROAD SECTION



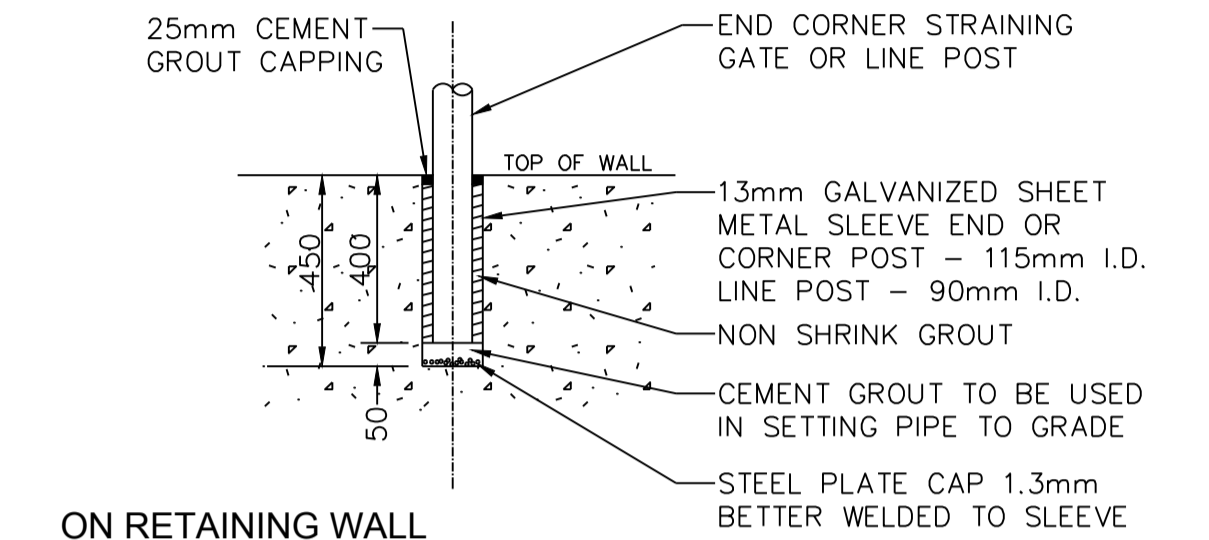
SCALE 1:200 m **D13** TYPICAL PERIMETER DITCH AROUND DROP-OFF AREA



FENCE DETAILS



IN EARTH OR WALKWAY



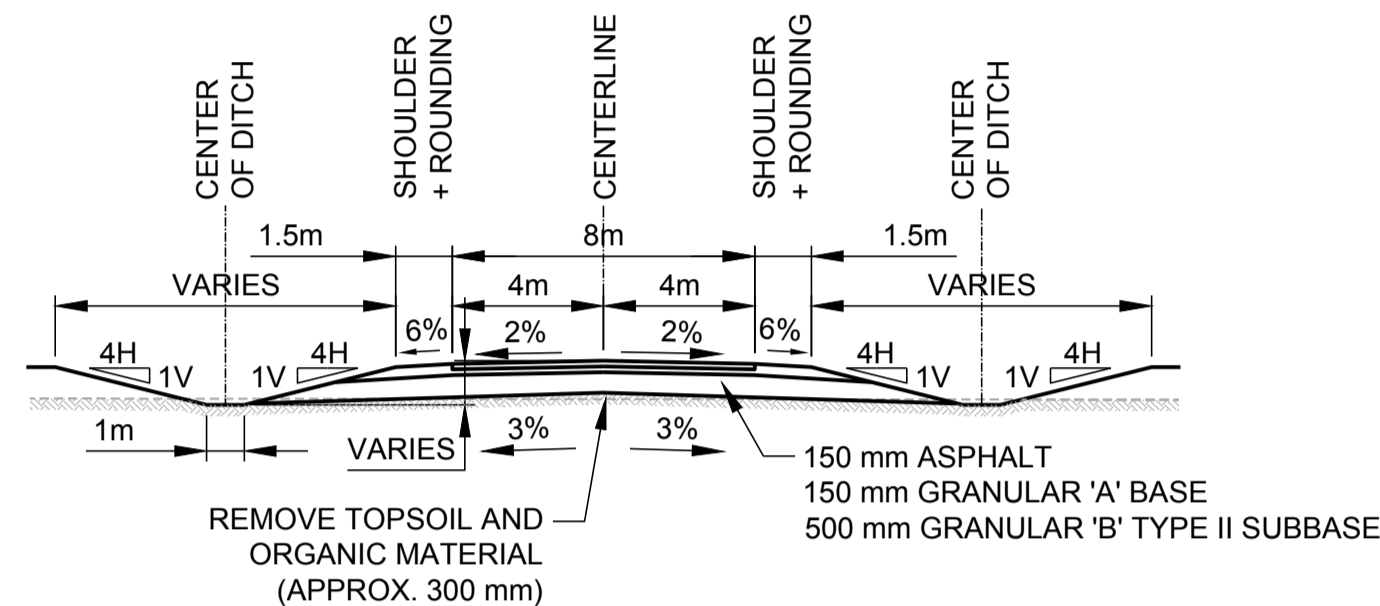
ON RETAINING WALL

NOTES

- FOR FABRIC WIDTH OF 1.8m INSTALL KNUCKLED EDGE AT BOTTOM & BARBED EDGE AT TOP.
- CHAIN LINK FABRIC TO BE BLACK VINYL COATED 3.5mm O.D. WITH 3.2mm GALVANIZED STEEL CORE WOVEN INTO A 38mm MESH. TOP & BOTTOM SALVAGE TO HAVE A KNUCKLED FINISH. TENSIL STRENGTH OF INDIVIDUAL PICKETS TO STAND TEST OF 550 MPa.
- ALL POST RAILS, CONNECTOR & FITTINGS TO BE GALVANIZED & BLACK COATED.

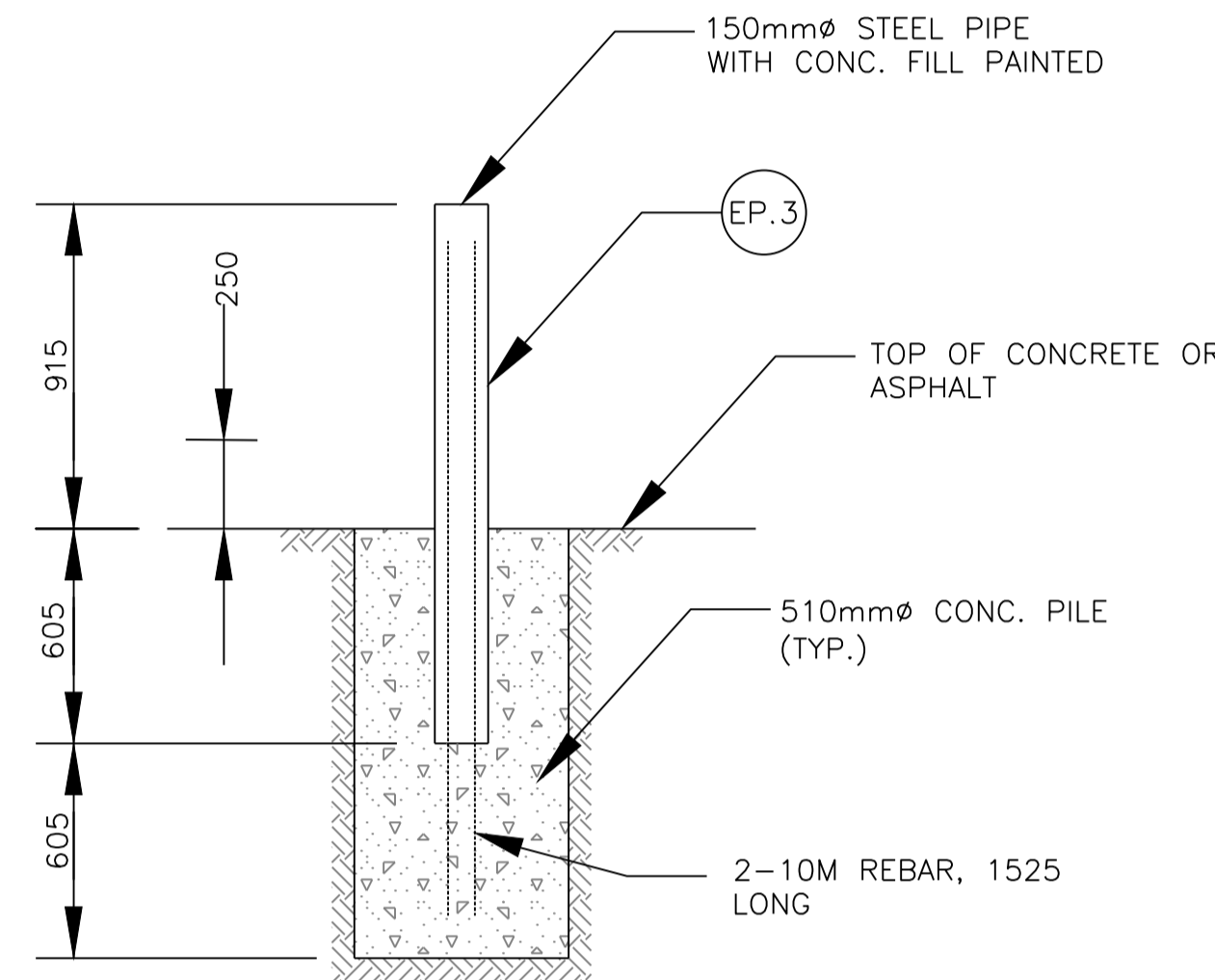
ALL DIMENSIONS IN mm EXCEPT AS NOTED

SCALE NTS **D08** CHAIN LINK SECURITY FENCE

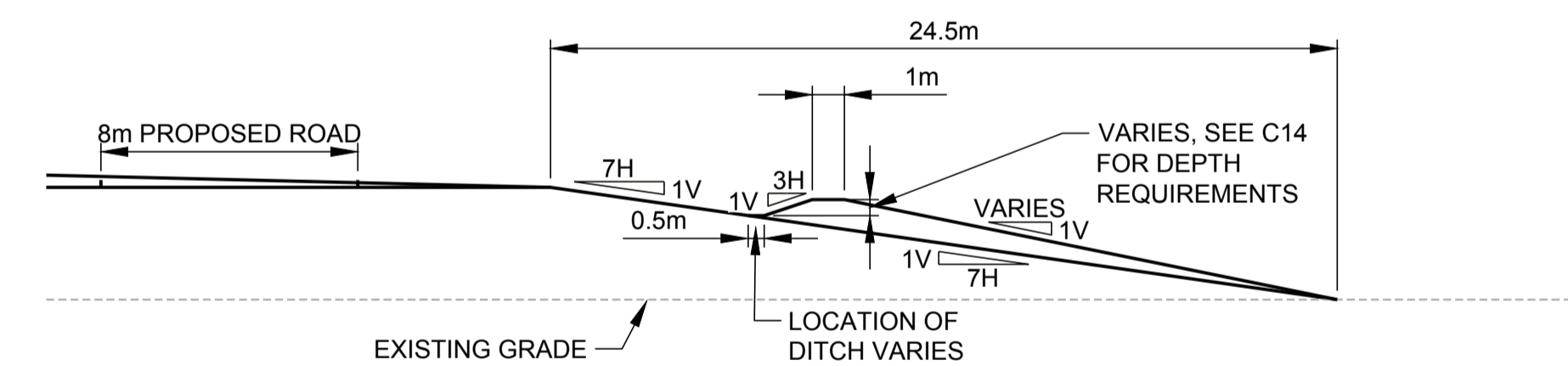
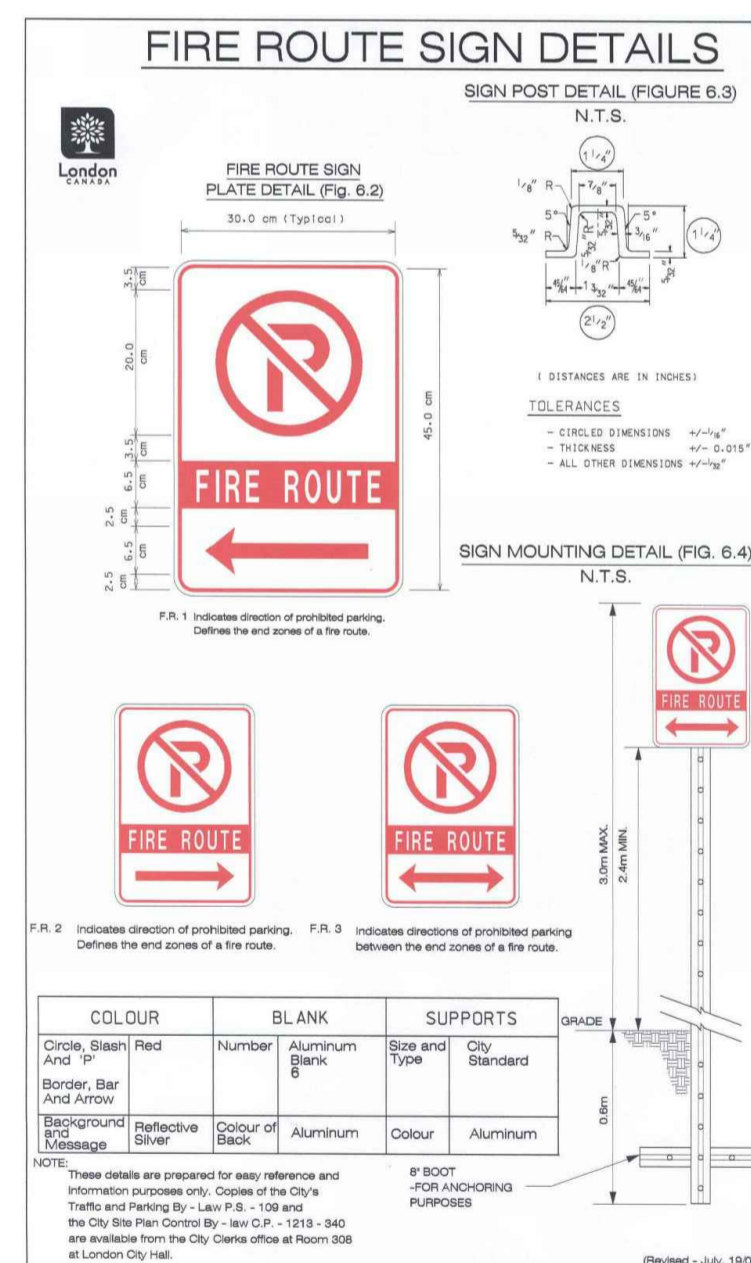


SCALE 1:200 m **D12** TYPICAL HEAVY DUTY ASPHALT ROAD - ACCESS AREA SECTION

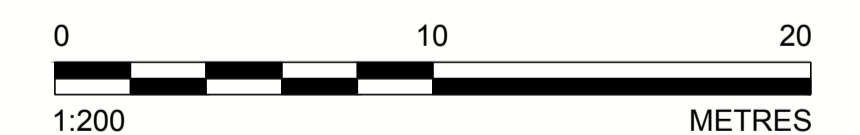
NOTE:
FOR LIGHT DUTY REDUCE ASPHALT TO 50 mm
FOR MEDIUM DUTY REDUCE ASPHALT TO 100 mm.



SCALE NTS **D07** BOLLARD DETAIL



SCALE 1:200 m **D14** TYPICAL PERIMETER DITCH ON PERIMETER BERM



SEAL

CLIENT

TAGGART MILLER ENVIRONMENTAL SERVICES

PROJECT

CAPITAL REGION RESOURCE RECOVERY CENTRE

CONSULTANT



GOLDER ASSOCIATES LTD.
1931 ROBERSON ROAD
OTTAWA, ONTARIO
CANADA
[+1] (613) 592 9600
www.golder.com

TITLE

DETAIL SHEET

PROJECT NO.
1787048

CONTROL
0006

REV. of
2 of

DRAWING
C37

REV.	YYYY-MM-DD	DESCRIPTION	DESIGNED	PREPARED	REVIEWED	APPROVED
2	2018-12-14	REVISED FOR SITE PLAN APPROVAL	MHK	MLF	DVK	DVK
1	2018-06-15	ISSUED FOR SITE PLAN APPROVAL	MHK	MLF	DVK	DVK



IF THIS MEASUREMENT DOES NOT MATCH WHAT IS SHOWN, THE SHEET SIZE HAS BEEN MODIFIED FROM ANSI D