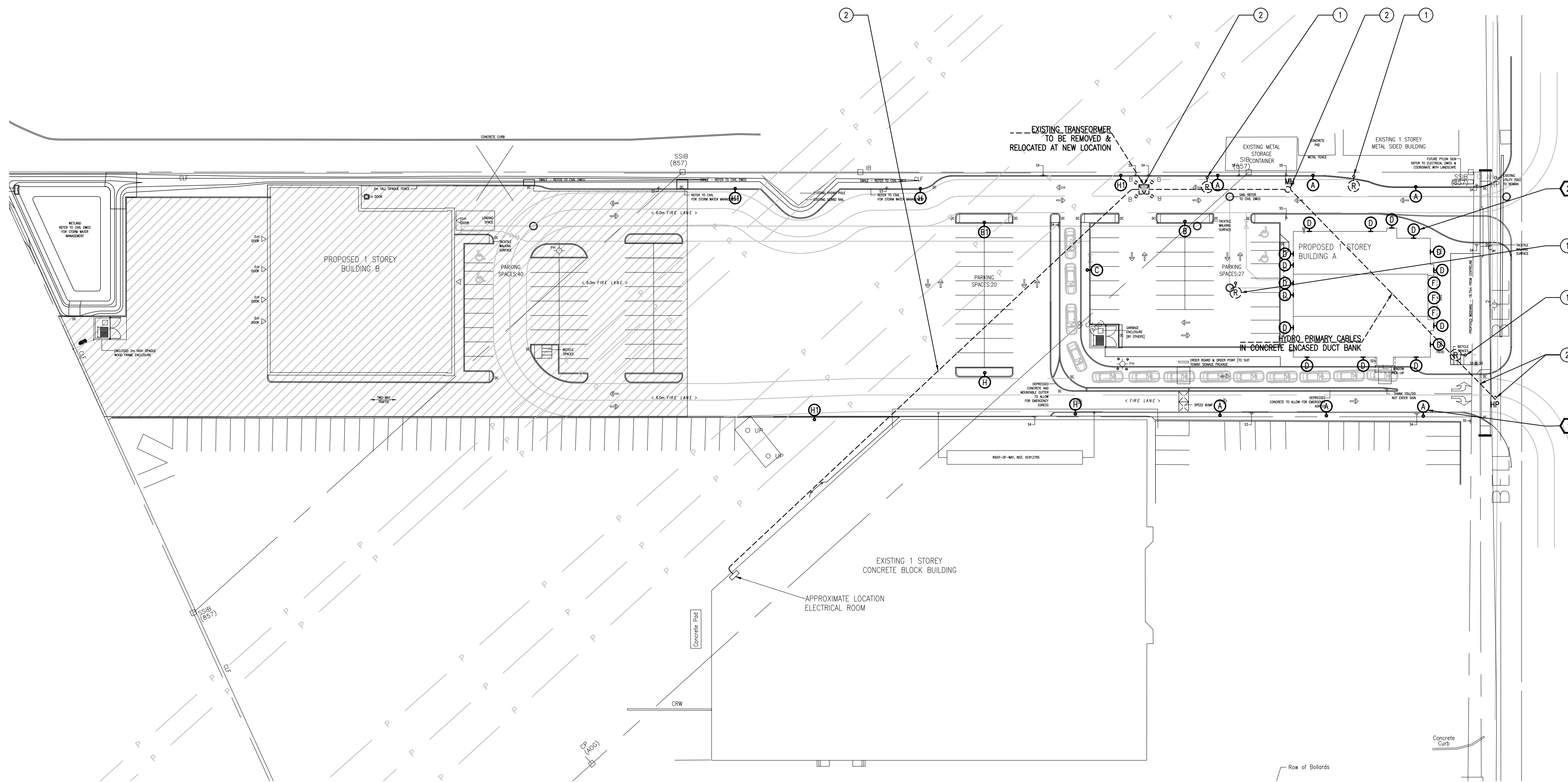


2165 ROBERTSON ROAD, OTTAWA, ON

SITE LIGHTING PLAN ELECTRICAL



1
E1
SITE PLAN
1:500

DEMOLITION WORK NOTES

- ① TYPICAL
REMOVE EXISTING LIGHT POLE C/W LIGHT HEAD, CONDUIT & WIRING BACK TO SOURCE.
- ② DISCONNECT, REMOVE & RELOCATE EXISTING 500KVA/600/347V, 3PHASE PAD MOUNTED TRANSFORMER C/W PRIMARY CABLES, MANHOLE & DUCT BANKS. RELOCATE EXISTING SECONDARY CABLES C/W CONDUITS. COORDINATE WORK WITH OWNERS & HYDRO OTTAWA. HYDRO OTTAWA TO RELOCATE EXISTING UTILITY POLE. COORDINATE FINAL LOCATION WITH OWNER & HYDRO OTTAWA.

NEW WORK NOTES

- ① TYPICAL
PROVIDE NEW POLE MOUNTED LIGHT FIXTURES C/W BASE, POLE, CONDUIT & WIRING. REFER TO DETAIL 2/E1. REFER TO LIGHTING FIXTURES SCHEDULE.
- ② TYPICAL
PROVIDE NEW WALL MOUNTED LIGHT FIXTURE C/W CONDUIT & WIRING. REFER TO LIGHTING FIXTURES SCHEDULE.

Client

DATE	REVISION	REF
2021-03-04	REISSUED FOR SITE PLAN APPLICATION	
2021-02-23	ISSUED FOR COORDINATION	
2018-12-18	ISSUED FOR SITE PLAN APPLICATION	0

THE ENGINEER WAIVES ANY AND ALL RESPONSIBILITY AND LIABILITY FOR PROBLEMS WHICH ARISE FROM FAILURE TO FOLLOW THESE PLANS, SPECIFICATIONS AND THE DESIGN INTENT THEY CONVEY, OR FOR PROBLEMS WHICH ARISE FROM OTHER FAILURE TO OBTAIN AND / OR FOLLOW THE ENGINEER'S GUIDANCE WITH RESPECT TO ANY ERRORS, OMISSIONS, INCONSISTENCIES, AMBIGUITIES OR CONFLICTS WHICH ARE ALLEGED.

THIS DRAWING IS THE PROPERTY OF GOODKEY WEEDMARK & ASSOCIATES LIMITED AND ALL COPYRIGHTS ARE RESERVED. NO USE OF THIS DRAWING MAY BE MADE WITHOUT EXPRESS WRITTEN CONSENT.

DO NOT SCALE DRAWINGS

L'INGÉNIEUR DÉCLINE TOUTE RESPONSABILITÉ DÉCOULANT DE PROBLÈMES FAISANT SUITE AU NON RESPECT DES PLANS, DES ES ET DE L'INTENTION DU CONCEPTEUR. ILS INDIQUENT OU DE TOUTS LES PROBLÈMES POUVAIENT RÉSULTER DU DÉFAUT D'OBTENIR ET / OU DE SUIVRE LES CONSEILS DE L'INGÉNIEUR EN CE QUI CONCERNE LES ERREURS, OMISSIONS, INCONSISTANCES, AMBIGUITÉS OU CONFLITS ALLÉGUÉS.

CE Dessin EST LA PROPRIÉTÉ LITTÉRAIRE DE GOODKEY WEEDMARK & ASSOCIATES LIMITED ET TOUTS LES DROITS SONT RÉSERVÉS. L'UTILISATION EST INTERDITE SANS LE CONSENTEMENT ÉCRIT DE L'AUTEUR.

NE PAS MESURER LES Dessins A L'Échelle

Goodkey Weedmark
Consulting Engineers

GOODKEY WEEDMARK & ASSOCIATES LIMITED
1688 Woodward Dr. Ottawa Ontario Canada K2C 3R8

613 727-5111 Voice
613 727-5115 Fax
www.gweal.com Web

LIGHTING FIXTURE SCHEDULE							
TYPE	DESCRIPTION	CATALOG NUMBER	LAMPS PER FIXTURE			MOUNTING	REMARKS
			TYPE	WATTS	COLOUR		
A	POLE LIGHT FIXTURE #	EATON-MCGROW-EDISON # GPC-AF-01-LED-E1-SL4-1200-HSS #	LED	67	4000K	POLE	PROVIDE 20' HIGH 5" SQUARE STEEL POLE WITH 3" BASE. MOUNTING HEIGHT 20' ABOVE FINISHED GRADE
B	POLE LIGHT FIXTURE #	EATON-MCGROW-EDISON # GPC-AF-02-LED-E1-T4FT #	LED	113	4000K	POLE	PROVIDE 20' 5" SQUARE STEEL POLE WITH 3" BASE. MOUNTING HEIGHT 20' ABOVE FINISHED GRADE
B1	POLE LIGHT FIXTURE #	EATON-MCGROW-EDISON # GPC-AF-02-LED-E1-T4FT #	LED	113	4000K	POLE	PROVIDE 14' 5" SQUARE STEEL POLE WITH 3" BASE. MOUNTING HEIGHT 20' ABOVE FINISHED GRADE
C	POLE LIGHT FIXTURE #	EATON-MCGROW-EDISON # GPC-AF-03-LED-E1-T4FT #	LED	166	4000K	POLE	PROVIDE 25' 5" SQUARE STEEL POLE WITH 3" BASE. MOUNTING HEIGHT 25' ABOVE FINISHED GRADE
D	WALL PACK #	EATON LUMARK # XTOR2B-W	LED	18.2	4000K	WALL	COORDINATE FIXTURE COLOUR SELECTION WITH ARCHITECT/CLIENT. MOUNT FIXTURE ON WALL AT 10' A.F.F.
H	POLE LIGHT FIXTURE #	EATON-MCGROW-EDISON # GPC-AF-01-LED-E1-SL2-HSS	LED	59	4000K	POLE	PROVIDE 20' HIGH 5" SQUARE STEEL POLE WITH 3" BASE. MOUNTING HEIGHT 20' ABOVE FINISHED GRADE
H1	POLE LIGHT FIXTURE #	EATON-MCGROW-EDISON # GPC-AF-01-LED-E1-SL2-HSS	LED	59	4000K	POLE	PROVIDE 14' HIGH 5" SQUARE STEEL POLE WITH 3" BASE. MOUNTING HEIGHT 14' ABOVE FINISHED GRADE
F	CANOPY LIGHT FIXTURE #	EATON-MCGROW-EDISON # TT-D1-740-U-WQ-30L	LED	28	4000K	SURFACE	C/W RECESSED 4" JUNCTION BOX & QUICK MOUNT BRACKET

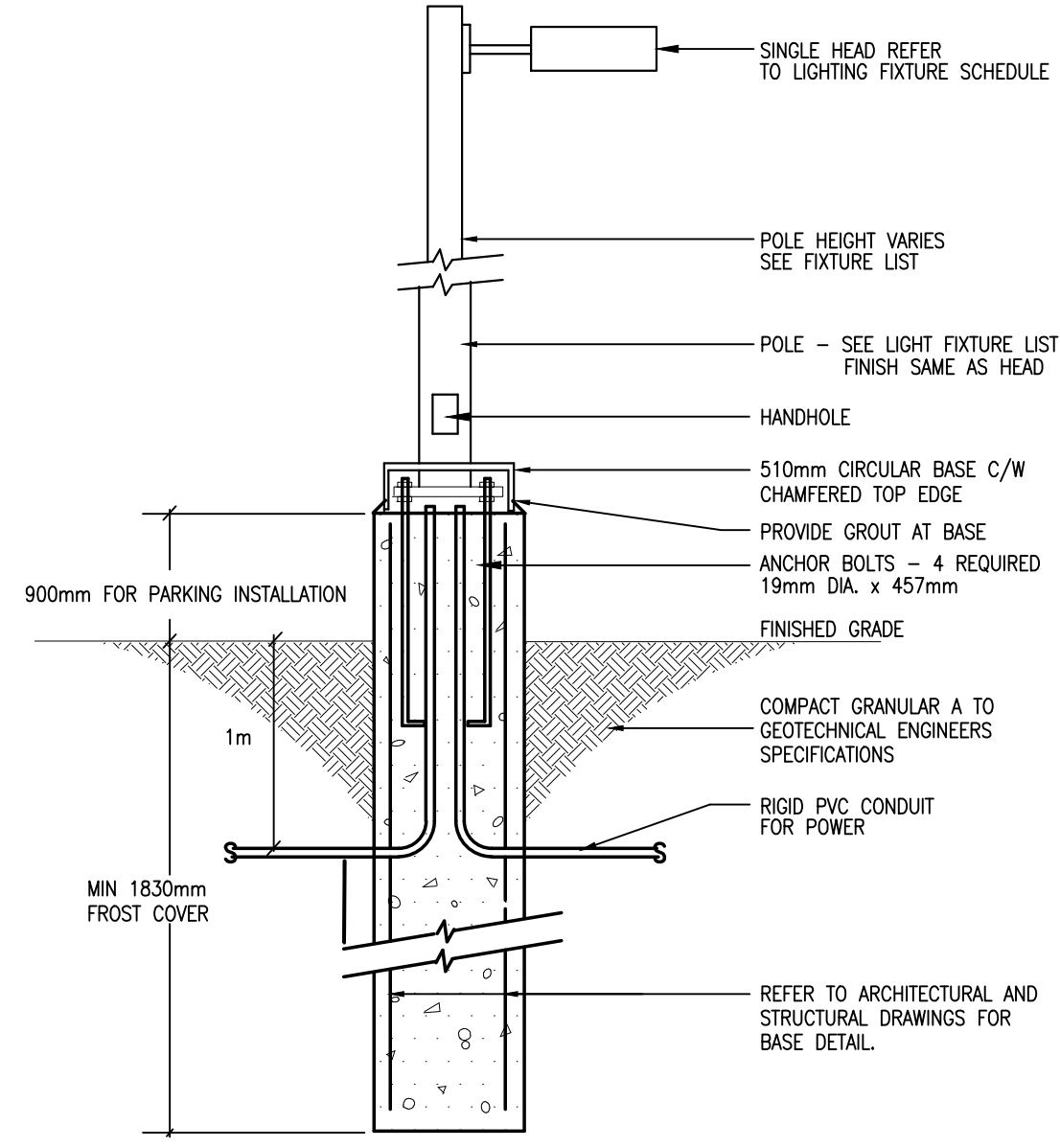
NOTES:
1. PROVIDE ALL LIGHT FIXTURES C/W ALL REQUIRED ACCESSORIES FOR FINAL INSTALLATION.
2. COORDINATE BASE DETAIL WITH ARCHITECTURAL/STRUCTURAL DRAWINGS. CONFIRM LIGHT FIXTURE COLOR FINISH WITH ARCHITECT.
3. ALTERNATE LIGHT FIXTURES EQUAL IN AESTHETICS AND PERFORMANCE ARE ACCEPTABLE AND SHALL BE REVIEWED BY ENGINEER.

DRAWING LEGEND

SYMBOL	DESCRIPTION
Ⓐ	WALL MOUNTED LIGHT FIXTURE - TYPE AS SHOWN
Ⓟ	EXTERIOR POLE MOUNTED LIGHT FIXTURE - TYPE AS SHOWN

ABBREVIATION LIST

ABBREVIATION	DESCRIPTION
E	EXISTING TO REMAIN
R	DISCONNECT AND REMOVE C/W WIRING AND CONDUIT BACK TO SOURCE
ER	EXISTING TO BE REMOVED AND RELOCATED C/W CONDUIT AND WIRING
EN	EXISTING RELOCATED IN NEW LOCATION C/W CONDUIT AND WIRING



2
E1
TYPICAL BASE DETAIL
EXTERIOR LIGHT STANDARD
N.T.S.

Project/north
Nord du projet

Seal/Scieu

PROFESSIONAL ENGINEER
D. B. VYAS
100133120
PROVINCE OF ONTARIO

Project/Projet
ROBERTSON ROAD DEVELOPMENT
2165 ROBERTSON RD.
OTTAWA, ON.

Drawing title/Titre du dessin

ELECTRICAL SITE PLAN

Scale Échelle	AS NOTED 2018-700	Project no./No. du projet 2018-700
Design by Conçu par	J.A.	Drawing/Dessin
Drawn by Dessiné par	J.A.	E1
Reviewed by Examiné par	D.V.	OF 1
Date Date	MARCH 2021	Revision no: 0 Acad file/Fichier: Z:\2018-700

APPLICATION NO. 007-12-18-0205
PLAN # 17864