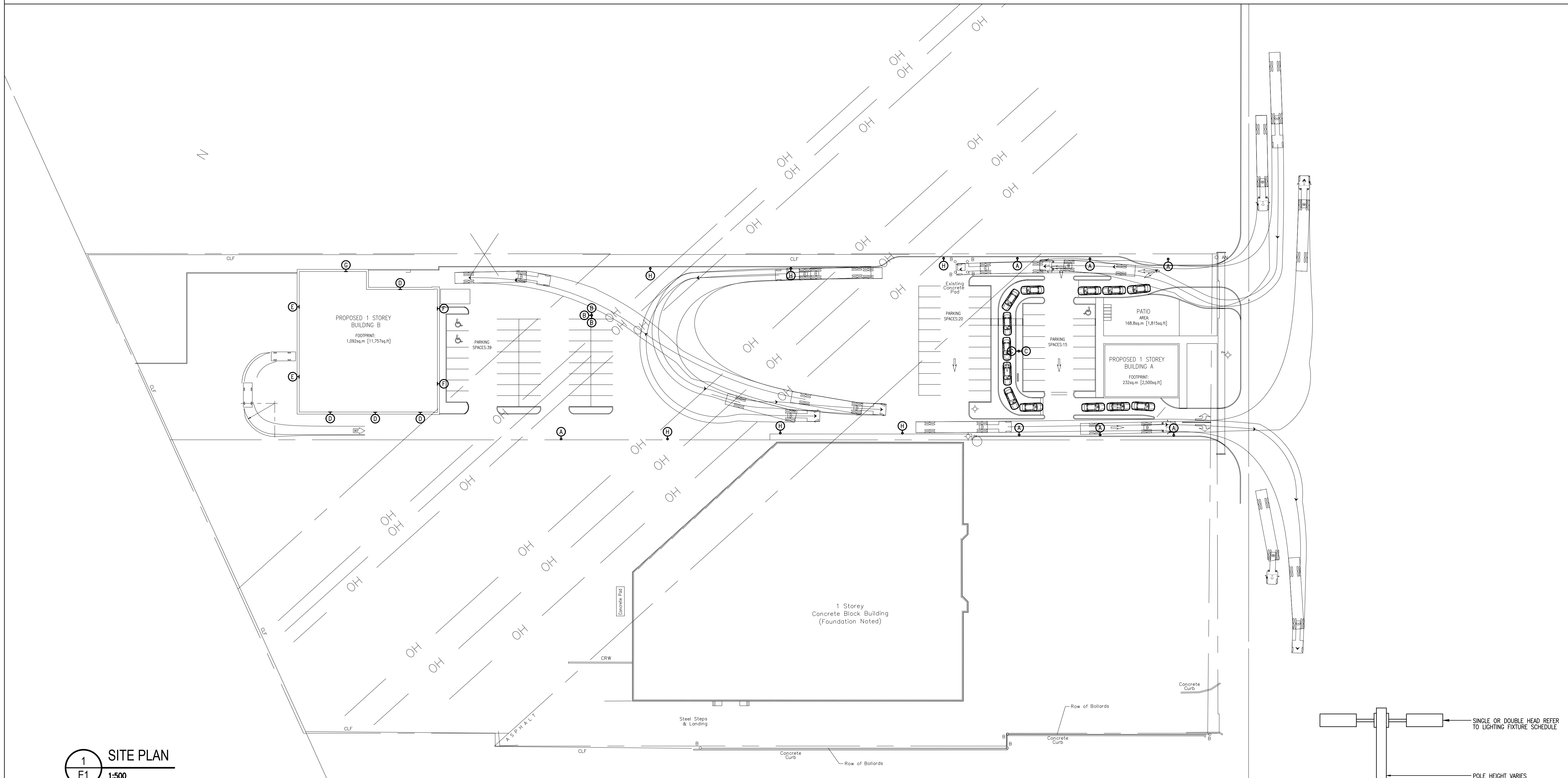


# 2165 ROBERTSON ROAD, OTTAWA, ON

## SITE LIGHTING PLAN

### ELECTRICAL

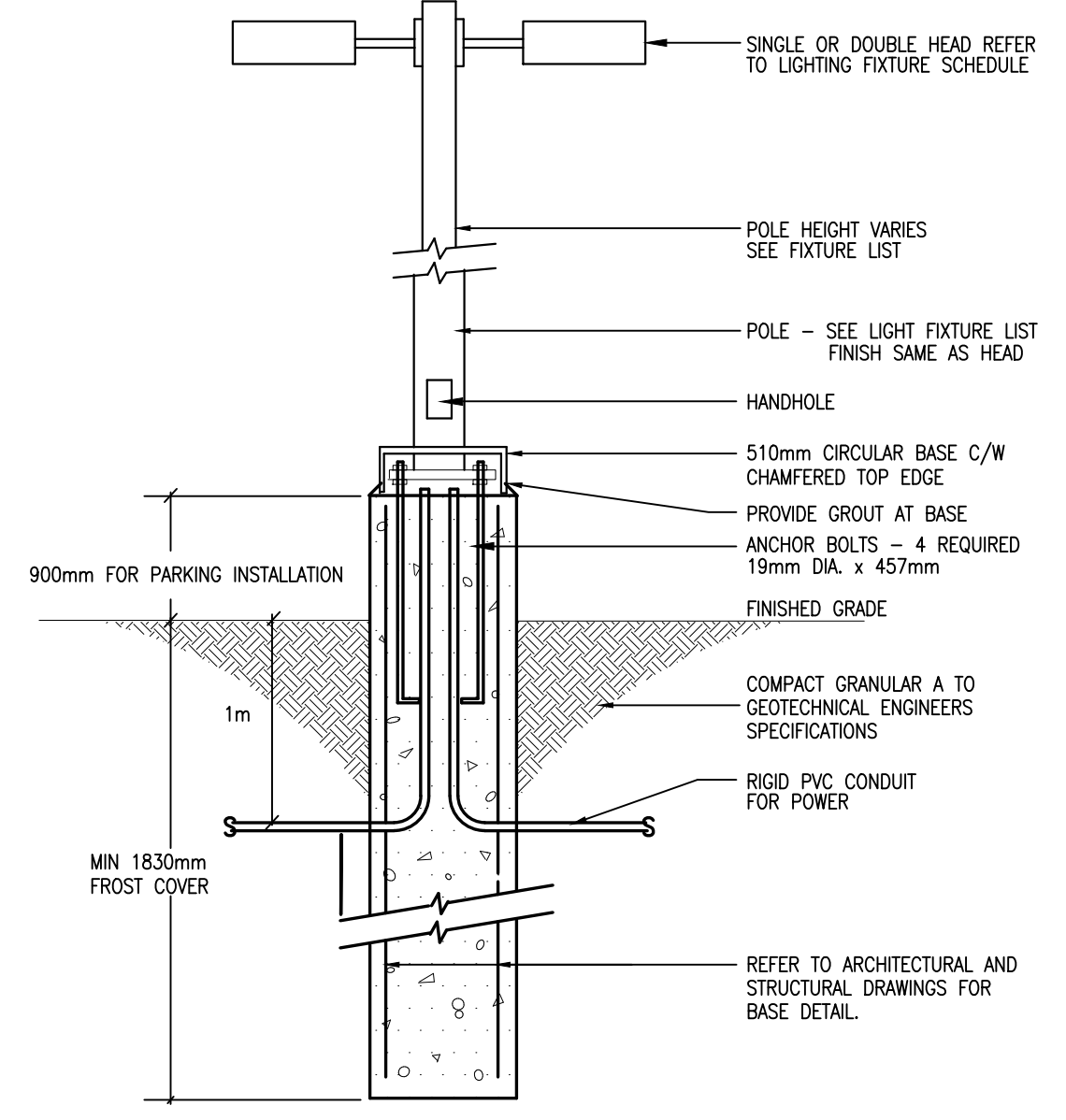


1 SITE PLAN  
E1 1:500

LIGHTING FIXTURE SCHEDULE									
TYPE	DESCRIPTION	CATALOG NUMBER	LAMPS PER FIXTURE				VOLT	MOUNTING	REMARKS
			QTY	TYPE	WATTS	COLOUR			
A	POLE LIGHT FIXTURE #	EATON-MCGROW-EDISON # GPC-AF-01-LED-E1-SL4-1200-HSS #	-	LED	67	4000K	208V	POLE	PROVIDE 13' 5" SQUARE STEEL POLE WITH 3" BASE. MOUNTING HEIGHT 16' ABOVE FINISHED GRADE
B	POLE LIGHT FIXTURE #	EATON-MCGROW-EDISON # GPC-AF-02-LED-E1-14FT #	-	LED	113	4000K	208V	POLE	PROVIDE 13' 5" SQUARE STEEL POLE WITH 3" BASE. MOUNTING HEIGHT 16' ABOVE FINISHED GRADE
C	POLE LIGHT FIXTURE #	EATON-MCGROW-EDISON # GPC-AF-03-LED-E1-14FT #	-	LED	166	4000K	208V	POLE	PROVIDE 22' 5" SQUARE STEEL POLE WITH 3" BASE. MOUNTING HEIGHT 25' ABOVE FINISHED GRADE
D	WALL PACK #	EATON LUMARK # XTOR2B-W	-	LED	18.2	4000K	120V	WALL	COORDINATE FIXTURE COLOUR SELECTION WITH ARCHITECT/CLIENT. MOUNT FIXTURE ON WALL AT 11' A.F.F.
E	WALL PACK #	EATON LUMARK # XTOR12B-W	-	LED	102	4000K	120V	WALL	COORDINATE FIXTURE COLOUR SELECTION WITH ARCHITECT/CLIENT. MOUNT FIXTURE ON WALL AT 17' A.F.F.
F	WALL PACK #	EATON-MCGROW-EDISON # GWC-AF-02-LED-E1-14FT	-	LED	113	4000K	120V	WALL	COORDINATE FIXTURE COLOUR SELECTION WITH ARCHITECT/CLIENT. MOUNT FIXTURE ON WALL AT 17' A.F.F.
G	WALL PACK #	EATON LUMARK # XTOR1B-W-FLD-KNC	-	LED	12.2	4000K	120V	WALL	COORDINATE FIXTURE COLOUR SELECTION WITH ARCHITECT/CLIENT. MOUNT FIXTURE ON WALL AT 11' A.F.F.
H	POLE LIGHT FIXTURE #	EATON-MCGROW-EDISON # GPC-AF-01-LED-E1-SL2-HSS	-	LED	59	4000K	208V	POLE	PROVIDE 13' 5" SQUARE STEEL POLE WITH 3" BASE. MOUNTING HEIGHT 16' ABOVE FINISHED GRADE

NOTES:  
1. PROVIDE ALL LIGHT FIXTURES C/W ALL REQUIRED ACCESSORIES FOR FINAL INSTALLATION.  
2. COORDINATE BASE DETAIL WITH ARCHITECTURAL/STRUCTURAL DRAWINGS.  
3. ALTERNATE LIGHT FIXTURES EQUAL IN AESTHETICS AND PERFORMANCE ARE ACCEPTABLE AND SHALL BE REVIEWED BY ENGINEER.

DRAWING LEGEND	
ⓐ	WALL MOUNTED LIGHT FIXTURE - TYPE AS SHOWN
ⓑ	EXTERIOR POLE MOUNTED LIGHT FIXTURE - TYPE AS SHOWN



2 TYPICAL BASE DETAIL  
EXTERIOR LIGHT STANDARD  
E1 N.T.S.

Client

DATE	REVISION	REF
2018-12-18	ISSUED FOR SITE PLAN APPLICATION	0

THE ENGINEER WAIVES ANY AND ALL RESPONSIBILITY AND LIABILITY FOR PROBLEMS WHICH ARISE FROM FAILURE TO FOLLOW THESE PLANS, SPECIFICATIONS AND THE DESIGN INTENT THEY CONVEY, OR FOR PROBLEMS WHICH ARISE FROM OTHER FAILURE TO OBTAIN AND / OR FOLLOW THE ENGINEER'S GUIDANCE WITH RESPECT TO ANY ERRORS, OMISSIONS, INCONSISTENCIES, AMBIGUITIES OR CONFLICTS WHICH ARE ALLEGED.  
THIS DRAWING IS THE PROPERTY OF GOODKEY WEEDMARK & ASSOCIATES LIMITED AND ALL COPYRIGHTS ARE RESERVED. NO USE OF THIS DRAWING MAY BE MADE WITHOUT EXPRESS WRITTEN CONSENT.  
DO NOT SCALE DRAWINGS.  
L'INGENIEUR DECLINE TOUTE RESPONSABILITE DECULANT DE PROBLEMES FASANT SUITE AU NON RESPECT DES PLANS, DEVS ET DE L'INTENTION DU CONCEPT QUI LIS INDIQUENT OU DE TOUTS LES PROBLEMES POUVANT RESULTER DU DEFAUT D'OBTENIR ET / OU DE SUIVRE LES CONSEILS DE L'INGENIEUR EN CE QUI CONCERNE LES ERREURS, OMISSIONS, INCONSISTANCES, AMBIGUITES OU CONFLITS ALLEGUES.  
CE DESSIN EST LA PROPRIETE LITERAIRE DE GOODKEY WEEDMARK & ASSOCIATES LIMITED ET TOUTS LES DROITS SONT RESERVES. L'UTILISATION EST INTERDITE SANS LE CONSENTEMENT ECRIT DE L'AUTEUR.  
NE PAS MESURER LES DESSINS A L'ECHELLE

**Goodkey Weedmark**  
Consulting Engineers

GOODKEY WEEDMARK & ASSOCIATES LIMITED  
1688 Woodward Dr. Ottawa Ontario Canada K2C 3R8  
613 727-5111 Voice  
613 727-5115 Fax  
www.gwae.com Web

Project/Projet: 2165 ROBERTSON RD. OTTAWA, ON.  
Seal/Scell:

Project/Projet: 2165 ROBERTSON ROAD DEVELOPMENT  
2165 ROBERTSON RD.  
OTTAWA, ON.

Drawing title/Titre du dessin: ELECTRICAL SITE PLAN

Scale/Echelle: AS NOTED	Project no./No. du projet: 2018-700
Design by/Conçu par: M.E.	Drawing/Desin: E1
Drawn by/Dessiné par: M.E./J.A.	OF 1
Reviewed by/Examiné par: D.V.	Revision no./Acad file/Fichier: 0 Z:\2018-700
Date: DECEMBER 2018	Date: 0