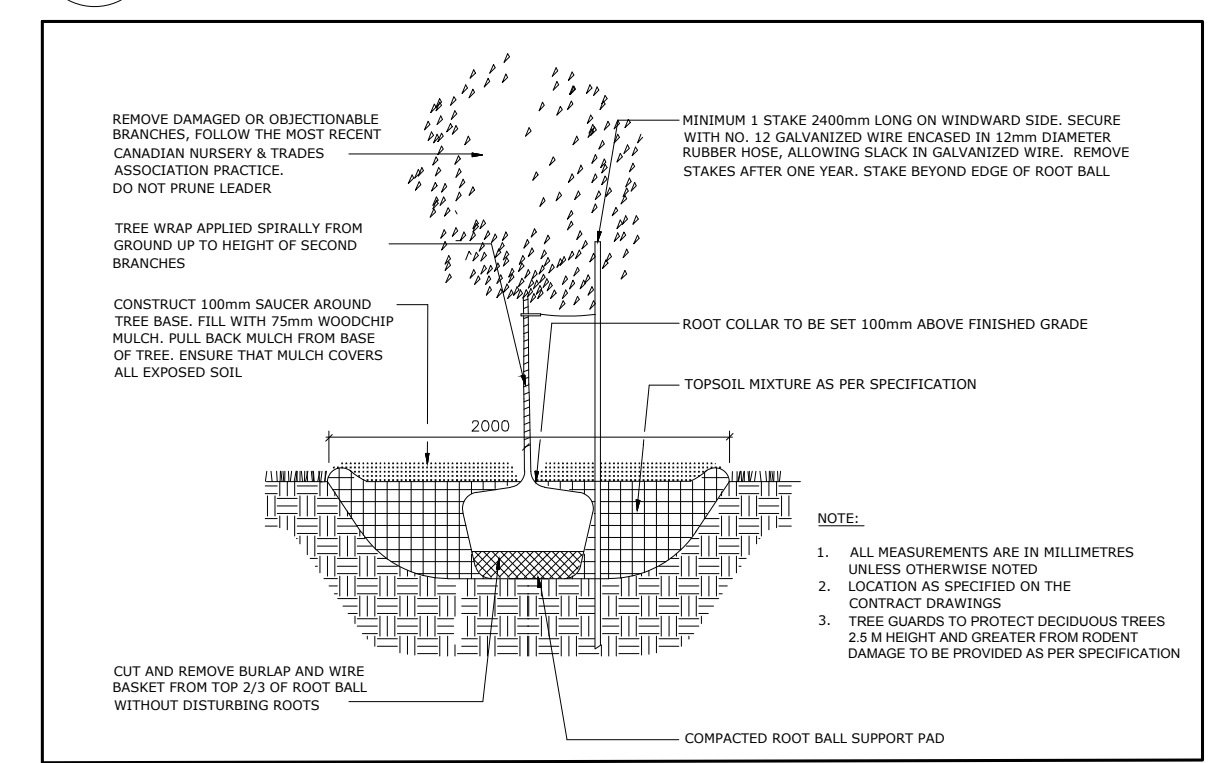
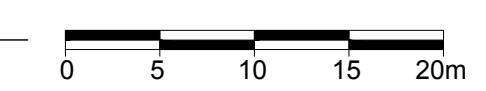
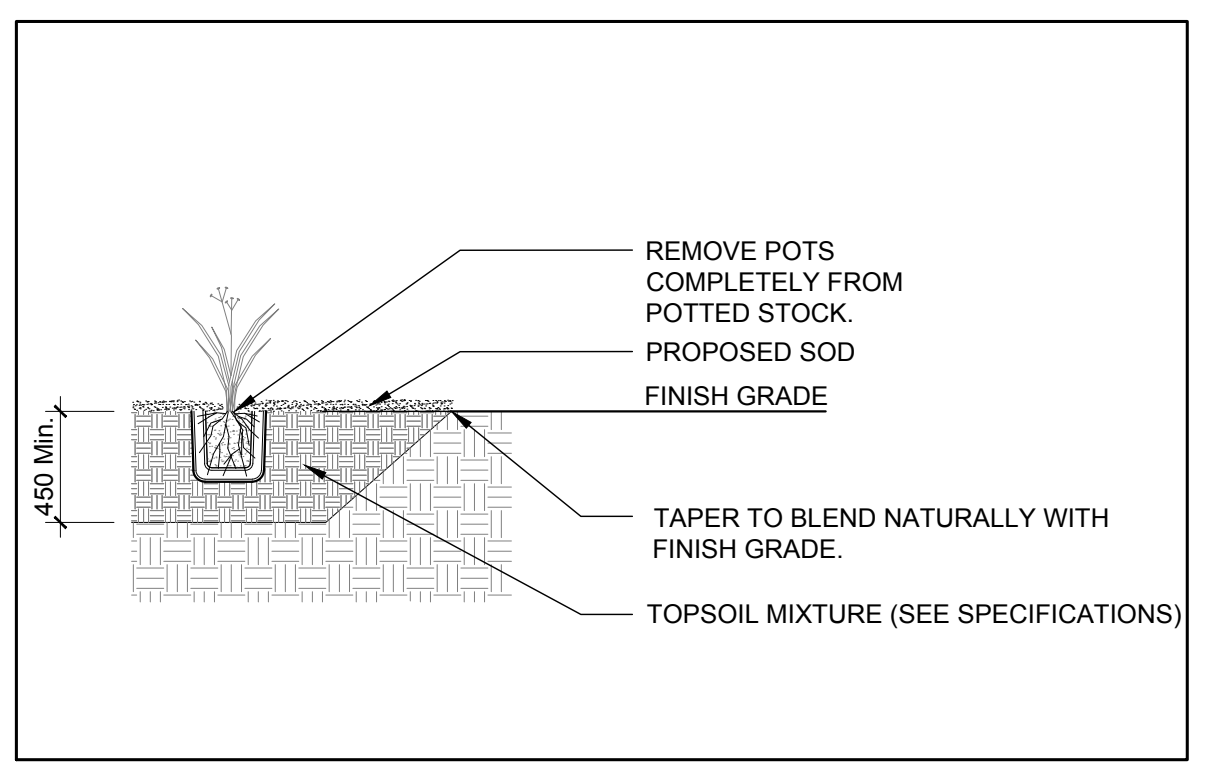


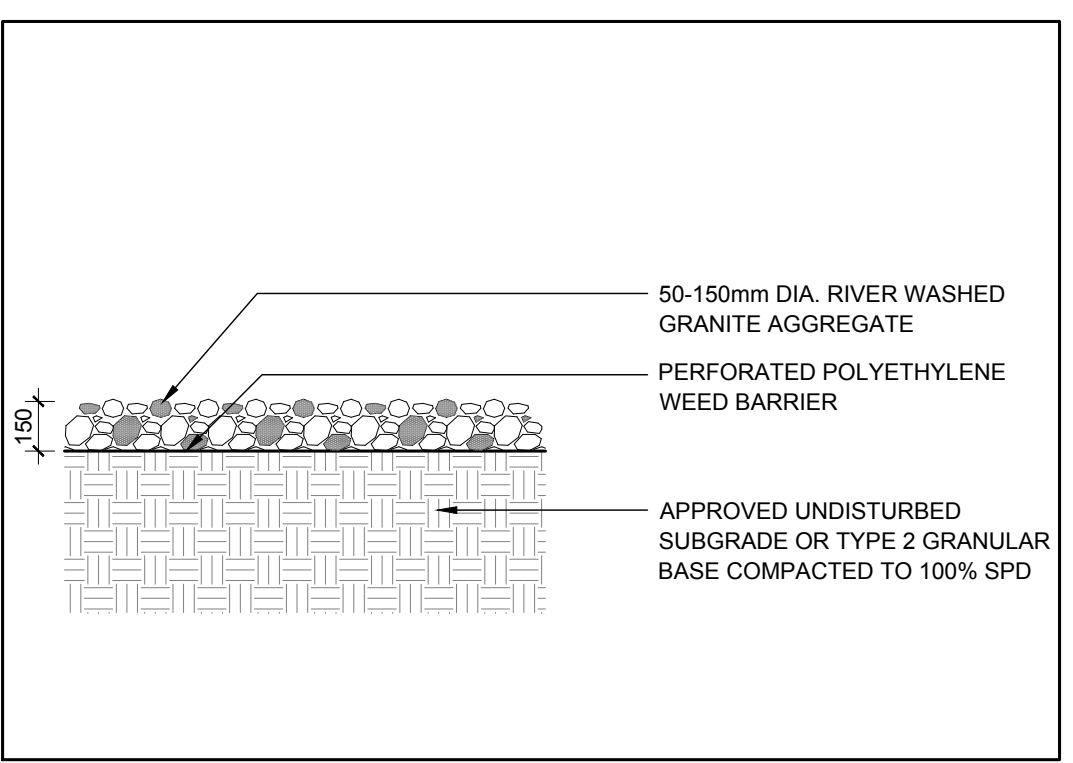
1 TREE CONSERVATION REPORT & LANDSCAPE PLAN
SCALE: 1:400



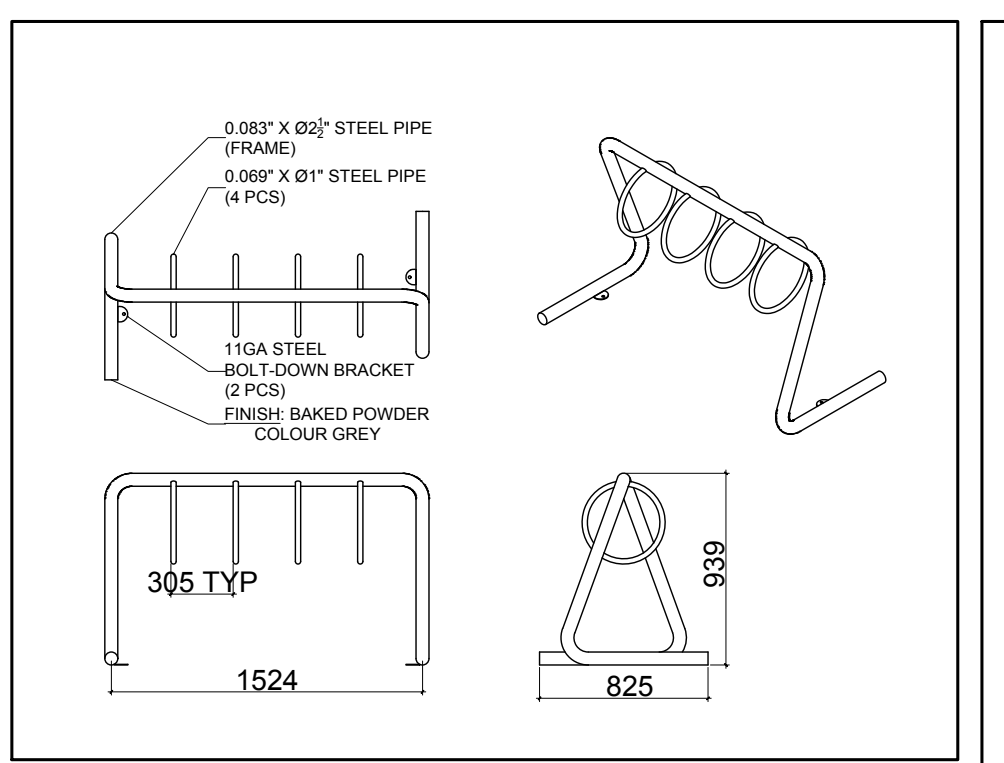
2 DECIDUOUS TREE PLANTING
SCALE: NTS



3 ORNAMENTAL GRASS PLANTING
SCALE: NTS



4 PROPOSED RIVERSTONE MULCH
SCALE: NTS



5 PROPOSED 4 RING HAUSER BIKE RACK
SCALE: NTS

LEGEND

- EXISTING TREE TO REMAIN
- EXISTING TREE TO BE REMOVED
- GROUP OF EXISTING TREES TO BE REMOVED
- PROPOSED ORNAMENTAL GRASSES
- PROPOSED DECIDUOUS TREE
- PROPOSED RIVERSTONE MULCH
- PROPOSED SOD
- PROPOSED GRASS SEED MIXTURE
- PROPOSED WETLAND SEED MIXTURE
- PROPOSED SAWCUT CONCRETE
- PROPOSED PRECAST CONCRETE PAVERS

GENERAL NOTES:

- It is the responsibility of the appropriate contractor or official to report any errors, omissions or discrepancies on this plan with actual site conditions to the Landscape Architect before proceeding with construction.
- The contractor is to notify all utility companies and authorities prior to any excavation and ascertain locations of underground services.
- The contractor is to reinstate all areas and items damaged as a result of construction activity.
- The contractor is to comply with all pertinent codes and by-laws.
- The contractor is to maintain a positive surface run-off throughout the entire construction period.
- The Landscape Architect is not responsible for subsurface conditions.
- The contractor is to identify all existing trees to remain on site with the Landscape Architect prior to construction.
- The contractor is to stake the proposed location of all plant material in conjunction with the Landscape Architect prior to excavation.
- Minimum distances for selected deciduous trees are as follows:
 - Building Foundations 7.5m
 - Sidewalks 1.5m
 - Public Streets 2.5m
 - Underground Infrastructure 2.0m
- All trees within 1m of underground utility trenches are to be excavated by hand.
- Remove all protective wrapping from tree trunks after installation.
- Staking of trees shall only be performed if necessary.
- Ensure that mulch is pulled back a min. distance of 75mm from base of tree trunk.

PROPOSED PLANT LIST

| KEY | QTY | BOTANICAL NAME | COMMON NAME | SIZE | CONDITION | REMARKS |
|---------------------------|-----|--------------------------------------|-------------------------|-----------|-----------|-------------------|
| TREES | | | | | | |
| JL | 2 | <i>Syringa reticulata</i> | Japanese Tree Lilac | 60mm ø | B&B | Single Leader |
| ORNAMENTAL GRASSES | | | | | | |
| KF | 87 | <i>Calamagrostis 'Karl Foerster'</i> | Karl Foerster Grass | 250mm pot | Potted | Space 800 mm o.c. |
| SG | 56 | <i>Panicum virgatum 'Shenandoah'</i> | Shenandoah Switch Grass | 250mm pot | Potted | Space 800 mm o.c. |

EXISTING TREE LIST

| KEY | QTY | BOTANICAL NAME | COMMON NAME | SIZE | CONDITION | REMARKS |
|--------------|-----|-------------------------------|------------------|---------------|-----------|----------|
| TREES | | | | | | |
| AN | 1 | <i>Acer negundo</i> | Manitoba Maple | 50-200mm DBH | Good | See Plan |
| EA | 1 | <i>Elaeagnus angustifolia</i> | Russian Olive | 100-200mm DBH | Dead-Good | See Plan |
| PG | 1 | <i>Picea pungens 'Glauca'</i> | Blue Spruce | 250mm DBH | Good | See Plan |
| PD | 1 | <i>Populus grandidentata</i> | Largetooth Aspen | 100-250mm DBH | Good | See Plan |
| PP | 1 | <i>Picea pungens</i> | Colorado Spruce | 200mm DBH | Good | See Plan |
| PT | 1 | <i>Populus tremuloides</i> | Trembling Aspen | 100-250mm DBH | Good | See Plan |
| RC | 1 | <i>Rhamnus cathartica</i> | Common Buckthorn | 50-100mm DBH | Good | See Plan |
| RT | 1 | <i>Rhus typhina</i> | Staghorn Sumac | 50-100mm DBH | Good | See Plan |
| UA | 1 | <i>Ulmus americana</i> | American Elm | 100-250mm DBH | Poor-Good | See Plan |
| UP | 3 | <i>Ulmus parvifolia</i> | Chinese Elm | 250-300mm DBH | Good | See Plan |

*DENOTES NUMEROUS

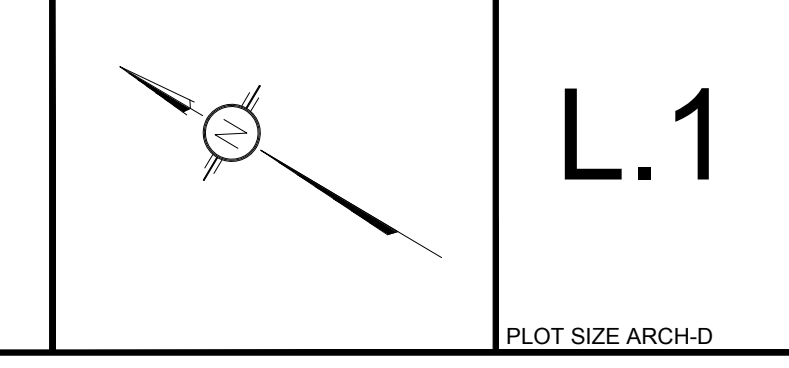
| No. | Issue | Date | DR | CK |
|-----|----------------------------------|------------|----|----|
| 5 | REVISED PER CITY COMMENTS | 03/02/2021 | ML | JL |
| 4 | REVISED PER NEW CIVIL DRAWING | 02/26/2021 | ML | JL |
| 3 | REVISED PER NEW SITE PLAN | 02/09/2021 | ML | JL |
| 2 | REVISED PER CITY COMMENTS | 12/15/2020 | ML | JL |
| 1 | ISSUED FOR SITE PLAN APPLICATION | 12/21/2018 | ML | JL |

JAMES B. LENNOX & ASSOCIATES INC.
LANDSCAPE ARCHITECTS
3332 CARLING AVE. OTTAWA, ONTARIO K2H 5A8
Tel: (613) 722-5168 Fax: (866) 343-3942

PROJECT: **ROBERTSON RD. DEVELOPMENT**
2165 ROBERTSON ROAD, OTTAWA ON

DRAWING: **TREE CONSERVATION REPORT & LANDSCAPE PLAN**

| | |
|--|---------------------------|
| | SCALE: AS SHOWN |
| | START DATE: NOVEMBER 2018 |
| | PROJECT NO.: 19HUNT1908 |
| | DRAWING NO.: L.1 |



D07-12-18-0205