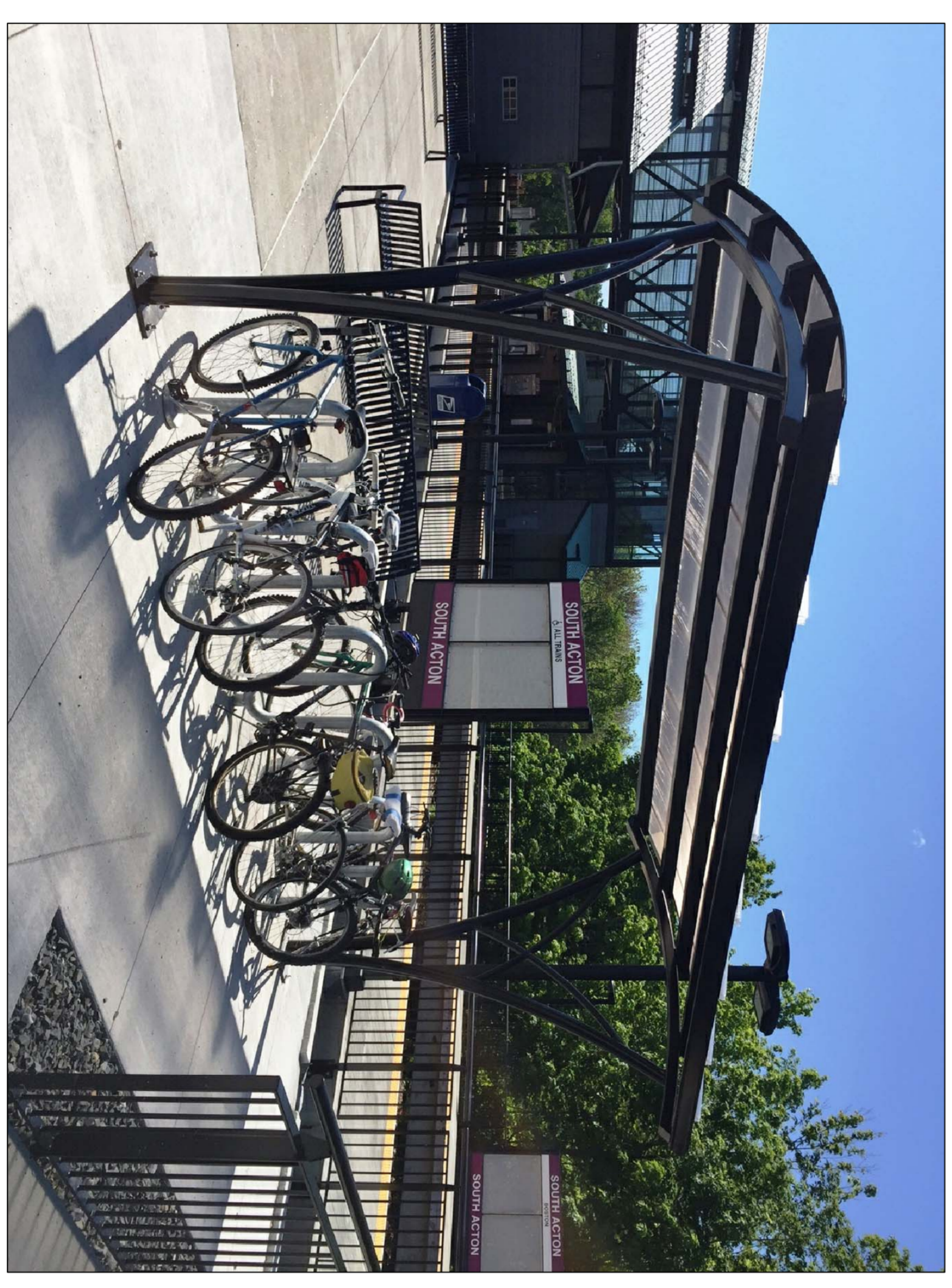
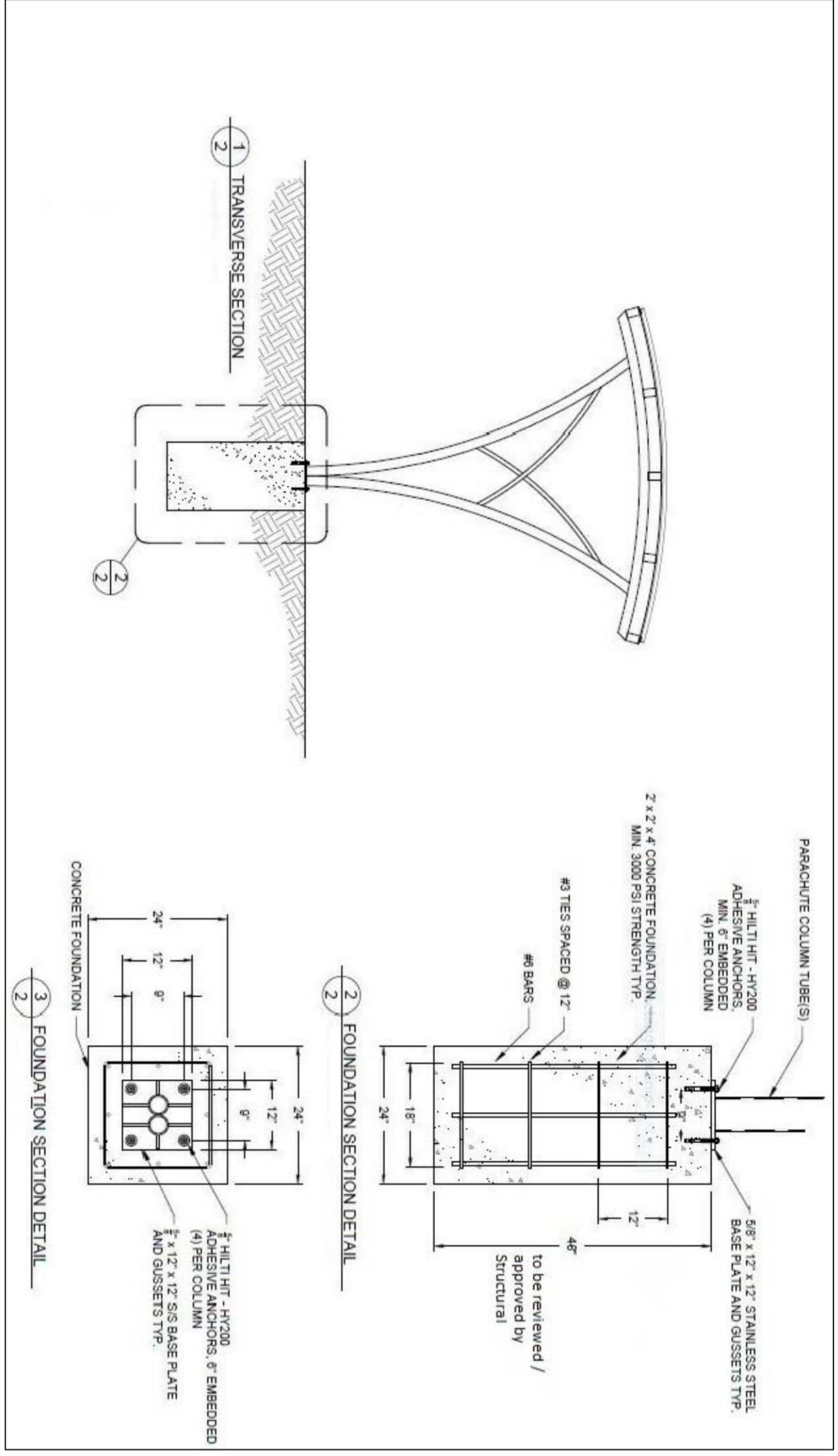
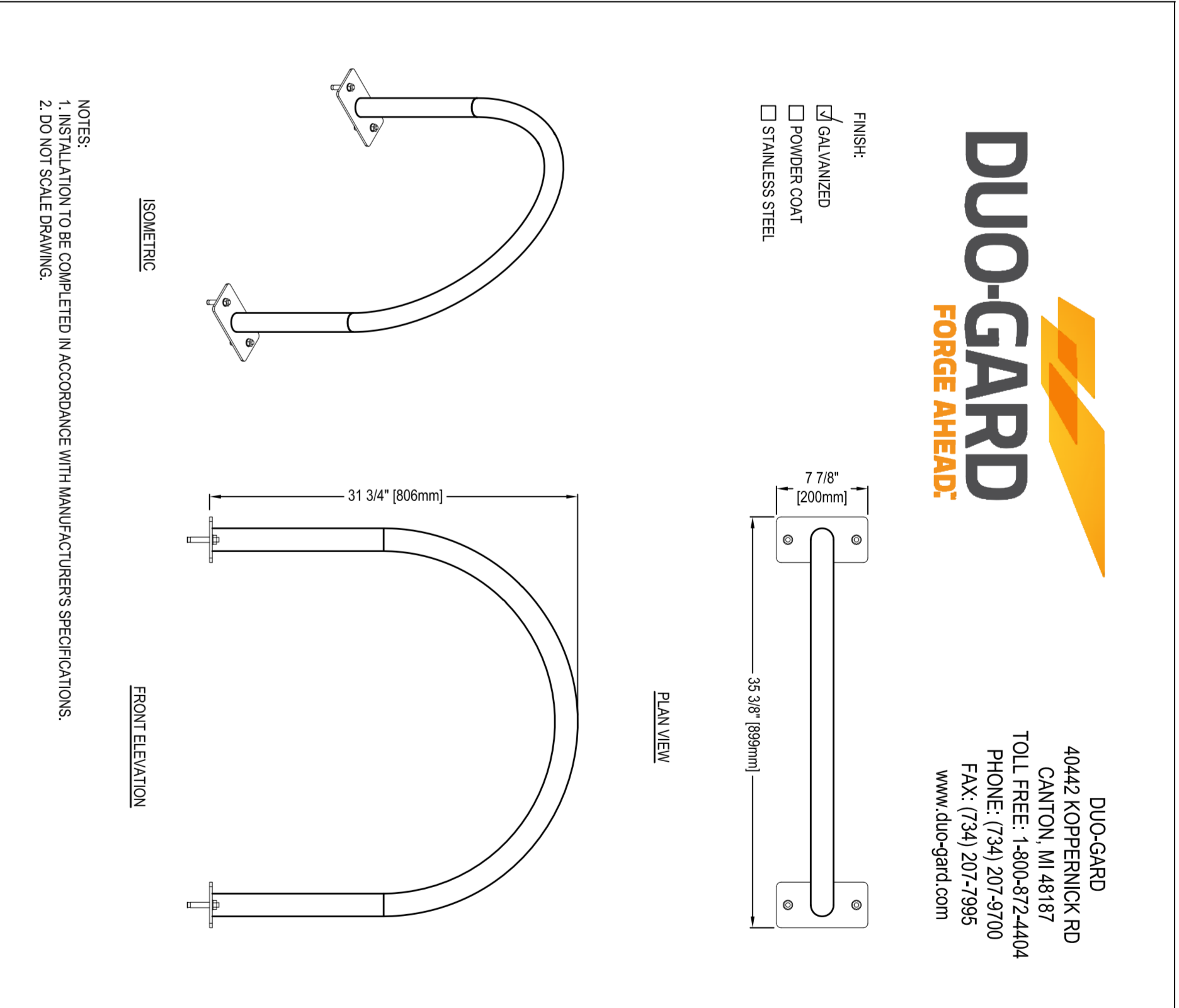


- 9' X 19' "PARACHUTE" BICYCLE SHELTER**
- DUO-GARD**  
FORCE AHEAD
- NOTES:**
- Framework to be welded and mechanically fastened steel
  - All mechanical connections to be made with concealed fasteners
  - Rafter and purlin shall be beveled, then capped, welded and ground smooth prior to finishing
  - Base anchor plates shall be stainless steel, grade 304, finished to match shelter
  - Roof glazing to be 8MM structural polycarbonate - battin system
  - See section 10 72 43 for detailed written specifications
  - Design is preliminary, conceptual, and subject to change based on final engineering phase.

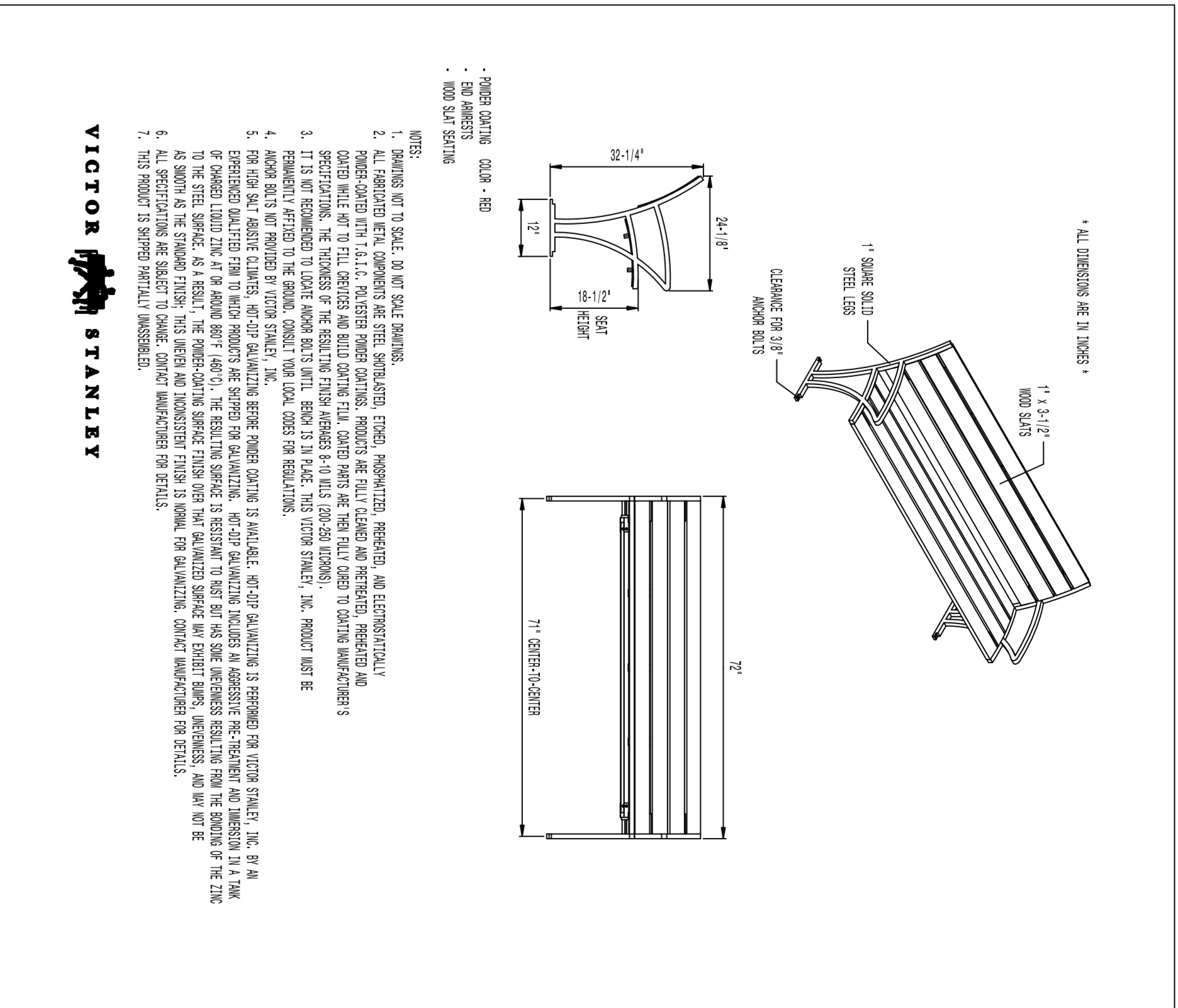


1  
1207 BICYCLE SHELTER NTS



- NOTES:**
1. INSTALLATION TO BE COMPLETED IN ACCORDANCE WITH MANUFACTURERS SPECIFICATIONS.
  2. 200707 SINKER DRAWING.

2  
1207 BICYCLE RACK NTS



- NOTES:**
1. FINISH TO MATCH EXISTING SURROUNDING STRUCTURE, MATERIALS AND FINISHES.
  2. FINISH TO MATCH EXISTING SURROUNDING STRUCTURE, MATERIALS AND FINISHES.
  3. FINISH TO MATCH EXISTING SURROUNDING STRUCTURE, MATERIALS AND FINISHES.
  4. FINISH TO MATCH EXISTING SURROUNDING STRUCTURE, MATERIALS AND FINISHES.
  5. FINISH TO MATCH EXISTING SURROUNDING STRUCTURE, MATERIALS AND FINISHES.
  6. FINISH TO MATCH EXISTING SURROUNDING STRUCTURE, MATERIALS AND FINISHES.
  7. FINISH TO MATCH EXISTING SURROUNDING STRUCTURE, MATERIALS AND FINISHES.
  8. FINISH TO MATCH EXISTING SURROUNDING STRUCTURE, MATERIALS AND FINISHES.
  9. FINISH TO MATCH EXISTING SURROUNDING STRUCTURE, MATERIALS AND FINISHES.
  10. FINISH TO MATCH EXISTING SURROUNDING STRUCTURE, MATERIALS AND FINISHES.
  11. FINISH TO MATCH EXISTING SURROUNDING STRUCTURE, MATERIALS AND FINISHES.
  12. FINISH TO MATCH EXISTING SURROUNDING STRUCTURE, MATERIALS AND FINISHES.
  13. FINISH TO MATCH EXISTING SURROUNDING STRUCTURE, MATERIALS AND FINISHES.
  14. FINISH TO MATCH EXISTING SURROUNDING STRUCTURE, MATERIALS AND FINISHES.
  15. FINISH TO MATCH EXISTING SURROUNDING STRUCTURE, MATERIALS AND FINISHES.
  16. FINISH TO MATCH EXISTING SURROUNDING STRUCTURE, MATERIALS AND FINISHES.
  17. FINISH TO MATCH EXISTING SURROUNDING STRUCTURE, MATERIALS AND FINISHES.
  18. FINISH TO MATCH EXISTING SURROUNDING STRUCTURE, MATERIALS AND FINISHES.
  19. FINISH TO MATCH EXISTING SURROUNDING STRUCTURE, MATERIALS AND FINISHES.
  20. FINISH TO MATCH EXISTING SURROUNDING STRUCTURE, MATERIALS AND FINISHES.

3  
1207 BENCH NTS

NOT FOR CONSTRUCTION

NO.	DATE	DESCRIPTION	BY	CHKD
1	12/07/19	ISSUE FOR CONSTRUCTION	MB	MB
2	12/07/19	ISSUE FOR CONSTRUCTION	MB	MB
3	12/07/19	ISSUE FOR CONSTRUCTION	MB	MB

**LEVSTEK CONSULTANT**

1207 BICYCLE SHELTER

1161

1300

1201

17988