

OTTAWA-CARLETON DISTRICT SCHOOL BOARD

ISSUE NO.	REV. NO.	DATE	ISSUE
2	0	2019/12/09	ISSUED FOR SITE PLAN CONTROL COMMENTS 01
1	0	2019/07/25	ISSUED FOR SITE PLAN CONTROL

THE ENGINEER WAIVES ANY AND ALL RESPONSIBILITY AND LIABILITY FOR PROBLEMS WHICH ARISE FROM FAILURE TO FOLLOW THESE PLANS, SPECIFICATIONS AND THE DESIGN INTENT THEY CONVEY, OR FOR PROBLEMS WHICH ARISE FROM OTHER FAILURE TO OBTAIN AND / OR FOLLOW THE ENGINEER'S GUIDANCE WITH RESPECT TO ANY ERRORS, OMISSIONS, INCONSISTENCIES, AMBIGUITIES OR CONFLICTS WHICH ARE ALLEGED.

THIS DRAWING IS THE PROPERTY OF GOODKEY WEEDMARK & ASSOCIATES LIMITED AND ALL COPYRIGHTS ARE RESERVED. NO USE OF THIS DRAWING MAY BE MADE WITHOUT EXPRESS WRITTEN CONSENT.

DO NOT SCALE DRAWINGS.

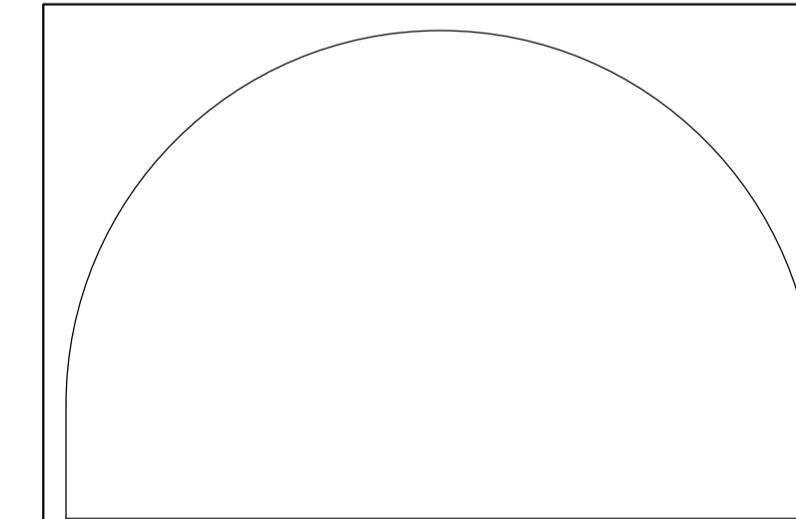
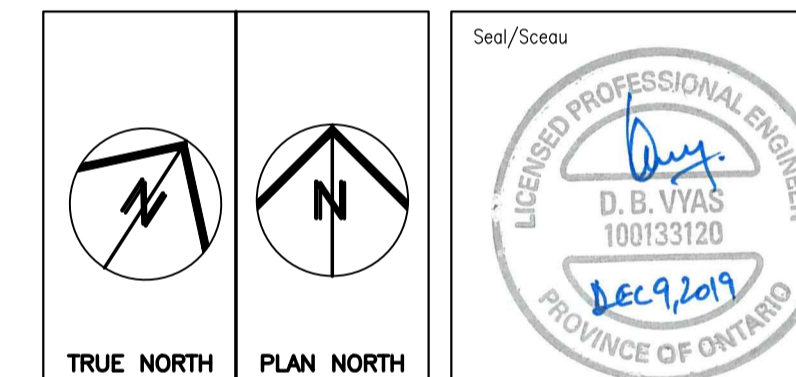
L'INGÉNIEUR DÉCLINE TOUTE RESPONSABILITÉ DÉCOULANT DE PROBLÈMES FAISANT SUITE AU NON RESPECT DES PLANS, DEVIS ET DE L'INTENTION DU CONCEPT QU'ILS INDICENT, OU DE TOUTS LES PROBLÈMES POUVANT RÉSULTER DU DÉFAUT D'OBTENIR ET / OU DE SUIVRE LES CONSEILS DE L'INGÉNIEUR EN CE QUI CONCERNE LES ERREURS, OMISSIONS, INCONSISTANCES, AMBIGUITÉS OU CONFLITS ALLEGUÉS.

CE Dessin EST LA PROPRIÉTÉ LITTÉRAIRE DE GOODKEY WEEDMARK & ASSOCIATES LIMITED ET TOUTS LES DROITS SONT RÉSERVÉS. L'UTILISATION EST INTERDITE SANS LE CONSENTEMENT ÉCRIT DE L'AUTEUR.

NE PAS MESURER LES Dessins A L'ÉCHELLE.



GOODKEY WEEDMARK & ASSOCIATES LIMITED
1688 Woodward Dr. Ottawa Ontario Canada K2C 3R8
613 727-5111 Voice
613 727-5115 Fax
www.gwcl.com Web



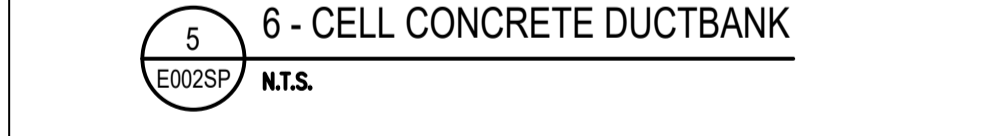
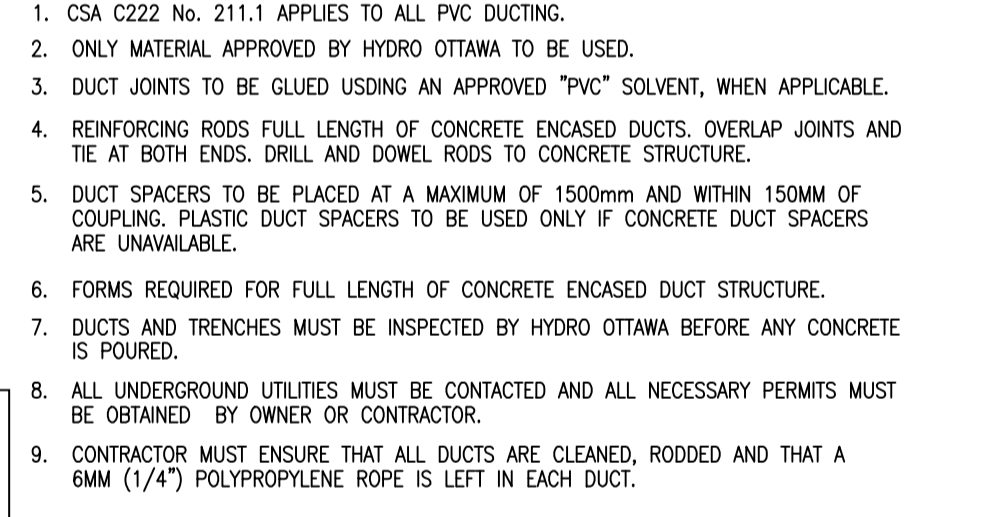
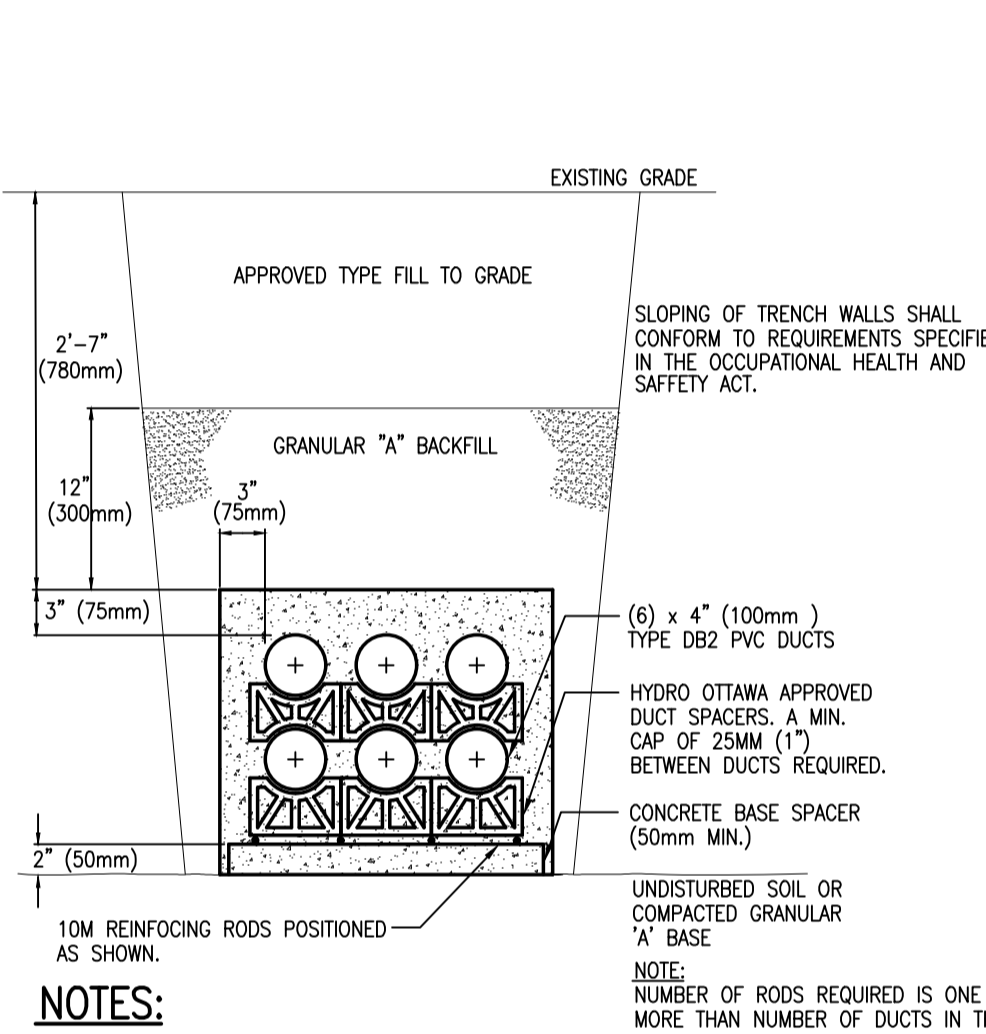
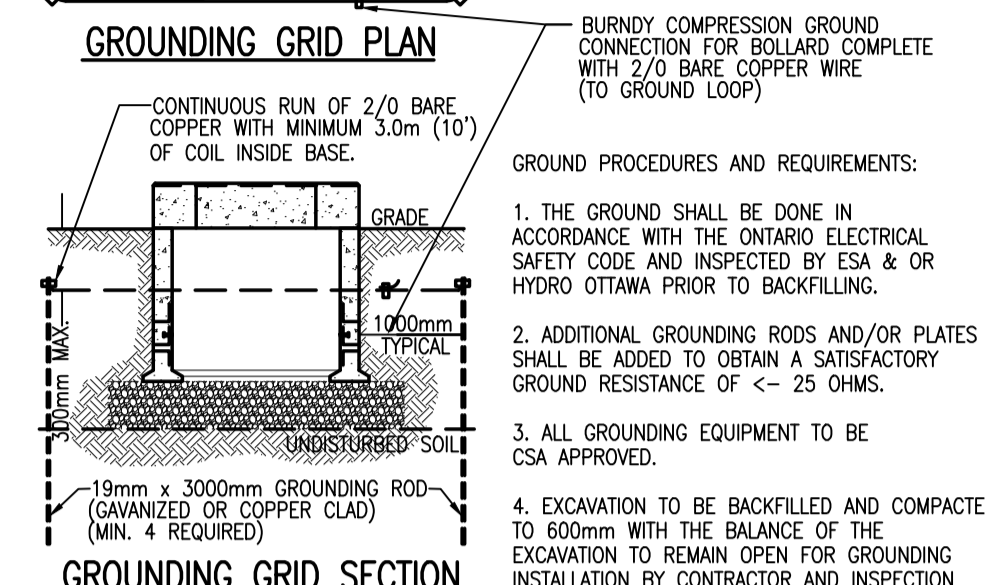
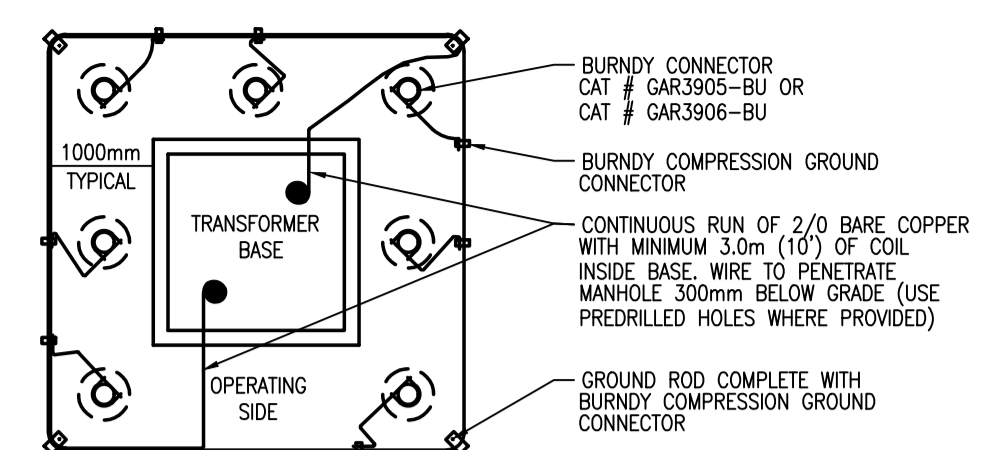
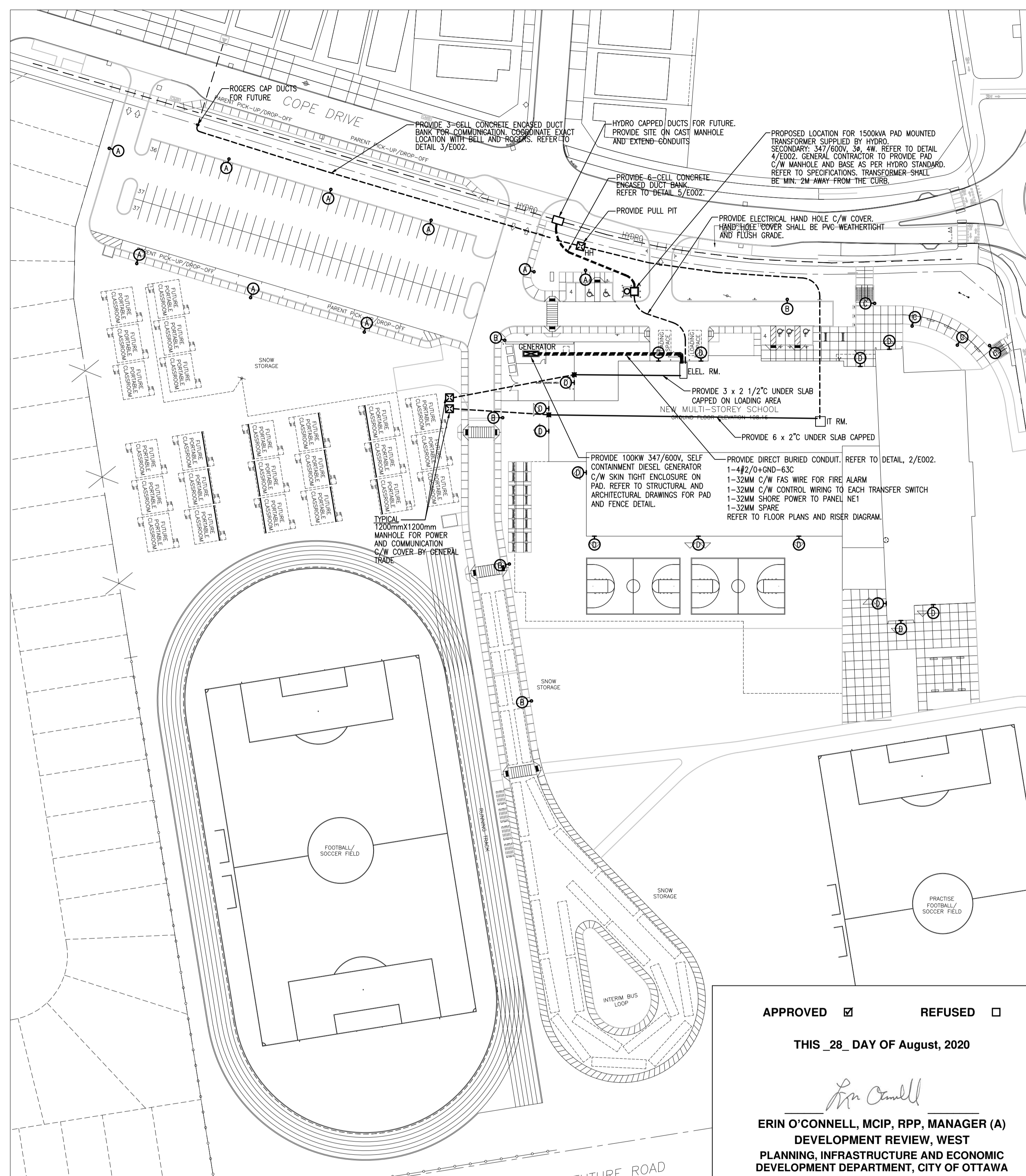
EDWARD J CUHACI & ASSOCIATES ARCHITECTS Inc.
171 Stater St, Suite 100, Ottawa, K1P 5H7
Fax: (613) 236-1944 Telephone: (613) 236-7135 E-mail: info@cuhaci.com

PROJECT/TITRE DU PROJET
NEW STITTSVILLE HIGH SCHOOL
700 COPE DRIVE
OTTAWA, ONTARIO

OTTAWA - CARLETON DISTRICT SCHOOL BOARD
NEPEAN, ON K2H 6L3
133 GREENBANK ROAD

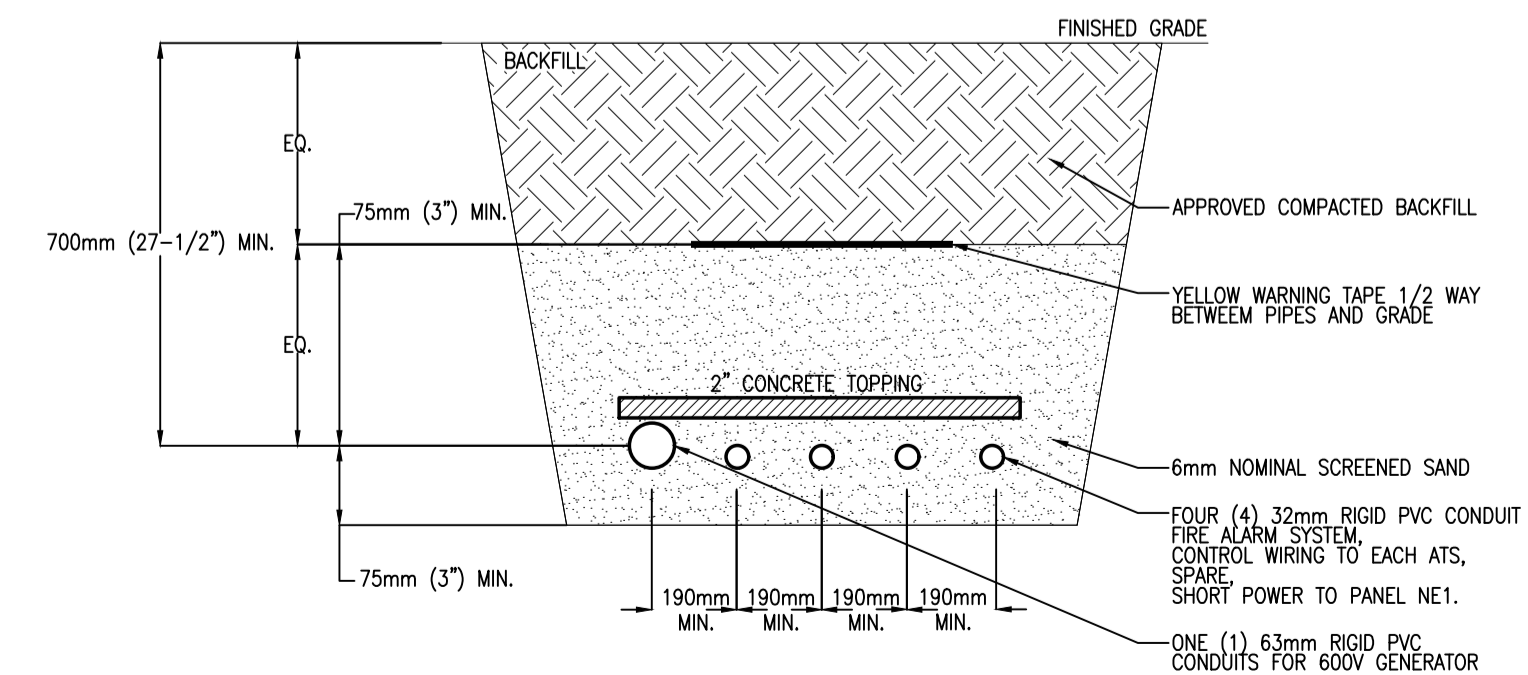
DRAWING/TITRE DU Dessin
ELECTRICAL SITE PLAN

SCALE	PROJ. No	ISSUE No	REV. No
ECHELLE	AS NOTED	2019-153	2 0
DRAWN BY	J. GUAN	DRAWING/DESSIN	
CHECKED BY	D. VYAS	E002SP	
DATE	JULY 2019	ACAD FILE/FICHER: Z\2019-153\ELEC	



1 ELECTRICAL SITE PLAN
E002SP 1/750

- GENERAL NOTES:**
- COORDINATE BURIED SERVICES WITH ALL OTHER SERVICES (WATER, SEWER, GAS, HYDRO, TELEPHONE, CABLE, ETC.) REFER TO RELATED SITE SERVICES DRAWINGS.
 - COORDINATE WITH UTILITY AND TELEPHONE/CATV SERVICES FOR LOCATION AND FINAL CONDUIT REQUIREMENTS.
 - COORDINATE LOCATION OF LIGHTING FIXTURES WITH LANDSCAPE PLANS.
 - EXCAVATION, BACKFILL AND CONCRETE, REINFORCING ASSOCIATED WITH ELECTRICAL WORK TO BE BY GENERAL CONTRACTOR.
 - USE PVC FOR UNDERGROUND ONLY. CHANGE TO EMT INSIDE BUILDING.
 - PROVIDE PVC/EMT TRANSITION ADAPTORS AT EXTERIOR TO INTERIOR CONDUITS.



2 GENERATOR BURIED CONDUIT DETAIL
E002SP N.T.S.

APPROVED REFUSED
THIS 28 DAY OF August, 2020
Erin O'Connell
ERIN O'CONNELL, MCIP, RPP, MANAGER (A)
DEVELOPMENT REVIEW, WEST
PLANNING, INFRASTRUCTURE AND ECONOMIC
DEVELOPMENT DEPARTMENT, CITY OF OTTAWA

LIGHTING FIXTURE SCHEDULE

TYPE	DESCRIPTION	CATALOG NUMBER	LAMPS PER FIXTURE			MOUNTING	REMARKS	
			QTY	TYPE	WATTS			VOLTS
A	EXTERIOR 23' POLE LIGHT	GLEON-EDISON #	32	LED	113W	3000	347	POLE (23') 5" SQUARE POLE C/W SNOW GUARD SEE DETAIL 7/E002.
B	EXTERIOR 23' POLE LIGHT	GLEON-EDISON #	32	LED	113W	3000	347	POLE (23') 5" SQUARE POLE C/W SNOW GUARD SEE DETAIL 7/E002.
C	EXTERIOR 13' POLE LIGHT	LIGMAN #	1	LED	59W	3000	347	POLE 13' POLE C/W ACCESSORIES
D	EXTERIOR LED WALL PACK	EATON-MCGRAW-EDISON #	16	LED	53.8W	4000	347	WALL MOUNTED AT 13' A.F.F. PROVIDE ALL REQUIRED ACCESSORIES.