

OTTAWA-CARLETON DISTRICT SCHOOL BOARD

ISSUE NO.	REV. NO.	DATE	ISSUE
2	0	2019/12/09	ISSUED FOR SITE PLAN CONTROL COMMENTS 01
1	0	2019/07/25	ISSUED FOR SITE PLAN CONTROL

THE ENGINEER WAIVES ANY AND ALL RESPONSIBILITY AND LIABILITY FOR PROBLEMS WHICH ARISE FROM FAILURE TO FOLLOW THESE PLANS, SPECIFICATIONS AND THE DESIGN INTENT THEY CONVEY, OR FOR PROBLEMS WHICH ARISE FROM OTHER FAILURE TO OBTAIN AND / OR FOLLOW THE ENGINEER'S GUIDANCE WITH RESPECT TO ANY ERRORS, OMISSIONS, INCONSISTENCIES, AMBIGUITIES OR CONFLICTS WHICH ARE ALLEGED.

THIS DRAWING IS THE PROPERTY OF GOODKEY WEEDMARK & ASSOCIATES LIMITED AND ALL COPYRIGHTS ARE RESERVED. NO USE OF THIS DRAWING MAY BE MADE WITHOUT EXPRESS WRITTEN CONSENT.

DO NOT SCALE DRAWINGS.

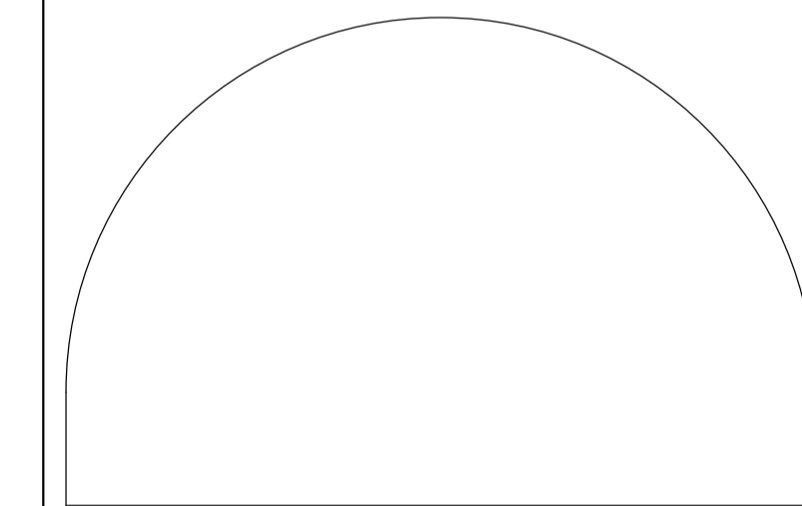
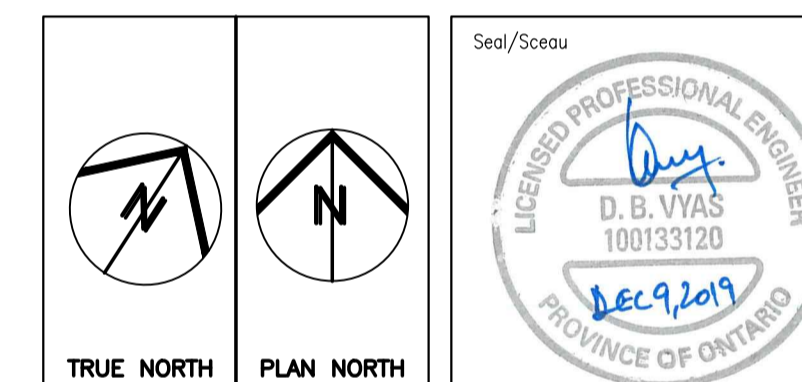
L'INGÉNIEUR DÉCLINE TOUTE RESPONSABILITÉ DÉCOULANT DE PROBLÈMES FAISANT SUITE AU NON RESPECT DES PLANS, DEVIS ET DE L'INTENTION DU CONCEPT QU'ILS INDICQUENT, OU DE TOUTS LES PROBLÈMES POUVANT RÉSULTER DU DÉFAUT D'OBTENIR ET / OU DE SUIVRE LES CONSEILS DE L'INGÉNIEUR EN CE QUI CONCERNE LES ERREURS, OMISSIONS, INCONSISTANCES, AMBIGUITÉS OU CONFLITS ALLEGUÉS.

CE Dessin EST LA PROPRIÉTÉ LITTÉRAIRE DE GOODKEY WEEDMARK & ASSOCIATES LIMITED ET TOUTS LES DROITS SONT RÉSERVÉS. L'UTILISATION EST INTERDITE SANS LE CONSENTEMENT ÉCRIT DE L'AUTEUR.

NE PAS MESURER LES Dessins A L'ÉCHELLE.



GOODKEY WEEDMARK & ASSOCIATES LIMITED
1688 Woodward Dr. Ottawa Ontario Canada K2C 3R8
613 727-5111 Voice
613 727-5115 Fax
www.gwcl.com Web



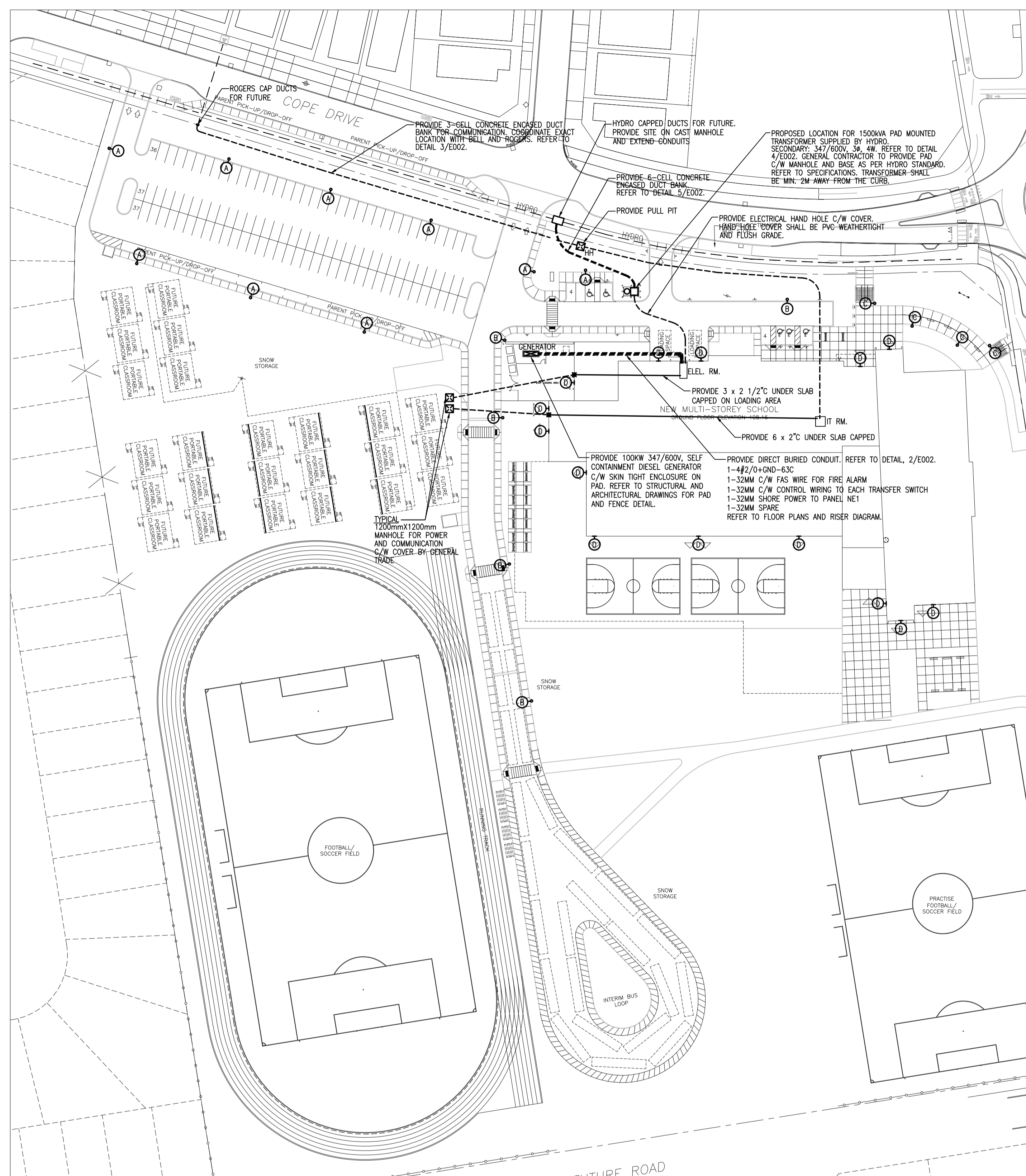
EDWARD J CUHACI & ASSOCIATES ARCHITECTS Inc.
171 Stater St, Suite 100, Ottawa, Ontario, K1P 5H7
Fax: (613) 236-1944 Telephone: (613) 236-7135 E-mail: info@cuhaci.com

PROJECT/TITRE DU PROJET
NEW STITTSVILLE HIGH SCHOOL
700 COPE DRIVE
OTTAWA, ONTARIO

OTTAWA - CARLETON DISTRICT SCHOOL BOARD
NEPEAN, ON K2H 6L3
133 GREENBANK ROAD

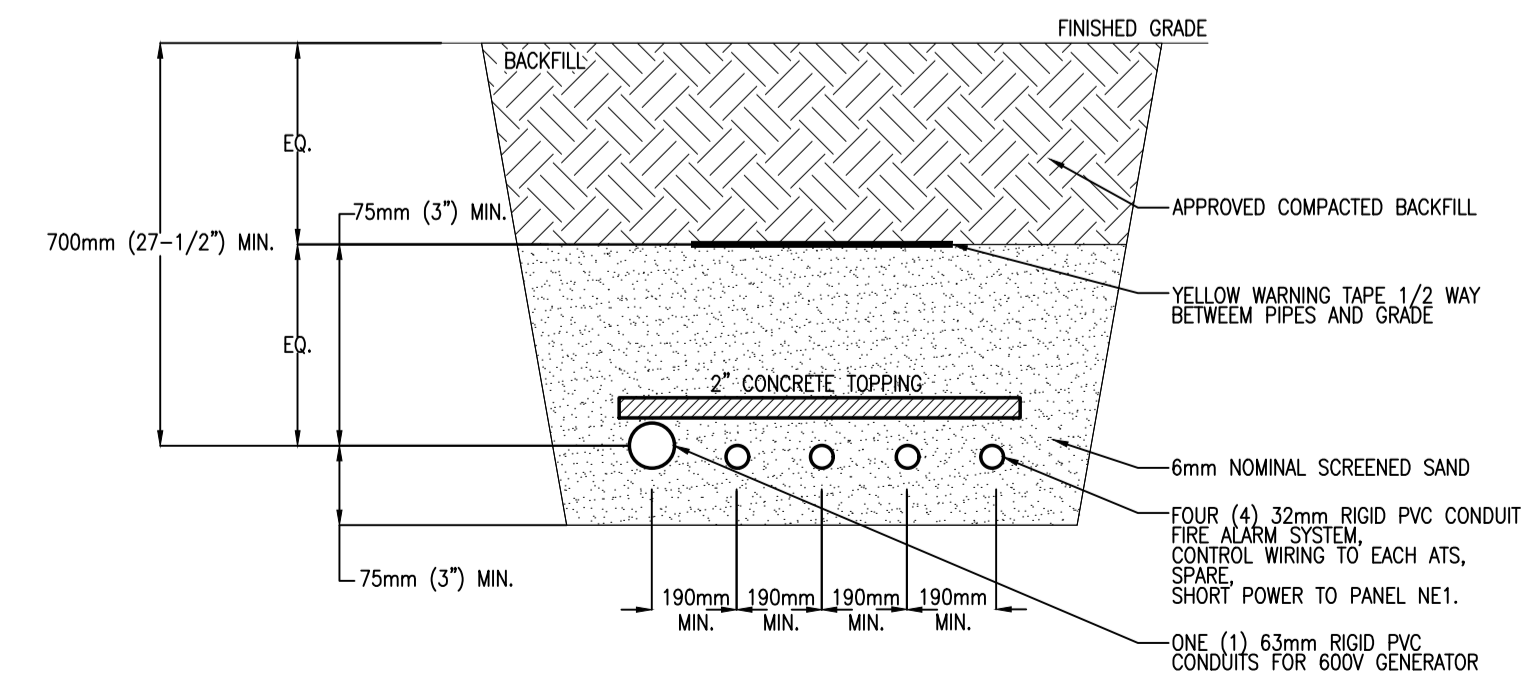
DRAWING/TITRE DU Dessin
ELECTRICAL SITE PLAN

SCALE	PROJ. No	ISSUE No	REV. No
ECHELLE AS NOTED	2019-153	2	0
DRAWN BY DESSINE PAR	J. GUAN	DRAWING/DESSIN	
CHECKED BY VÉRIFIÉ PAR	D. VYAS	E002SP	
DATE	JULY 2019	ACAD FILE/FICHER: Z\2019-153\ELEC	



1 ELECTRICAL SITE PLAN
E002SP 1/750

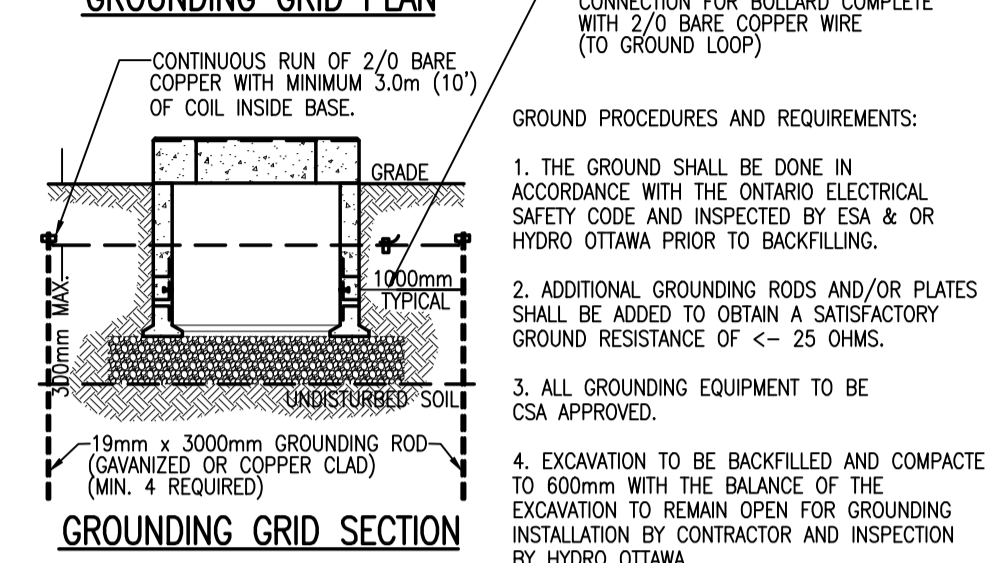
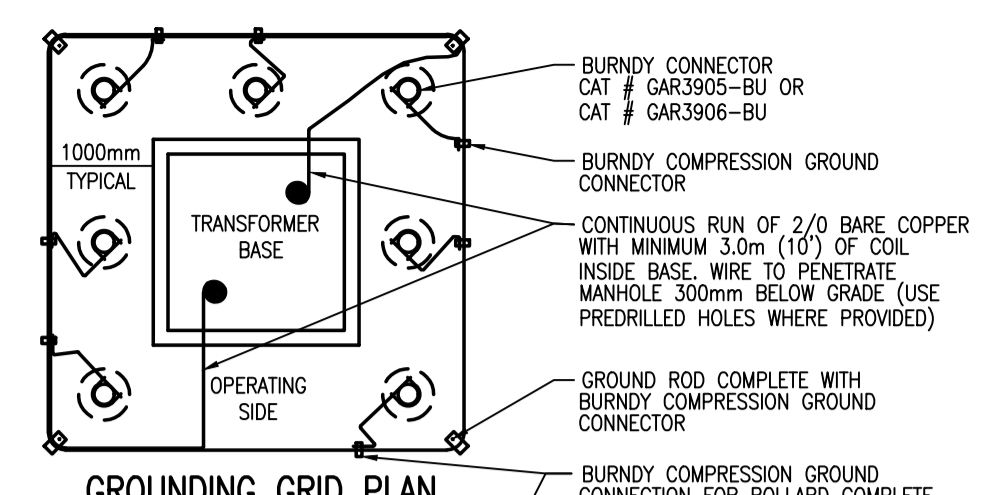
- GENERAL NOTES:**
- COORDINATE BURIED SERVICES WITH ALL OTHER SERVICES (WATER, SEWER, GAS, HYDRO, TELEPHONE, CABLE, ETC.) REFER TO RELATED SITE SERVICES DRAWINGS.
 - COORDINATE WITH UTILITY AND TELEPHONE/CATV SERVICES FOR LOCATION AND FINAL CONDUIT REQUIREMENTS.
 - COORDINATE LOCATION OF LIGHTING FIXTURES WITH LANDSCAPE PLANS.
 - EXCAVATION, BACKFILL AND CONCRETE, REINFORCING ASSOCIATED WITH ELECTRICAL WORK TO BE BY GENERAL CONTRACTOR.
 - USE PVC FOR UNDERGROUND ONLY. CHANGE TO EMT INSIDE BUILDING.
 - PROVIDE PVC/EMT TRANSITION ADAPTORS AT EXTERIOR TO INTERIOR CONDUITS.



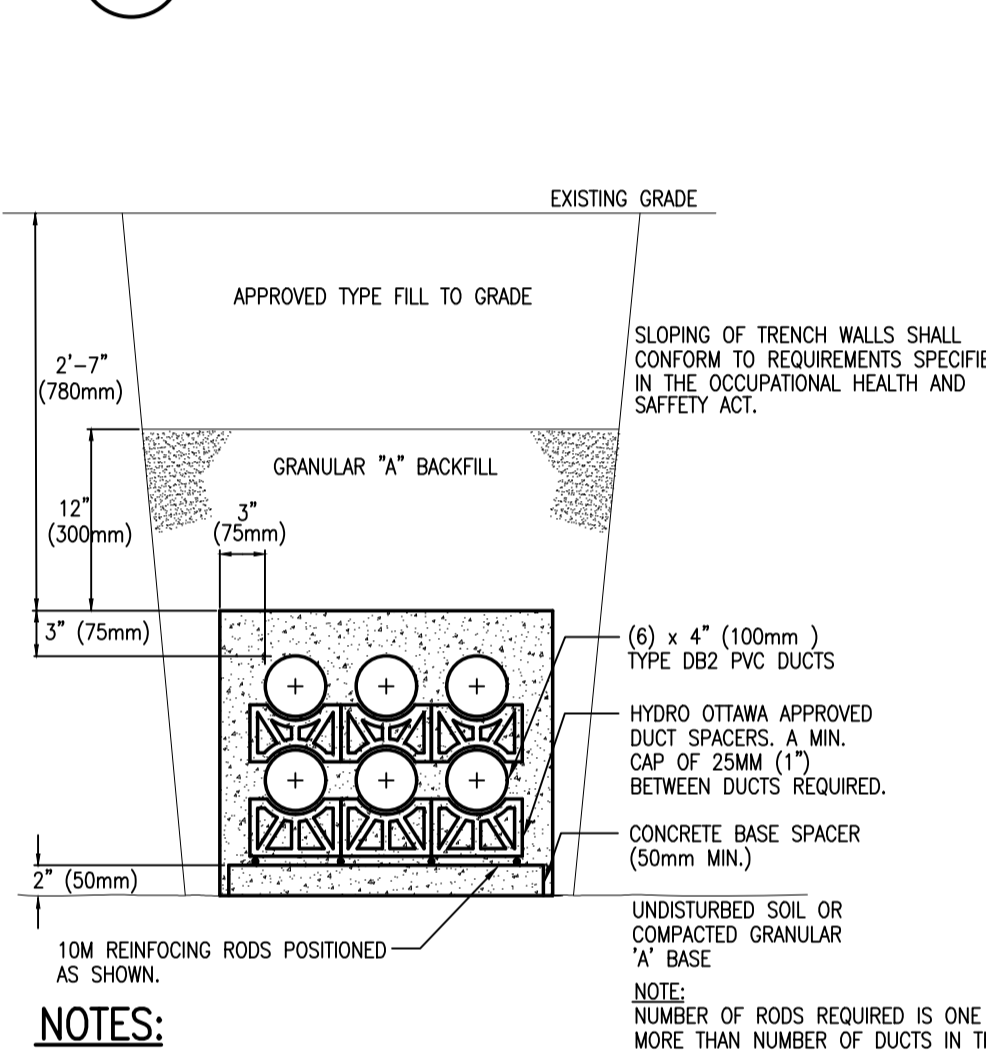
2 GENERATOR BURIED CONDUIT DETAIL
E002SP N.T.S.

LIGHTING FIXTURE SCHEDULE

TYPE	DESCRIPTION	CATALOG NUMBER	LAMPS PER FIXTURE			MOUNTING	REMARKS	
			QTY	TYPE	WATTS			VOLTS
A	EXTERIOR 23' POLE LIGHT	MCGRW-EDISON # GLEON-AF-02-LED-E1-SL4-7030-HSS	32	LED	113W	3000	347	POLE (23') 5" SQUARE POLE C/W SNOW GUARD SEE DETAIL 7/E002.
B	EXTERIOR 23' POLE LIGHT	MCGRW-EDISON # GLEON-AF-02-LED-E1-SL3-7030-HSS	32	LED	113W	3000	347	POLE (23') 5" SQUARE POLE C/W SNOW GUARD SEE DETAIL 7/E002.
C	EXTERIOR 13' POLE LIGHT	LIGMAN # LI-21171-T4-W30	1	LED	59W	3000	347	POLE 13' POLE C/W ACCESSORIES MOUNTED AT 13' A.F.F. PROVIDE ALL REQUIRED ACCESSORIES.
D	EXTERIOR LED WALL PACK	EATON-MCGRW-EDISON # GWC-AF-01-LED-E1-T4T-7030	16	LED	53.8W	4000	347	

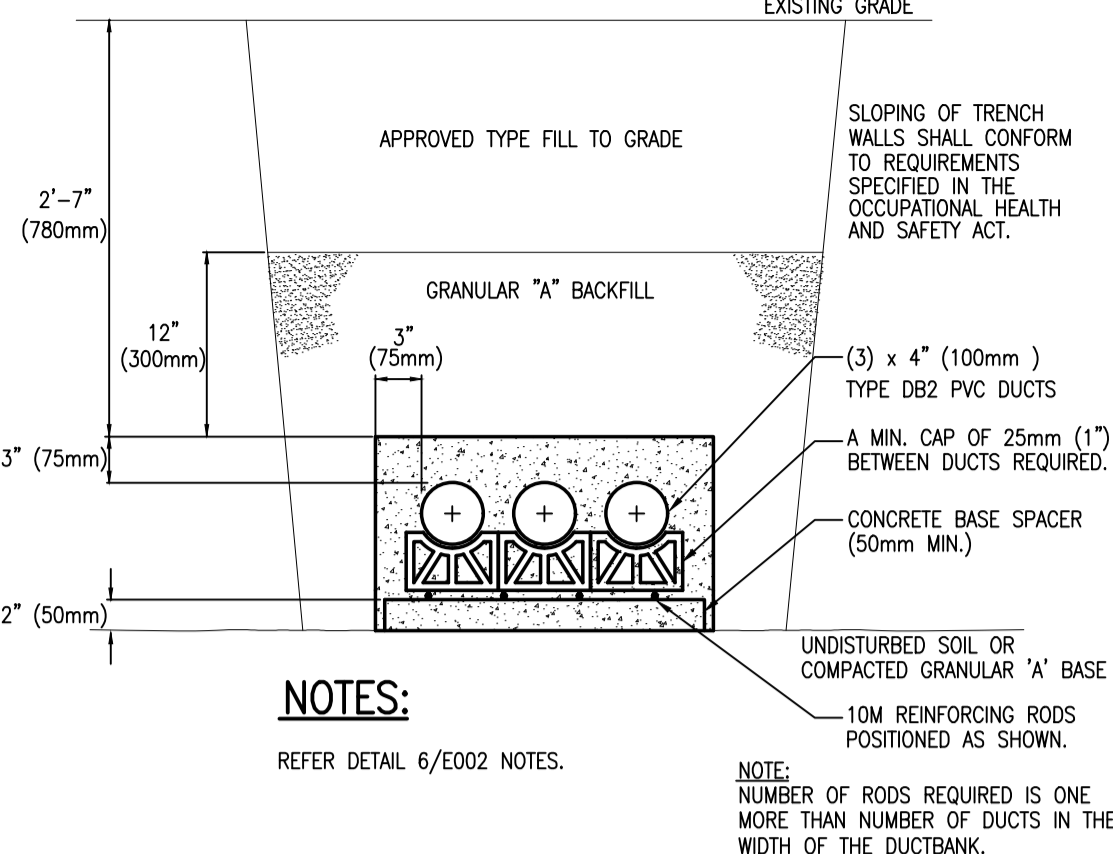


3 PAD MOUNTED TRANSFORMER BASE GROUNDING DETAIL
E002SP N.T.S.

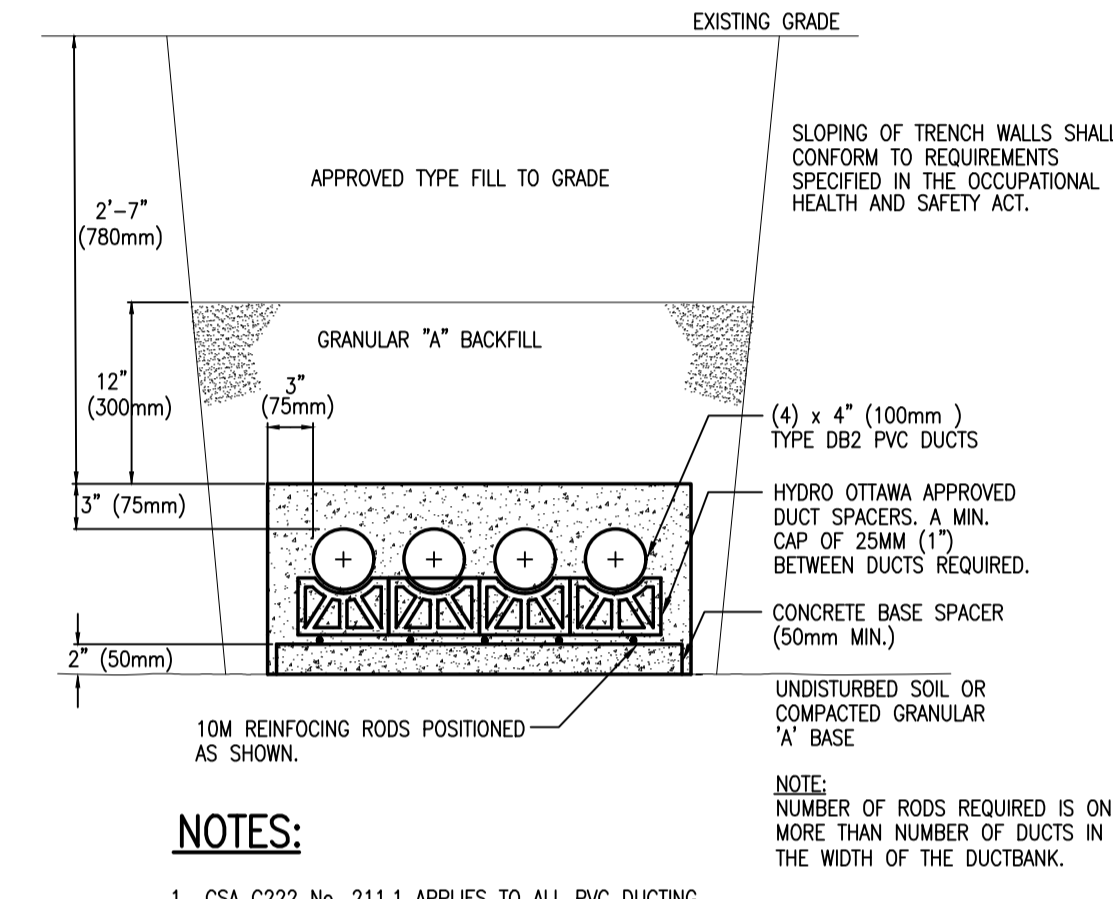


- NOTES:**
- THE GROUND SHALL BE DONE IN ACCORDANCE WITH THE ONTARIO ELECTRICAL SAFETY CODE AND INSPECTED BY ESA & OR HYDRO OTTAWA PRIOR TO BACKFILLING.
 - ADDITIONAL GROUNDING RODS AND/OR PLATES SHALL BE ADDED TO OBTAIN A SATISFACTORY GROUND RESISTANCE OF < 25 OHMS.
 - ALL GROUNDING EQUIPMENT TO BE CSA APPROVED.
 - EXCAVATION TO BE BACKFILLED AND COMPACTED TO 600mm WITH THE BALANCE OF THE EXCAVATION TO REMAIN OPEN FOR GROUNDING INSTALLATION BY CONTRACTOR AND INSPECTION BY HYDRO OTTAWA.

5 6-CELL CONCRETE DUCTBANK
E002SP N.T.S.

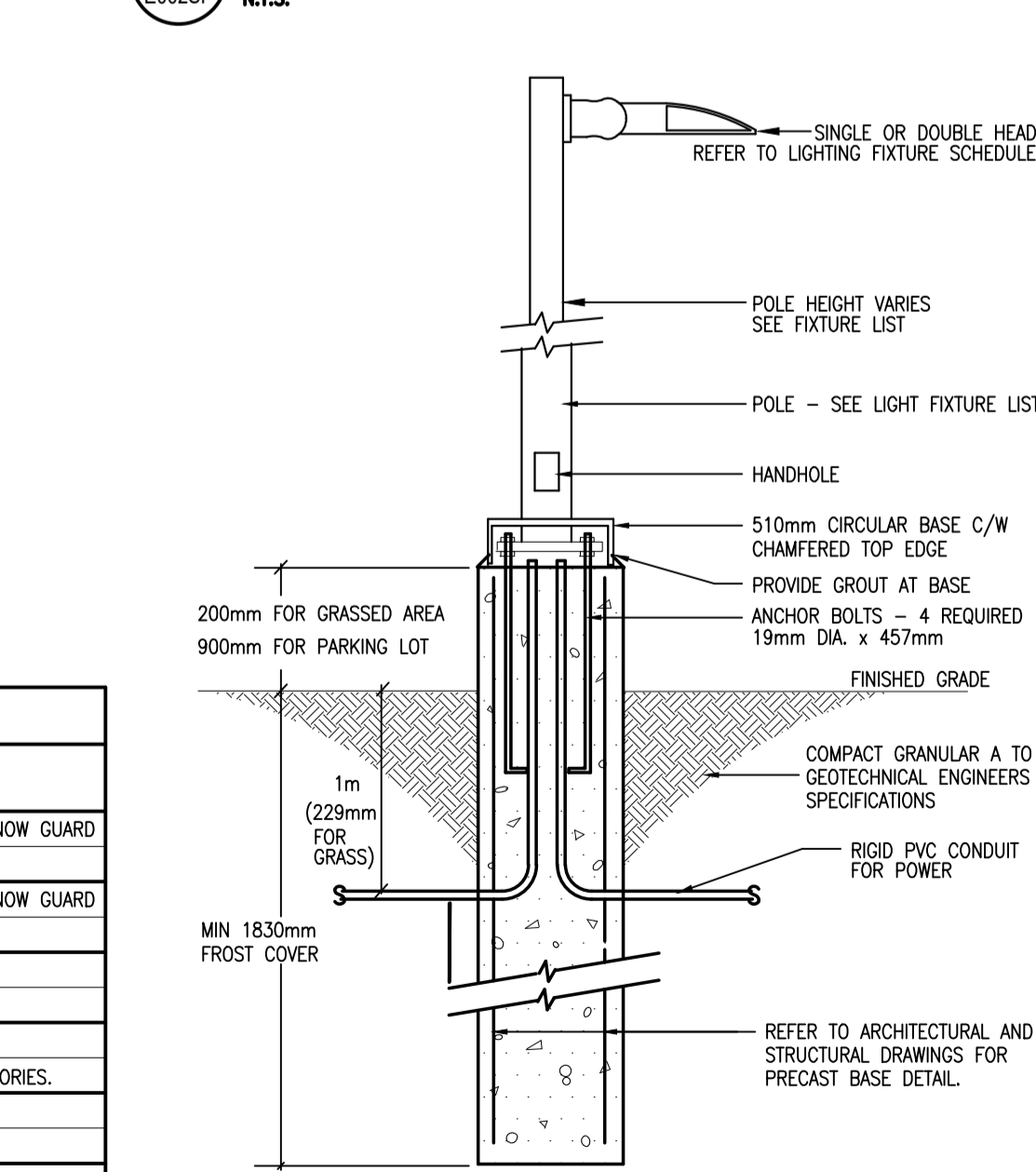


3-CELL CONCRETE DUCTBANK FOR COMMUNICATION
E002SP N.T.S.



- NOTES:**
- CSA C222 No. 211.1 APPLIES TO ALL PVC DUCTING.
 - ONLY MATERIAL APPROVED BY HYDRO OTTAWA TO BE USED.
 - DUCT JOINTS TO BE GLUED USING AN APPROVED "PVC" SOLVENT, WHEN APPLICABLE.
 - REINFORCING RODS FULL LENGTH OF CONCRETE ENCASED DUCTS. OVERLAP JOINTS AND TIE AT BOTH ENDS. DRILL AND DOWEL RODS TO CONCRETE STRUCTURE.
 - DUCT SPACERS TO BE PLACED AT A MAXIMUM OF 1500mm AND WITHIN 150MM OF COUPLING. PLASTIC DUCT SPACERS TO BE USED ONLY IF CONCRETE DUCT SPACERS ARE UNAVAILABLE.
 - FORMS REQUIRED FOR FULL LENGTH OF CONCRETE ENCASED DUCT STRUCTURE.
 - DUCTS AND TRENCHES MUST BE INSPECTED BY HYDRO OTTAWA BEFORE ANY CONCRETE IS POURED.
 - ALL UNDERGROUND UTILITIES MUST BE CONTACTED AND ALL NECESSARY PERMITS MUST BE OBTAINED BY OWNER OR CONTRACTOR.
 - CONTRACTOR MUST ENSURE THAT ALL DUCTS ARE CLEANED, RODDED AND THAT A 6mm (1/4") POLYPROPYLENE ROPE IS LEFT IN EACH DUCT.

4-CELL CONCRETE DUCTBANK FOR SECONDARY SERVICE
E002SP N.T.S.



7 TYPICAL BASE DETAIL FOR EXTERIOR LIGHT STANDARD
E002SP N.T.S.