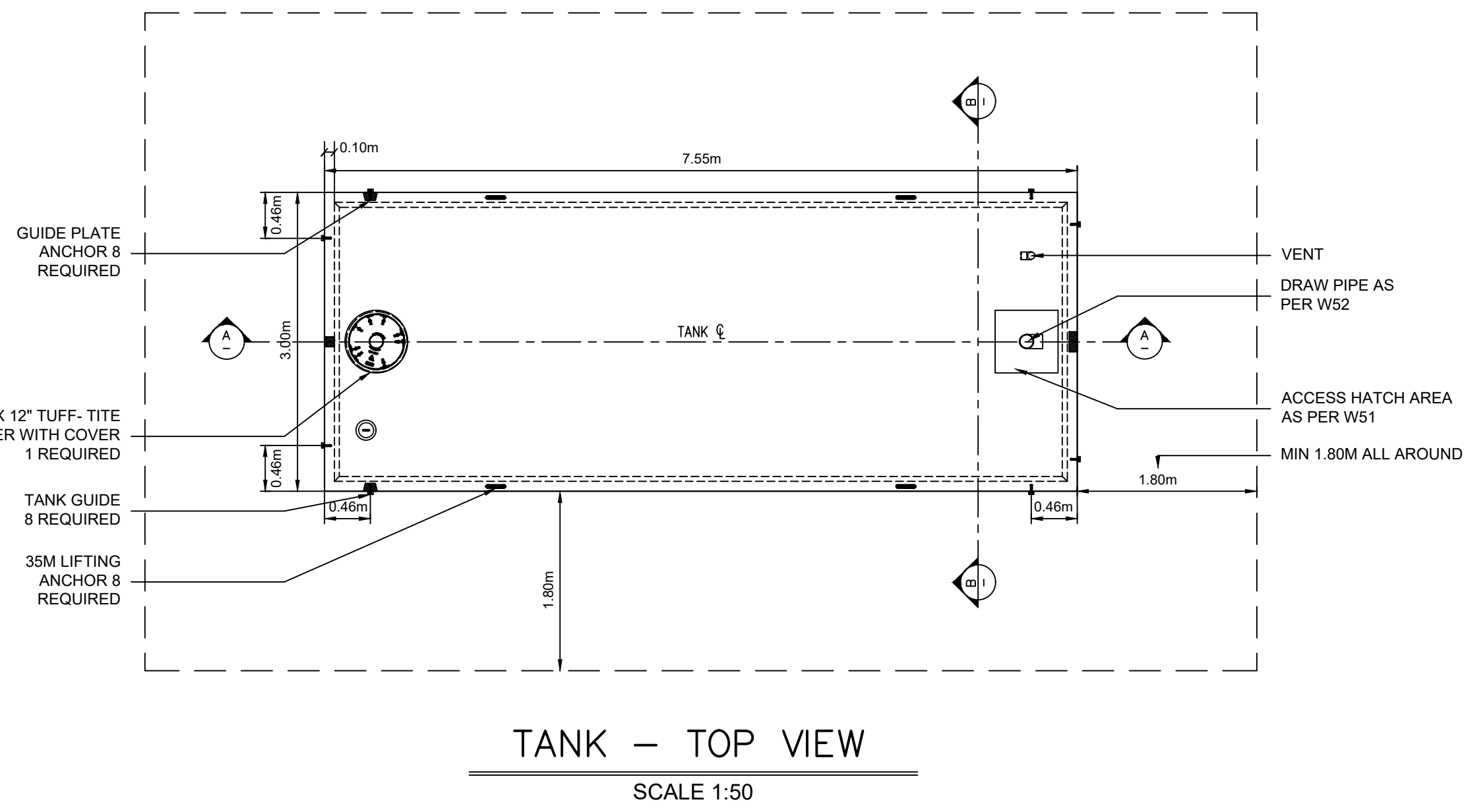
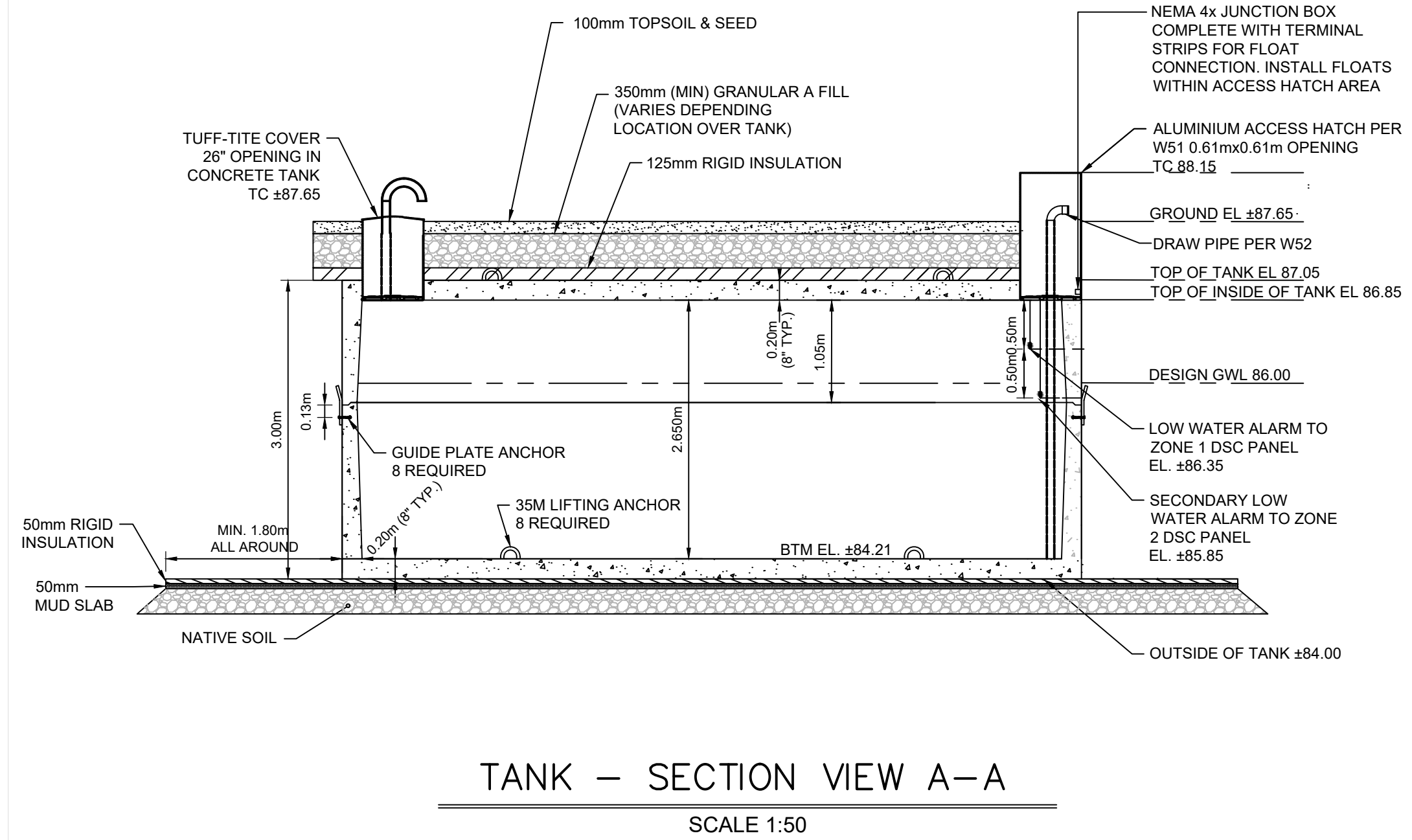


- GENERAL NOTES**
- CONTRACTOR TO COORDINATE PRE-CAST WATER HOLDING TANK 50,000L MODEL OR EQUIVALENT SHOP DRAWINGS WITH THE MANUFACTURE.
  - ELECTRICAL CONTRACTOR TO CARRY OUT FINAL COORDINATION FOR TIE IN POINTS FOR THE FLOATS PER THE SHOP DRAWINGS PROVIDED BY TANK MANUFACTURER.
  - ENSURE CLEAR, MONOMERIC SILANE SEALER (SIKAGARD® SN-100) COATING, TO PROTECT THE TANKS FROM SOIL CORROSION. TO BE APPLICATED TO THE TANKS BY THE MANUFACTURE BEFORE DELIVERY TO SITE. ANY TOUCH-UP TO BE PROVIDED BY THE MANUFACTURE.
  - CONTRACTOR TO ENSURE PIPE CONNECTION BETWEEN TANKS TO BE MINIMUM 600mm DISTANCE BETWEEN OUTER WALL OF TANKS AND PIPE TO BE MINIMUM 200mm SDR 35 PVC PIPE.
  - PROPOSED PIPE FITTINGS TO BE DIXON NORTH LINE STORZ OR EQUIVALENT.
  - UNITS ARE SEALED WITH BUTYL TAPE AT THE JOINTS.
  - CONTRACTOR TO ENSURE CRANE IS ON-SITE TO OFFLOAD AND SET TANK.
  - EXCAVATION MUST BE READY FOR INSTALL.
  - ALL UNITS MUST BE HANDLED WITH PROPER LIFTING EQUIPMENT.
  - TANK DESIGNED FOR A MAXIMUM FILL COVER DEPTH OF 1000mm, MINIMUM ENGINEERING FILL DEPTH OF 350mm.
  - TUF-TITE SAFETY LIDS WITH LOCKING CLIP INSTALLED IN ALL OPENINGS AS PER CSA-B66-21.

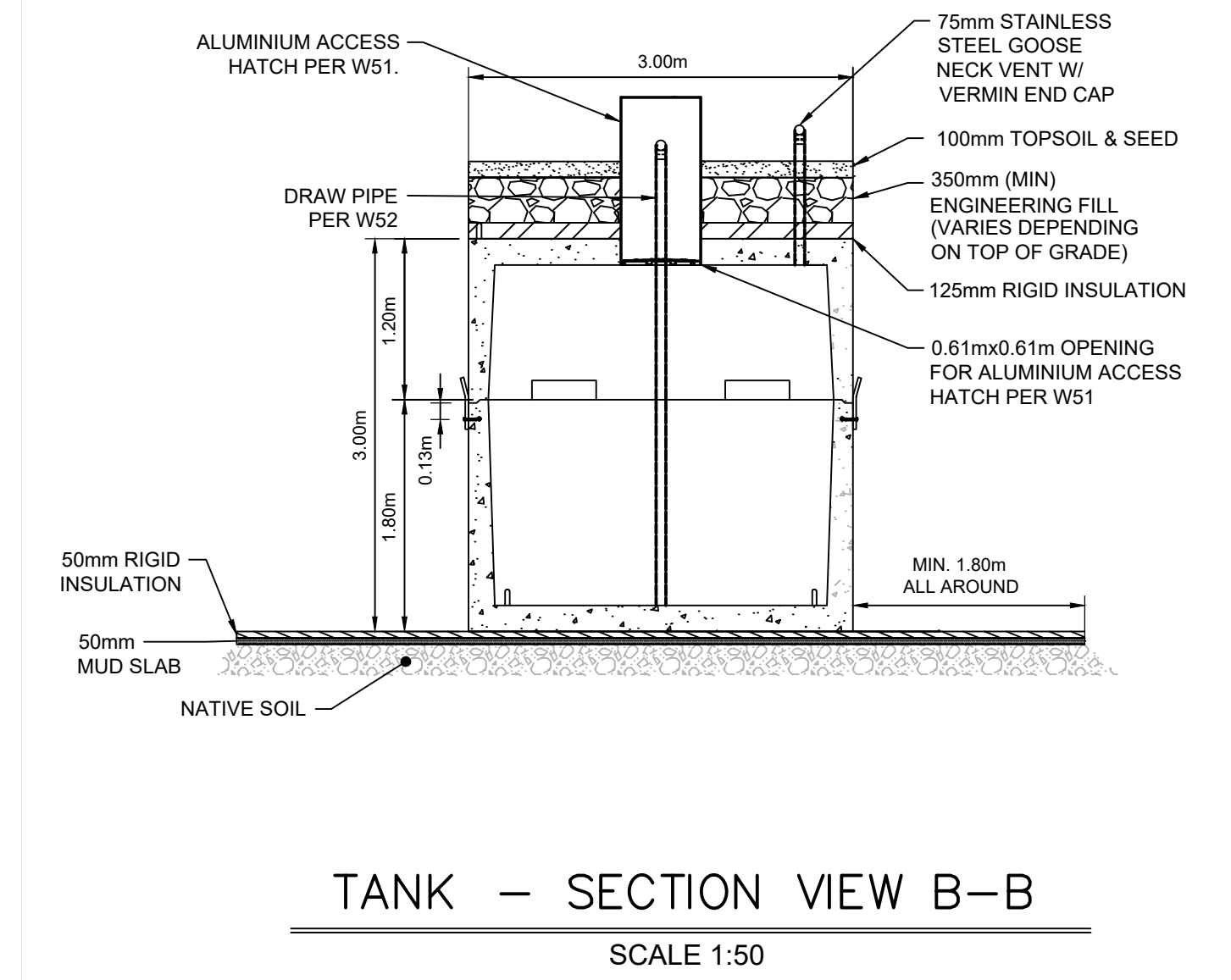
- ELECTRICAL NOTES**
- DSC SECURITY PANEL**
- PROVIDE A DSC SERIES SECURITY PANEL INSTALLED IN IT ROOM. CONTRACTOR TO REVIEW AND COORDINATE WITH OWNER REQUIREMENTS. PROVIDE 120VAC POWER TO THE NEW DSC SERIES SECURITY PANEL FROM IT ROOM PANEL BOARD. PROVIDE COMMUNICATIONS CONNECTION TO THE DSC PANEL.
  - PROVIDE ALARM TIE FROM DSC MONITORING PANEL INTO THE BUILDING AUTOMATION SYSTEM AND SECURITY SYSTEM RACKS LOCATED IN THE IT ROOM, COMPLETE WITH CAT5E CABLING IN CONDUIT.
  - CONTRACTOR TO COORDINATE ALL WORKS WITH HONI AND TO REVIEW THE SITE TO UNDERSTAND THE HONI'S REQUIREMENTS.
- LOW LEVEL FLOATS**
- PROVIDE TWO (2) ITT FLYGT - ENM - 10 FLOATS FOR TANK RESERVOIR. FLOATS TO BE COMPLETE WITH STAINLESS STEEL SWAY RINGS AND STAINLESS-STEEL HOOKS FOR CABLE SLACK. PROVIDE 1.0m OF FLOAT CABLE SLACK. WRAP SLACK CABLE AROUND STAINLESS STEEL HOOKS NEAR JUNCTION BOX. FLOATS AND SLACK CABLE TO BE ACCESSIBLE FROM THE LADDER. REFER TO TANK DETAILS FOR FLOAT ELEVATIONS.
- JUNCTION BOX**
- PROVIDE A NEMA 4X PVC JUNCTION BOX EQUIPPED WITH BACK PANEL AND TERMINAL BLOCKS FOR THE FIELD AND FLOAT WIRE TERMINATION.
  - MOUNT JUNCTION BOX JUST BELOW THE OPEN HATCH AREA BUT ABOVE THE MAXIMUM WATER LEVEL.
- CONDUITS AND WIRING**
- PROVIDE ONE (1) 53mm PVC CONDUIT COMPLETE WITH 2-PAIR 18AWG RWU 90 WIRING FROM THE IT ROOM TO EACH WATER RESERVOIR. PROVIDE SUFFICIENT NUMBER OF CONDUCTORS TO SUIT PLUS 25% SPARE.



TANK – TOP VIEW  
 SCALE 1:50



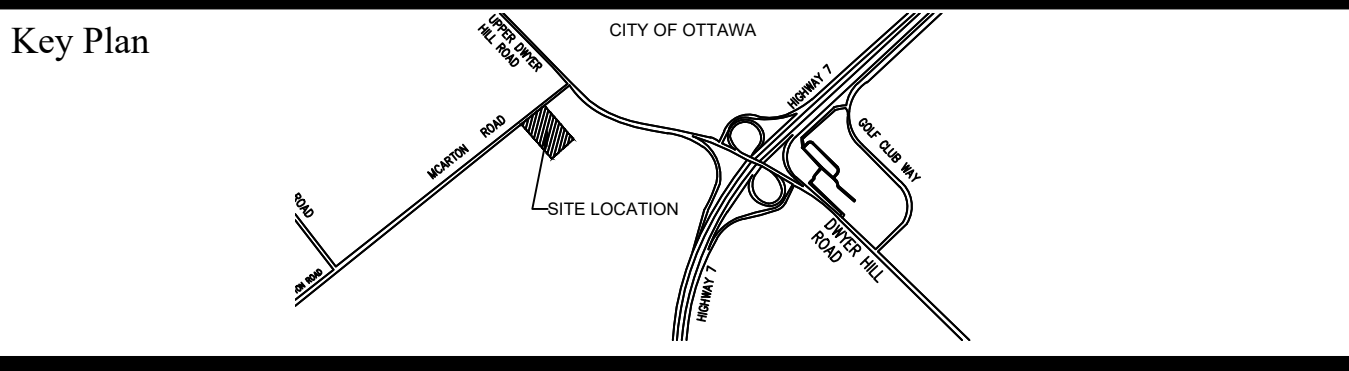
TANK – SECTION VIEW A-A  
 SCALE 1:50



TANK – SECTION VIEW B-B  
 SCALE 1:50

No	DATE	ISSUED FOR	App.	No	DATE	REVISION	App.
1	2023-11-21	SITE PLAN CONTROL - ADDITIONAL DETAILS	HA	1			
2				2			
3				3			
4				4			
5				5			
				6			
				7			

Copyright Reserved  
 The Contractor shall verify and be responsible for all dimensions. DO NOT scale the drawing - any errors or omissions shall be reported to ADAD Inc. without delay.  
 The Copyrights to all designs and drawings are the property of ADAD Inc. Reproduction or use for any purpose other than that authorized by ADAD Inc. is forbidden.



**JOHN H. KENNEDY LTD.**  
 ONTARIO & CANADA LANDS SURVEYORS  
 KEMPTVILLE PORTLAND  
 REF: 2018-10-085

**Ottawa Valley Wild Bird Care Centre**

**Adad**  
 ADVANCED DESIGN, ASSESSMENT & DEVELOPMENT INC.  
 ADAD Inc. (Advanced Design, Assessment & Development)  
 135 Mangrove Creek, Gloucester, Ottawa, ON, K1T 0E4

Project: **OTTAWA VALLEY WILD BIRD CARE CENTRE**  
 8520 McArthur Road, Ottawa, ON.

Title: TANK DETAILS	Drawn by: RA	Scale: AS INDICATED
Date: 2023-11-21	Verif. by: HA	Drawing #: DT-2
Revision:		