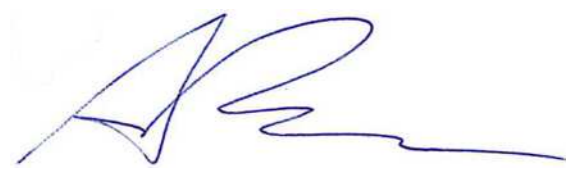


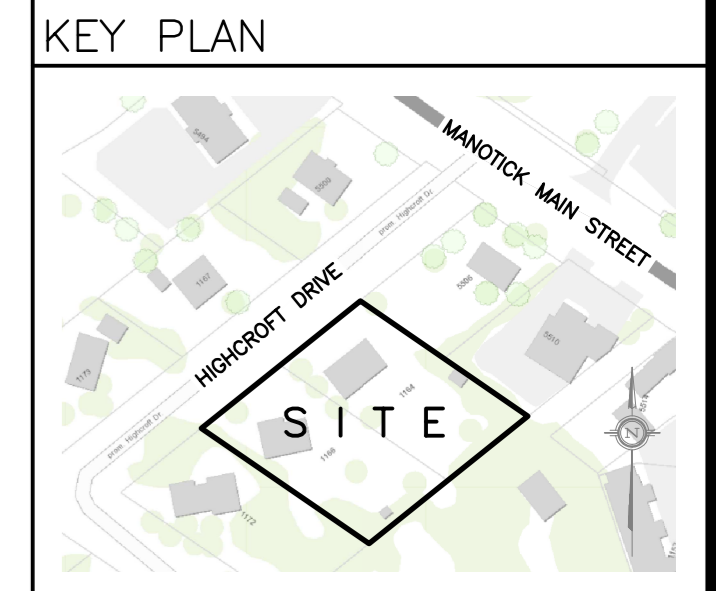
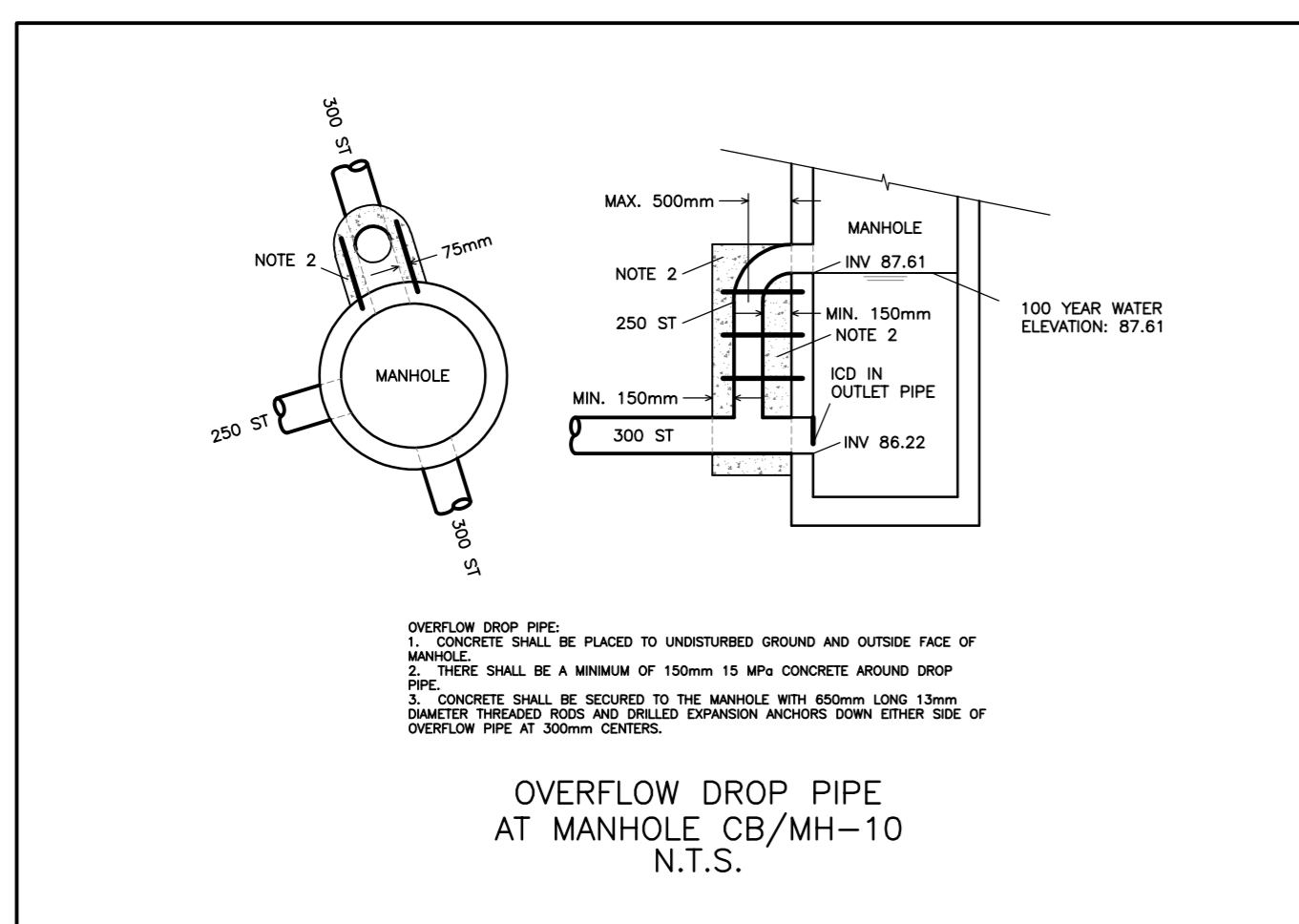
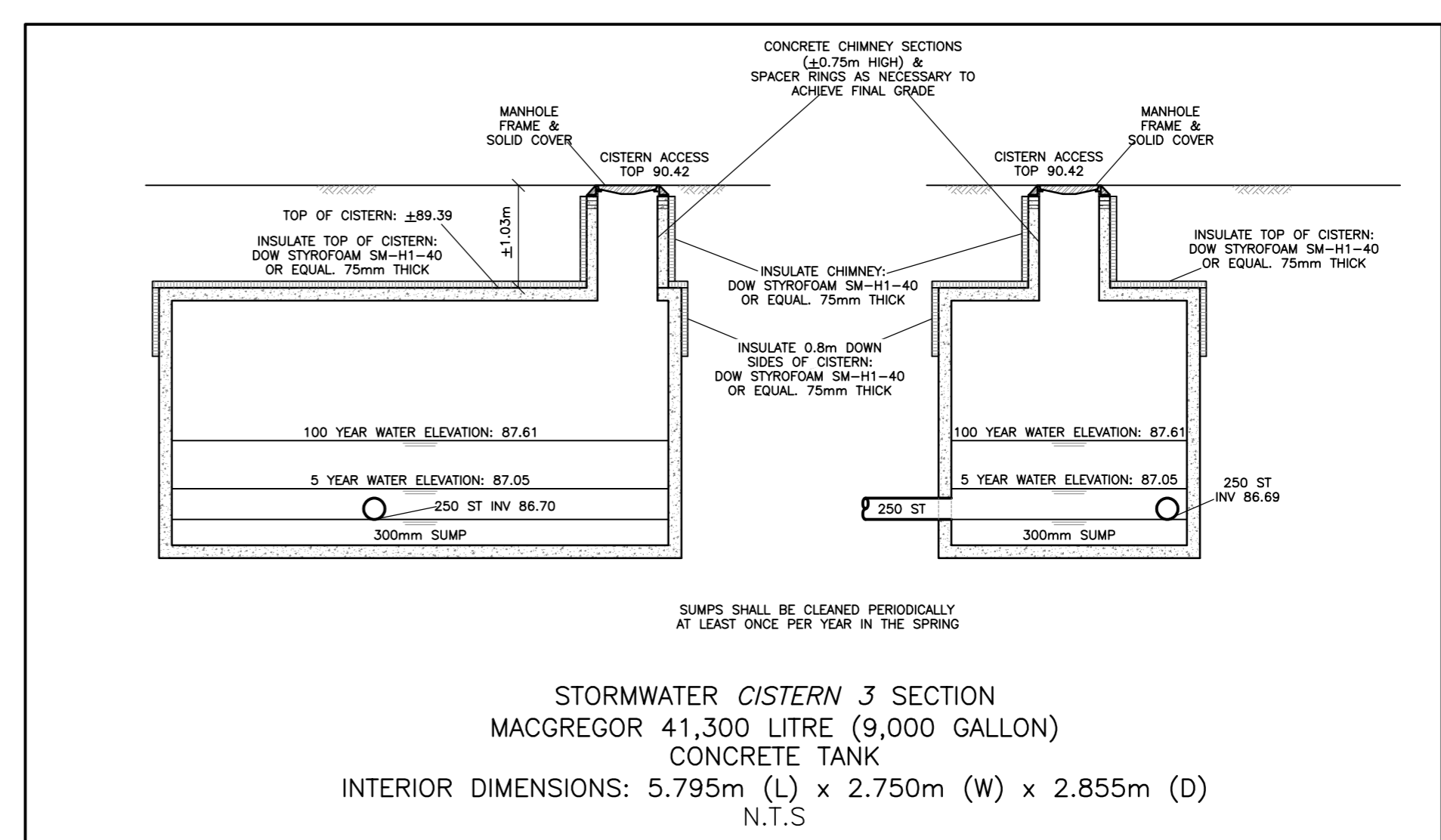
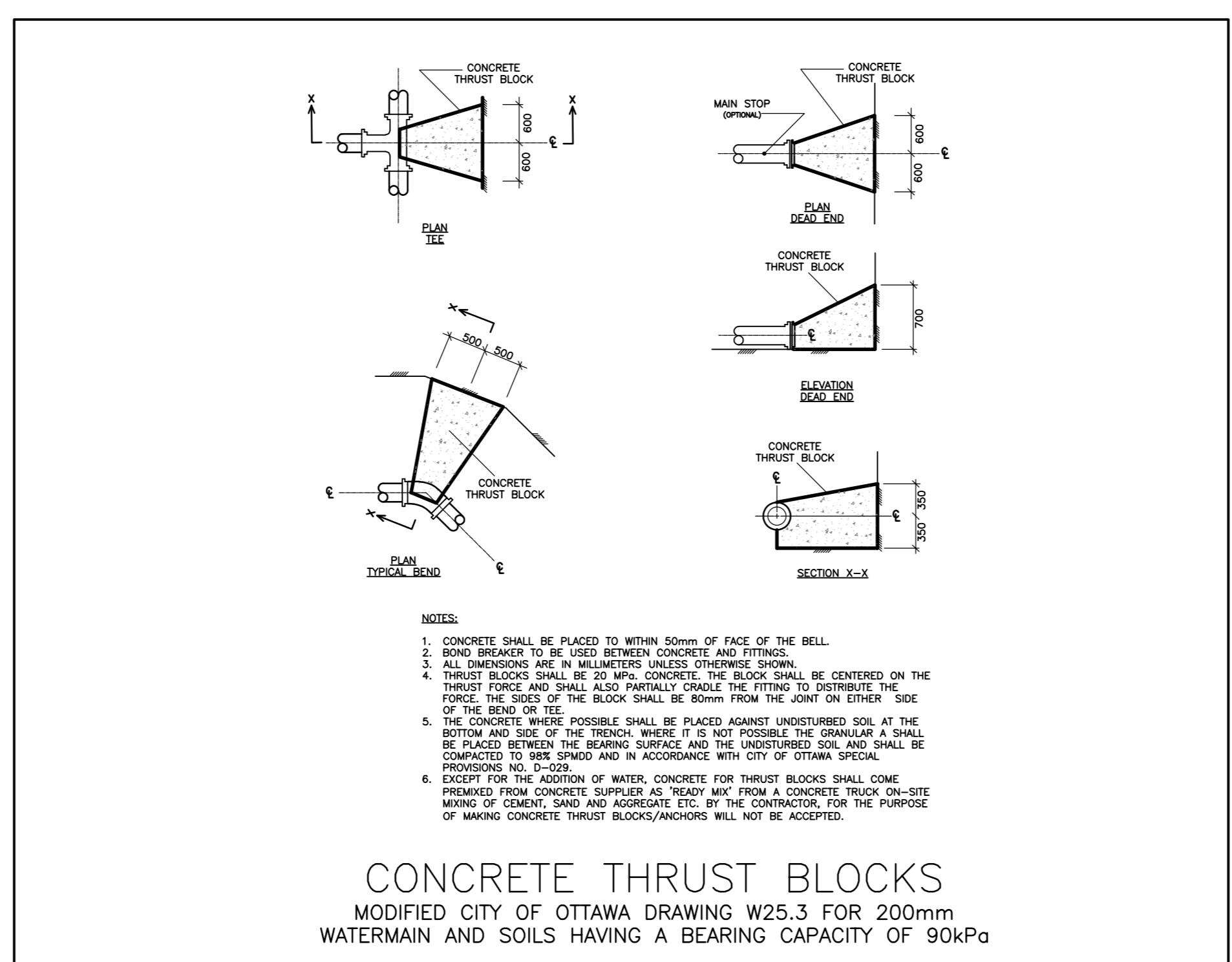
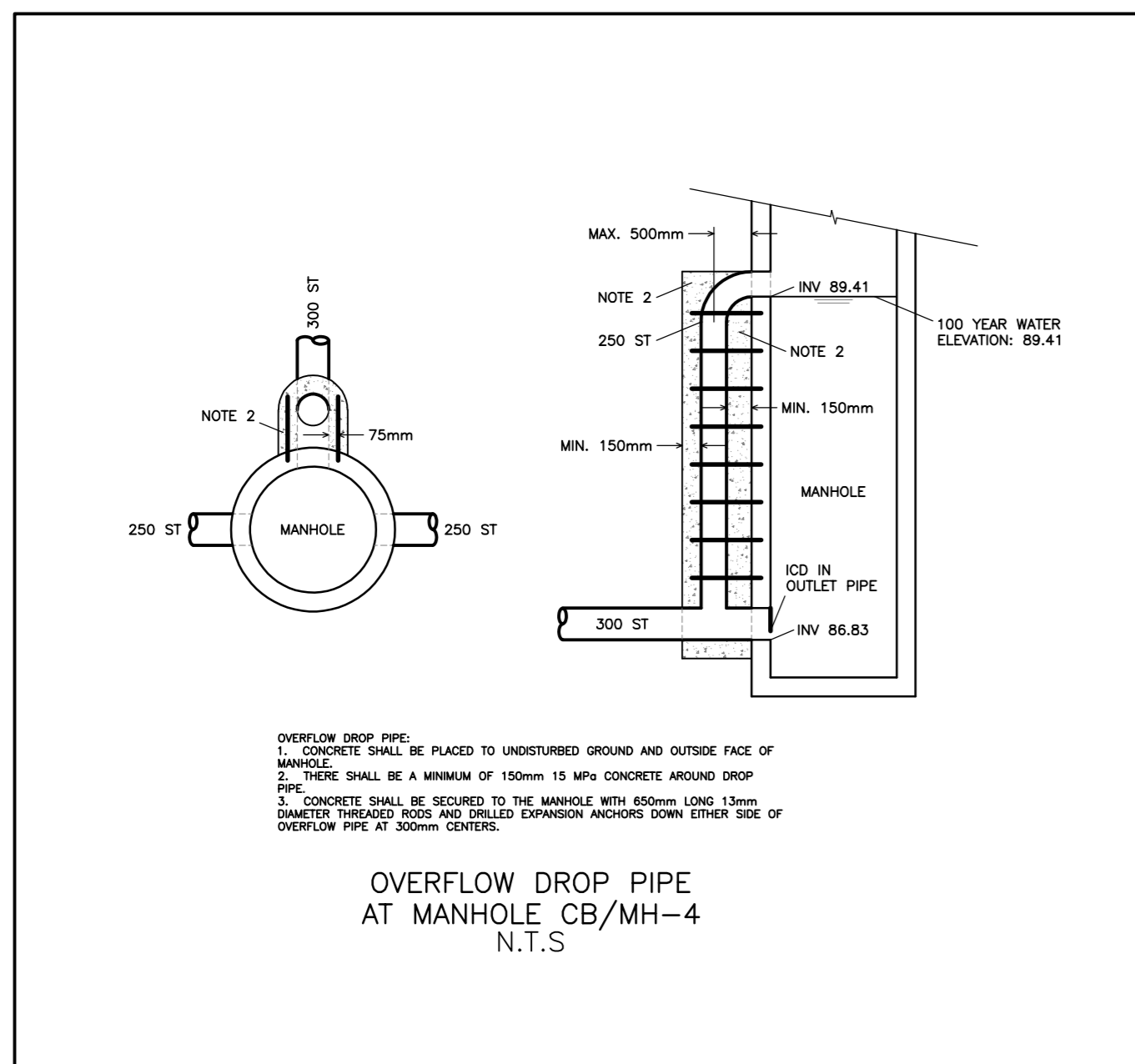
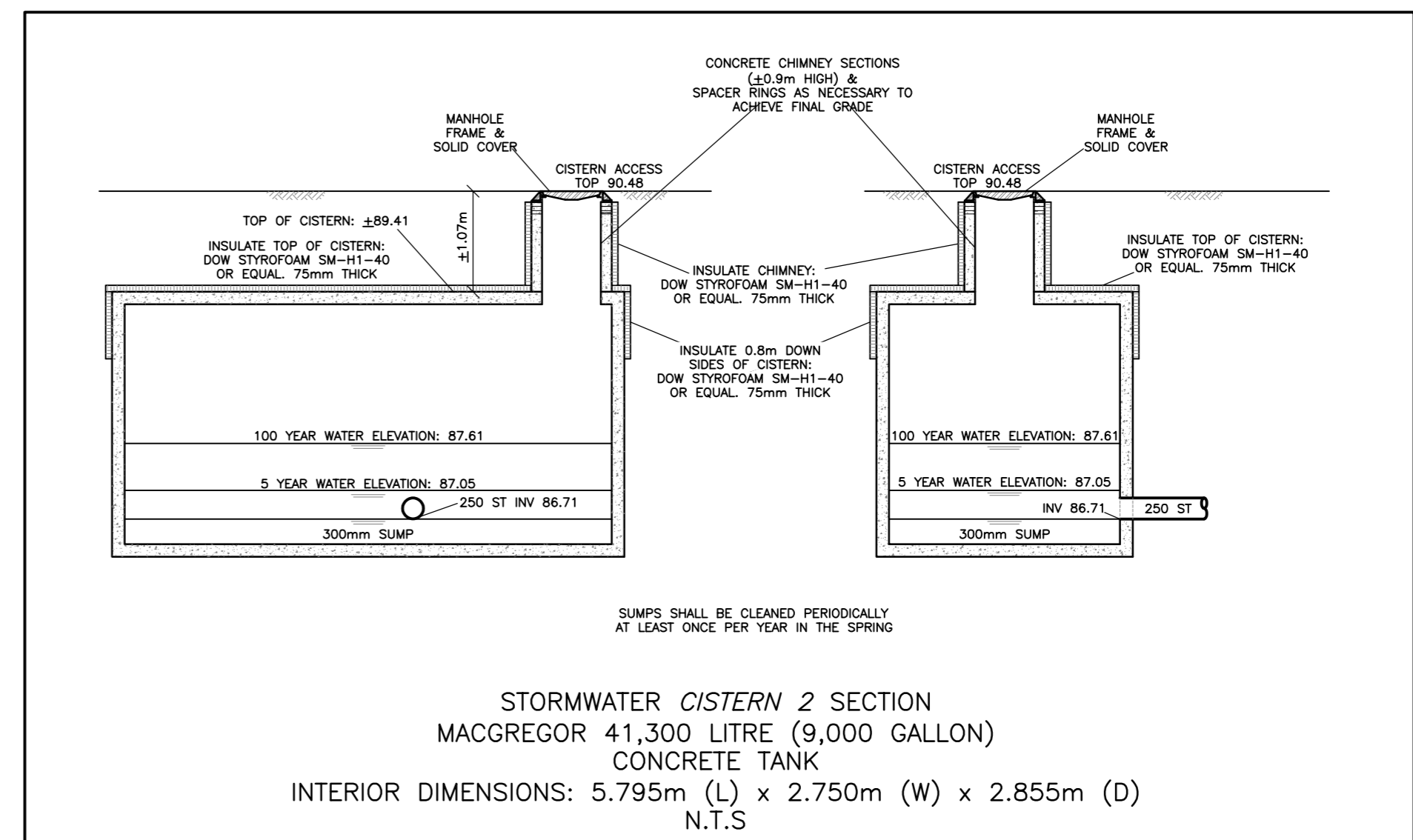
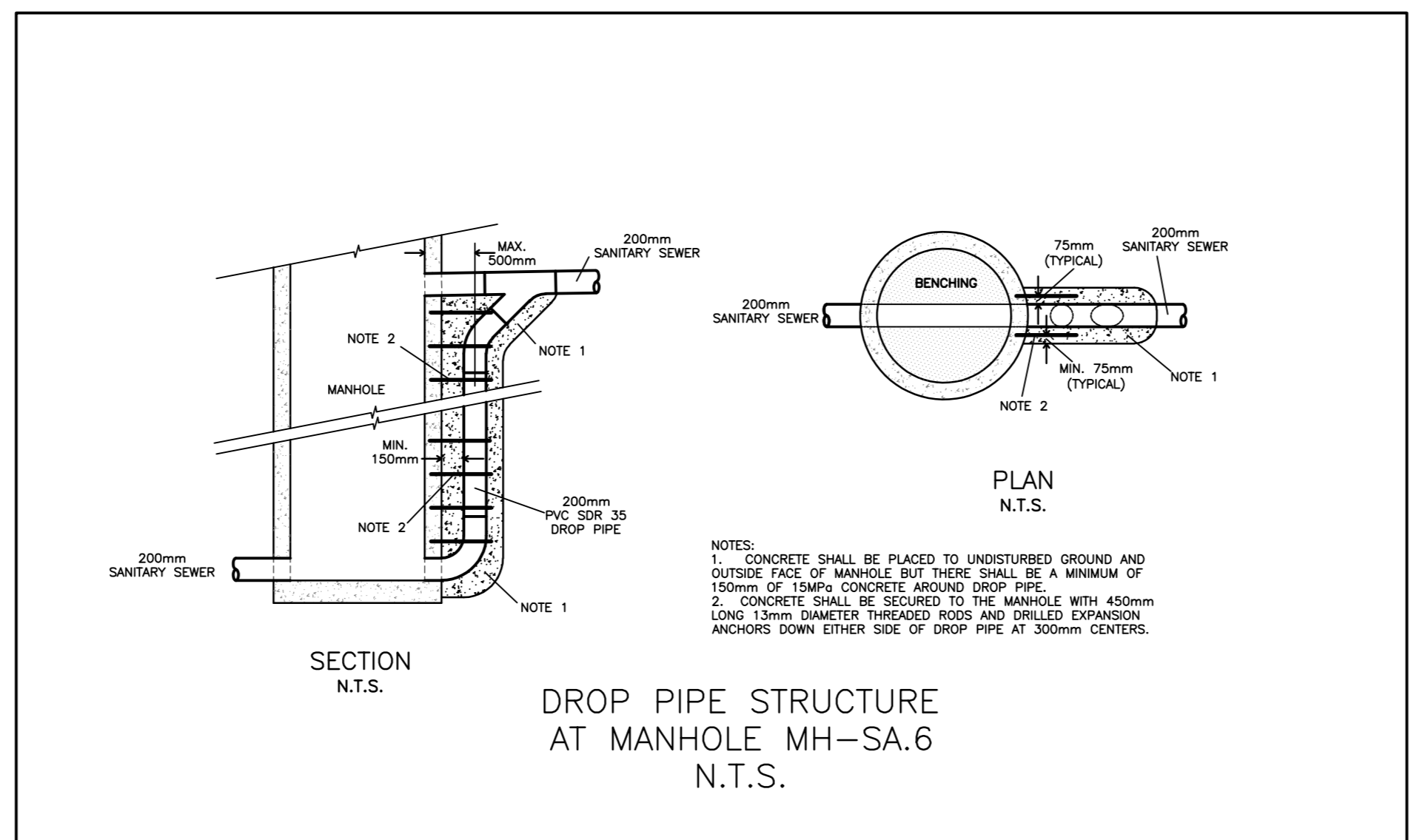
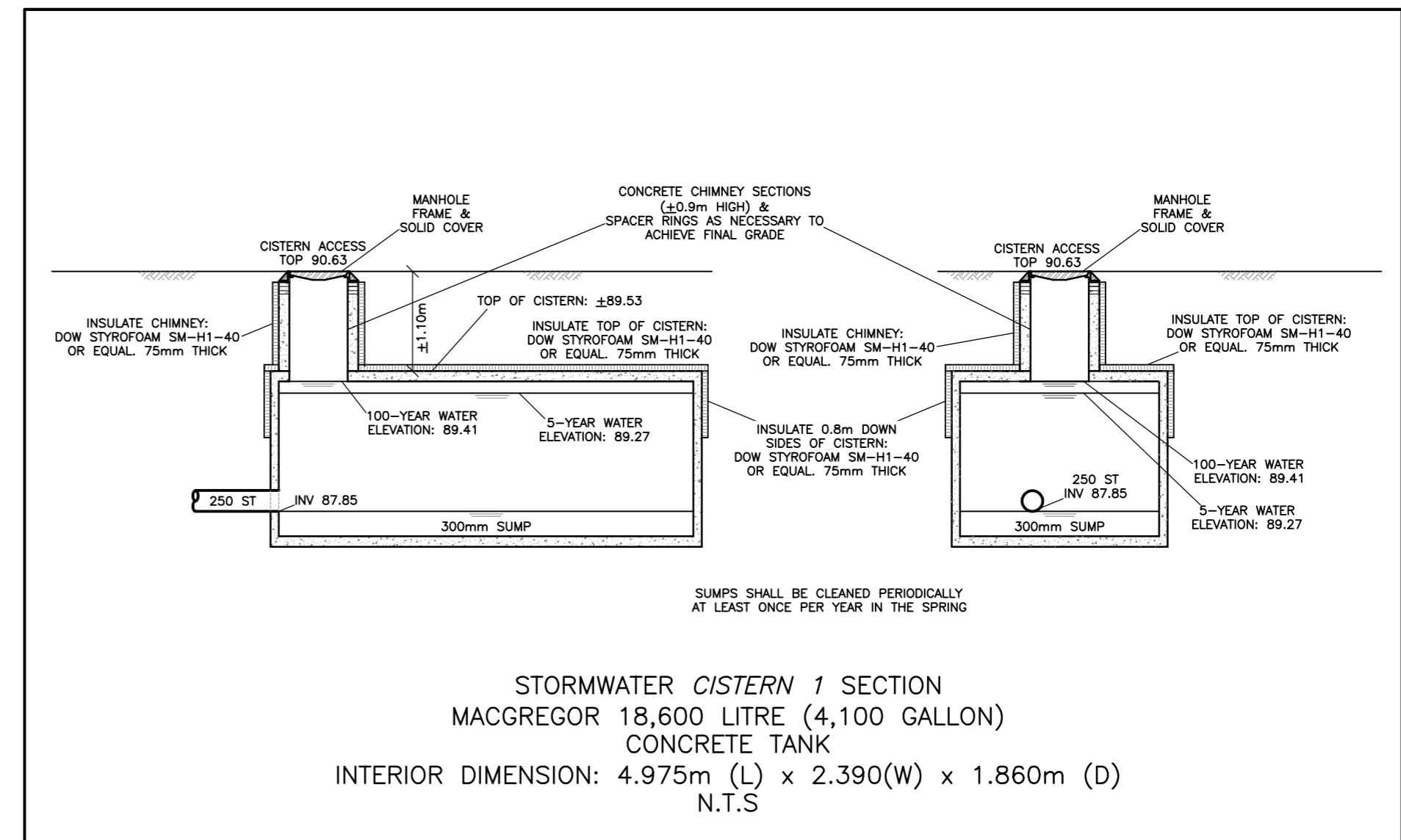
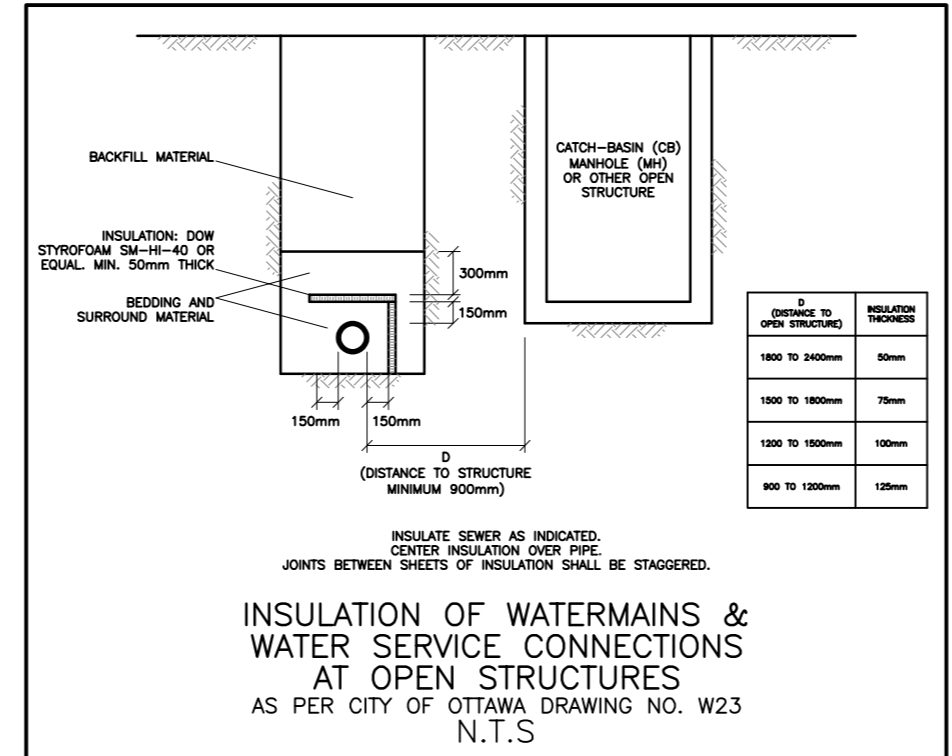
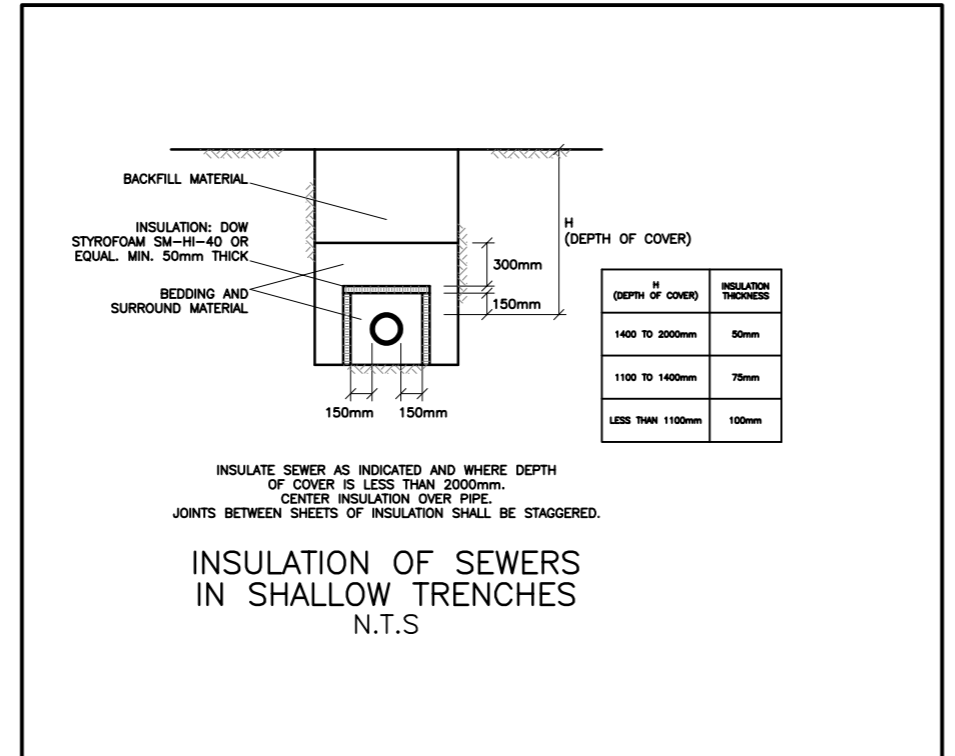
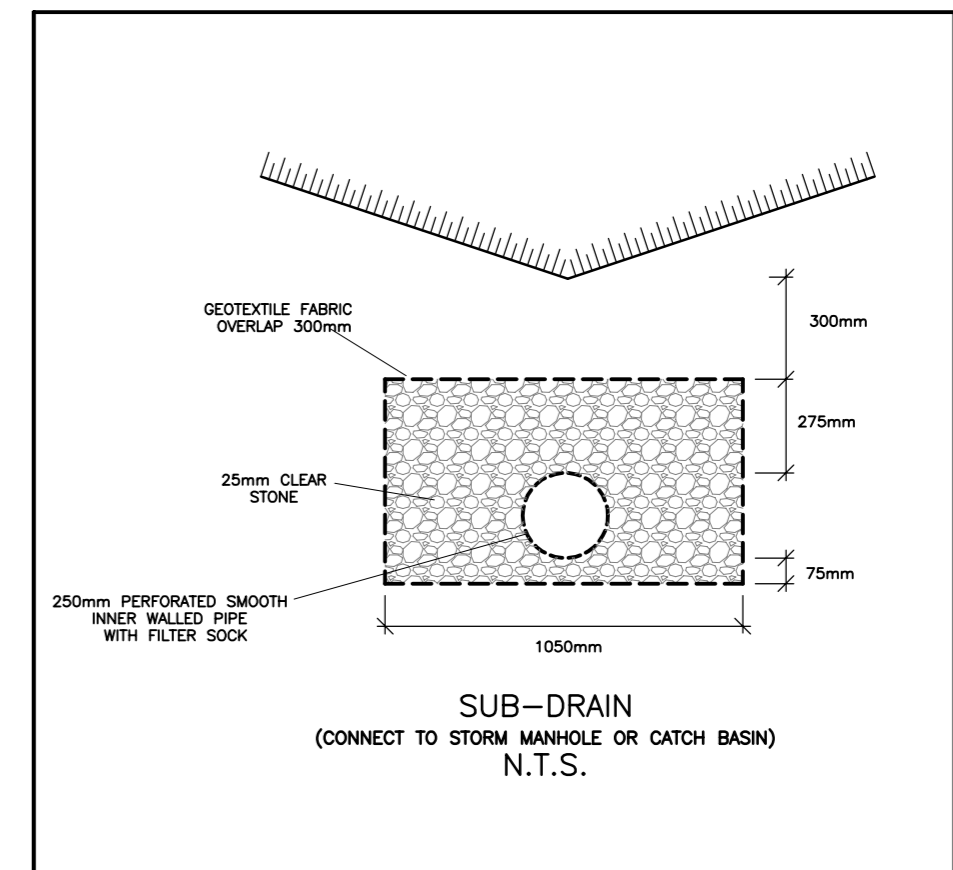
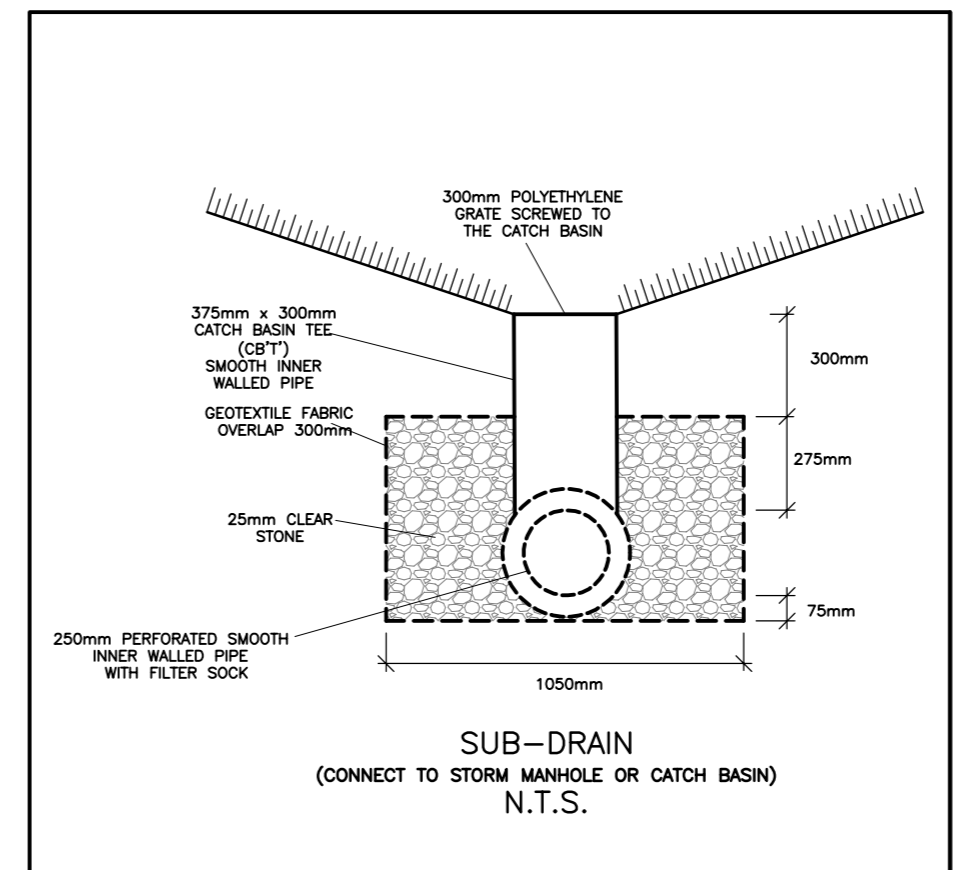
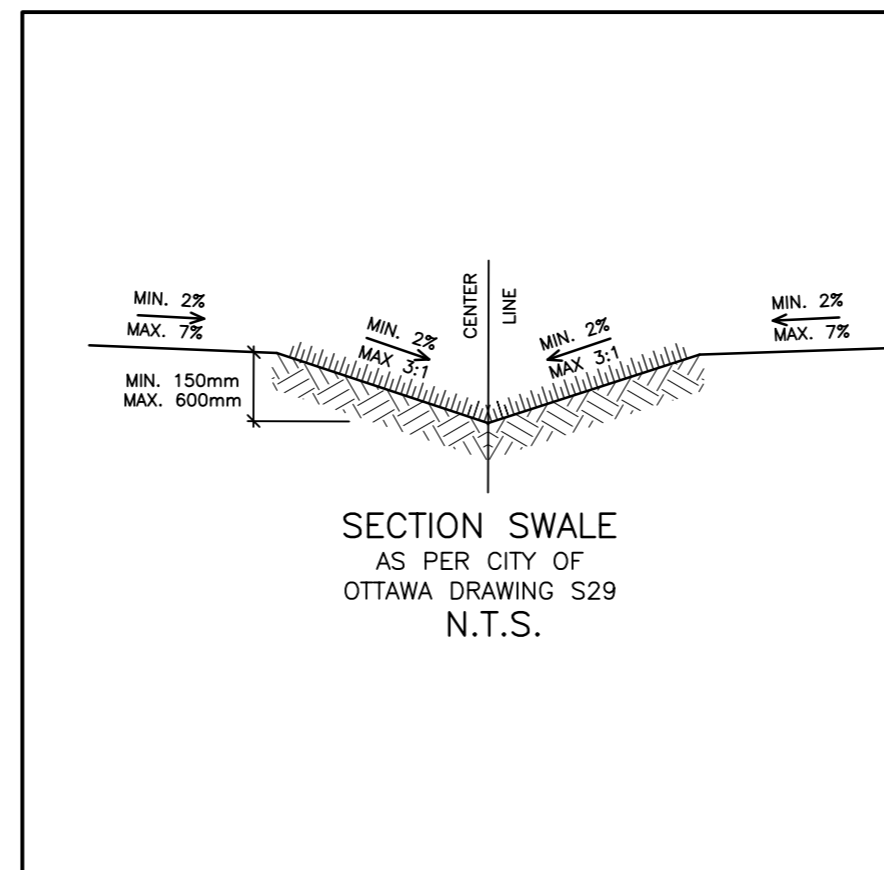
OWNER:  
 NIVO DEVELOPMENTS INC.  
 255 MICHAEL COWPLAND DRIVE  
 OTTAWA, ONTARIO, K2M 0M5  
 613-224-6200

**APPROVED**

By Adam Brown at 9:36 am, Aug 25, 2021



ADAM BROWN  
 MANAGER, DEVELOPMENT REVIEW - RURAL  
 PLANNING, INFRASTRUCTURE & ECONOMIC  
 DEVELOPMENT DEPARTMENT, CITY OF OTTAWA

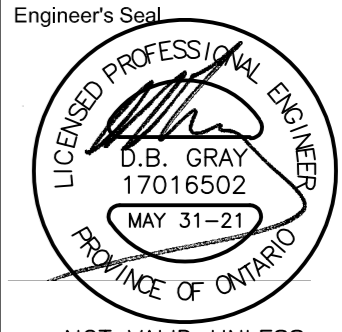


No.	DATE	REVISION
9	MAY 31-21	RE-ISSUED FOR APPROVAL
8	MAY 20-21	RE-ISSUED FOR APPROVAL
7	MAR 15-21	RE-ISSUED FOR APPROVAL
6	NOV 16-20	RE-ISSUED FOR APPROVAL
5	JUN 18-20	RE-ISSUED FOR APPROVAL
4	MAY 5-20	ISSUED FOR COORDINATION
3	SEP 27-19	RE-ISSUED FOR APPROVAL
2	AUG 9-19	ISSUED FOR APPROVAL
1	JUN 14-19	PRELIMINARY

**D. B. GRAY ENGINEERING INC.**  
 Stormwater Management - Grading & Drainage - Storm & Sanitary Sewers - Watermain  
 700 Long Point Circle 613-425-8044  
 Ottawa, Ontario d.gray@dbgrayengineering.com

Project  
**PROPOSED RESIDENTIAL DEVELOPMENT**  
 1164-1166 HIGHCROFT DR.  
 MANOTICK, ONTARIO

Drawing Title  
**DETAILS**

Engineer's Seal  
  
 D.B. GRAY  
 17016502  
 MAY 31-21  
 PROVINCE OF ONTARIO

Drawn D.B.G.  
 Hor. Scale 1:200  
 Vert. Scale  
 Date JUN 14-19  
 Job No. 18035

Drawing No.  
**C-8**  
 of 14

NOT VALID UNLESS SIGNED & DATED