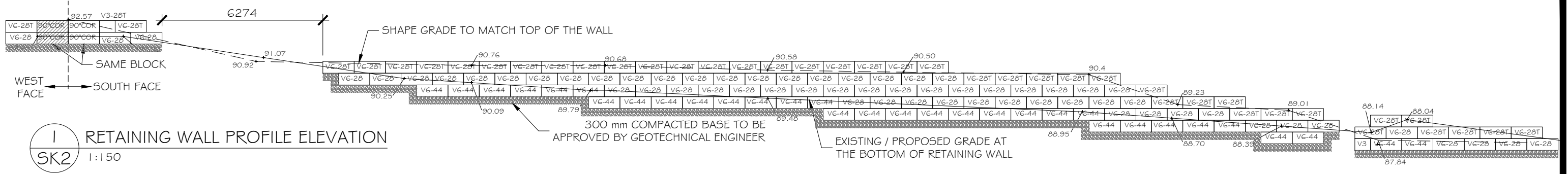


LEGEND

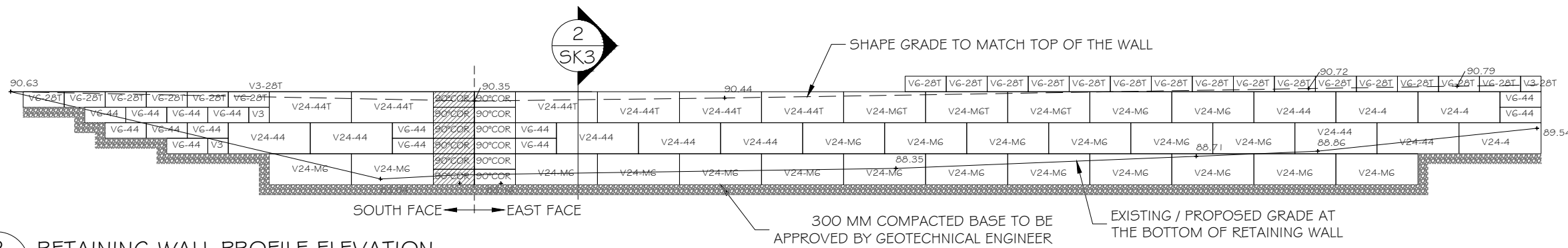
	R. C. RETAINING WALL TYPE A MAX HEIGHT 1.59 m - 1/5K4)
	R. C. RETAINING WALL TYPE B (MAX HEIGHT 1.35 m - 2/5K4)

1 SK1 RETAINING WALL LOCATION PLAN
1:300

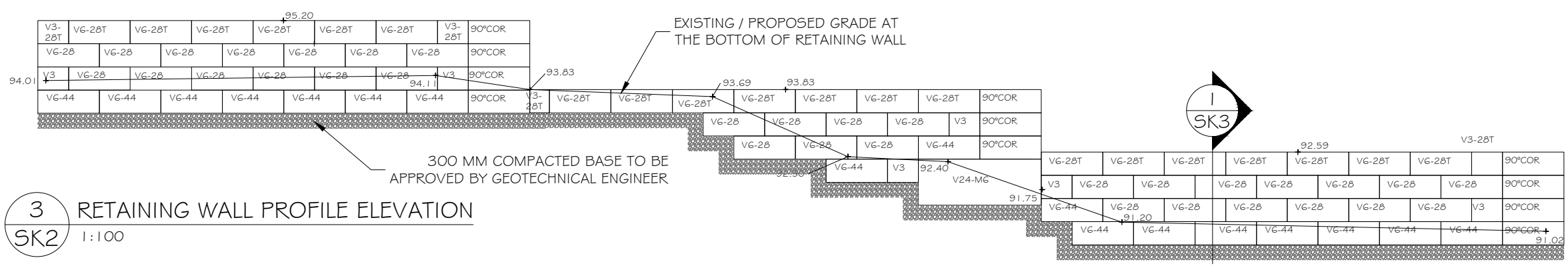
<p>FOR STRUCTURAL ONLY</p> <p>LAMPKIN Structural Services Ltd.</p> <p>34 - 5330 Canotek Rd. Ottawa, On. K1J 9C4 Phone: (613) 745-6437 Fax: (613) 745-9348</p>		<p>CLIENT NIVO DEVELOPMENTS INC.</p>		
		<p>PROJECT/TITLE 1164-1166 HIGCROFT DRIVE NEW RETAINING WALL</p>		
<p>DATE 27/05/2020 <small>dd/mm/yyyy</small></p>	<p>PROJECT# 20-14289</p>	<p>DESIGNED BY R.H.</p>	<p>DRAWN BY R.L.</p>	<p>DRAWING# SK1</p>



1 RETAINING WALL PROFILE ELEVATION
SK2 1:150

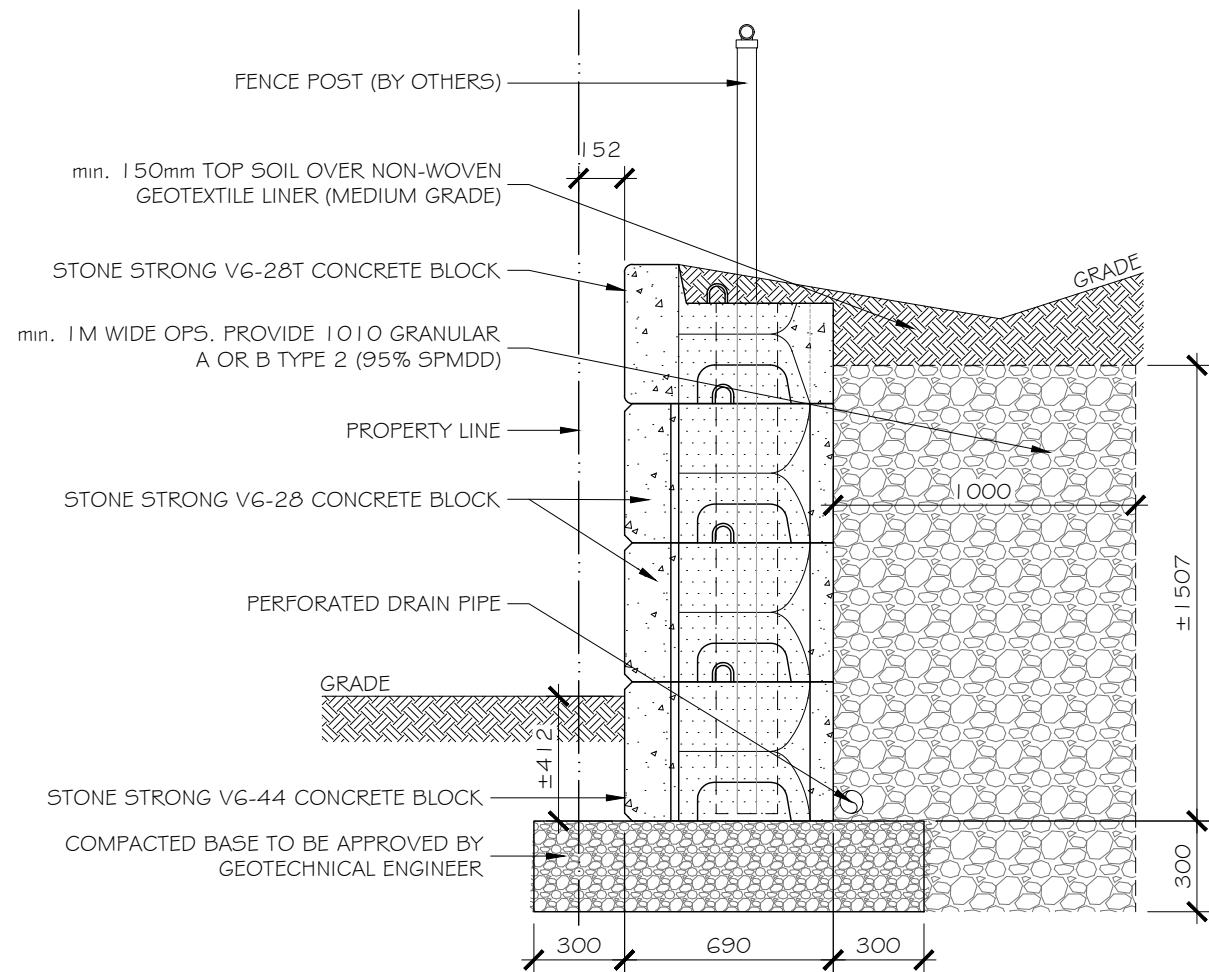


2 RETAINING WALL PROFILE ELEVATION
SK2 1:150

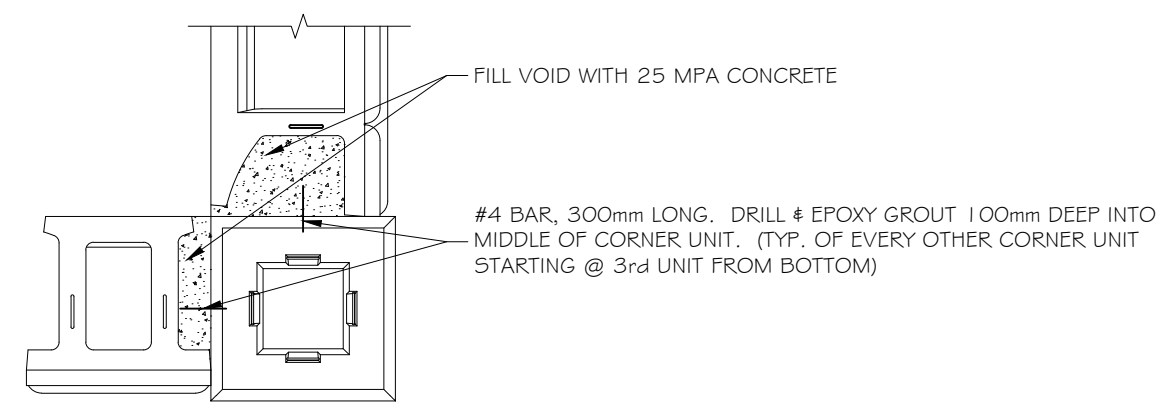


3 RETAINING WALL PROFILE ELEVATION
SK2 1:100

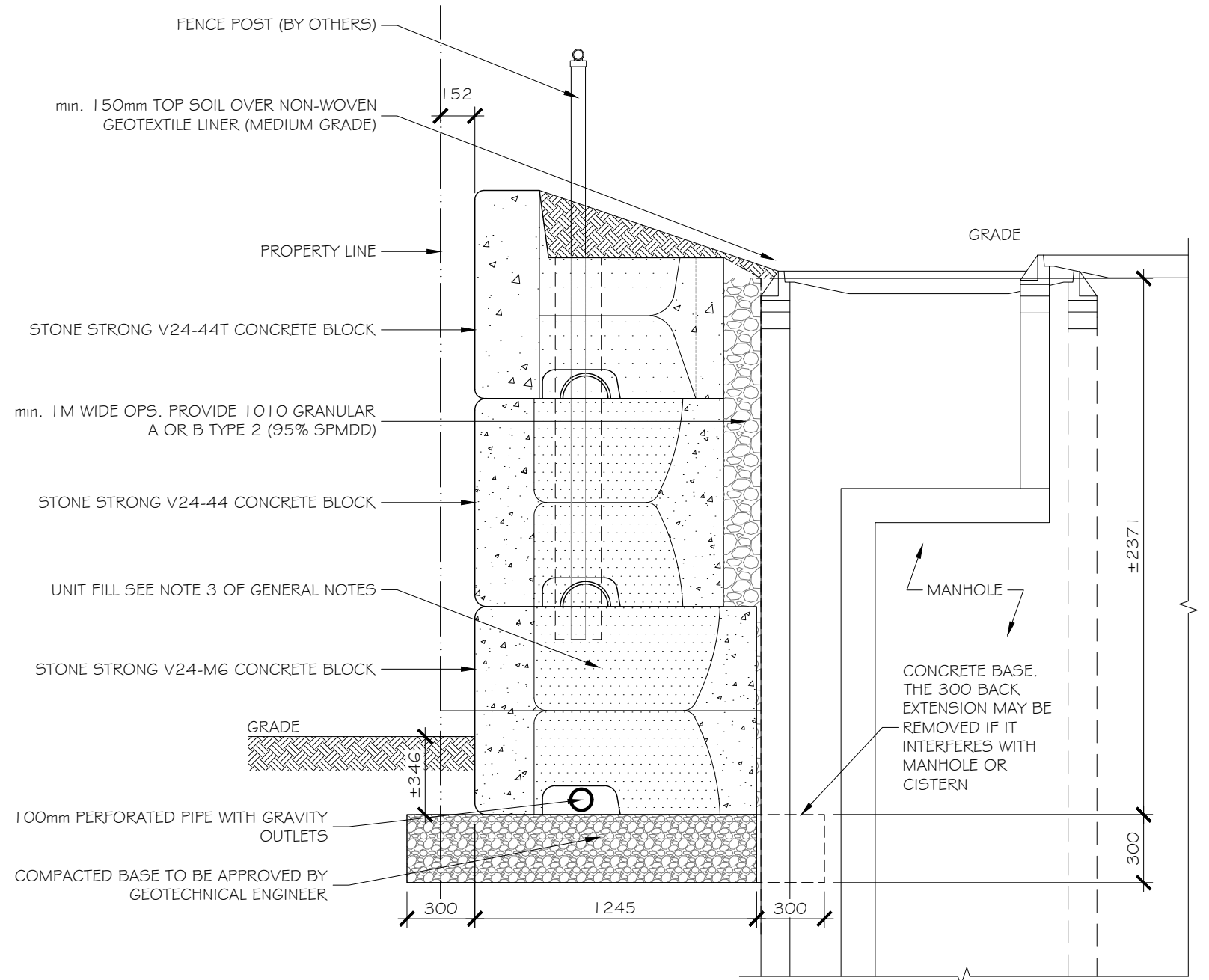
<p>FOR STRUCTURAL ONLY</p> <p>R. HASHEMIAN 100219333 27/05/2020 PROVINCE OF ONTARIO</p>		<p>LAMPKIN Structural Services Ltd.</p> <p>34 - 5330 Canotek Rd. Ottawa, On. K1J 9C4 Phone: (613) 745-6437 Fax: (613) 745-9348</p>		<p>CLIENT NIVO DEVELOPMENTS INC.</p>	
		<p>DATE 27/05/2020 dd/mm/yyyy</p>		<p>PROJECT# 20-14289</p>	
		DESIGNED BY R.H.	DRAWN BY R.L.	DRAWING# SK2	



1 STONE STRONG RETAINING WALL CROSS SECTION 1
SK3 1:25

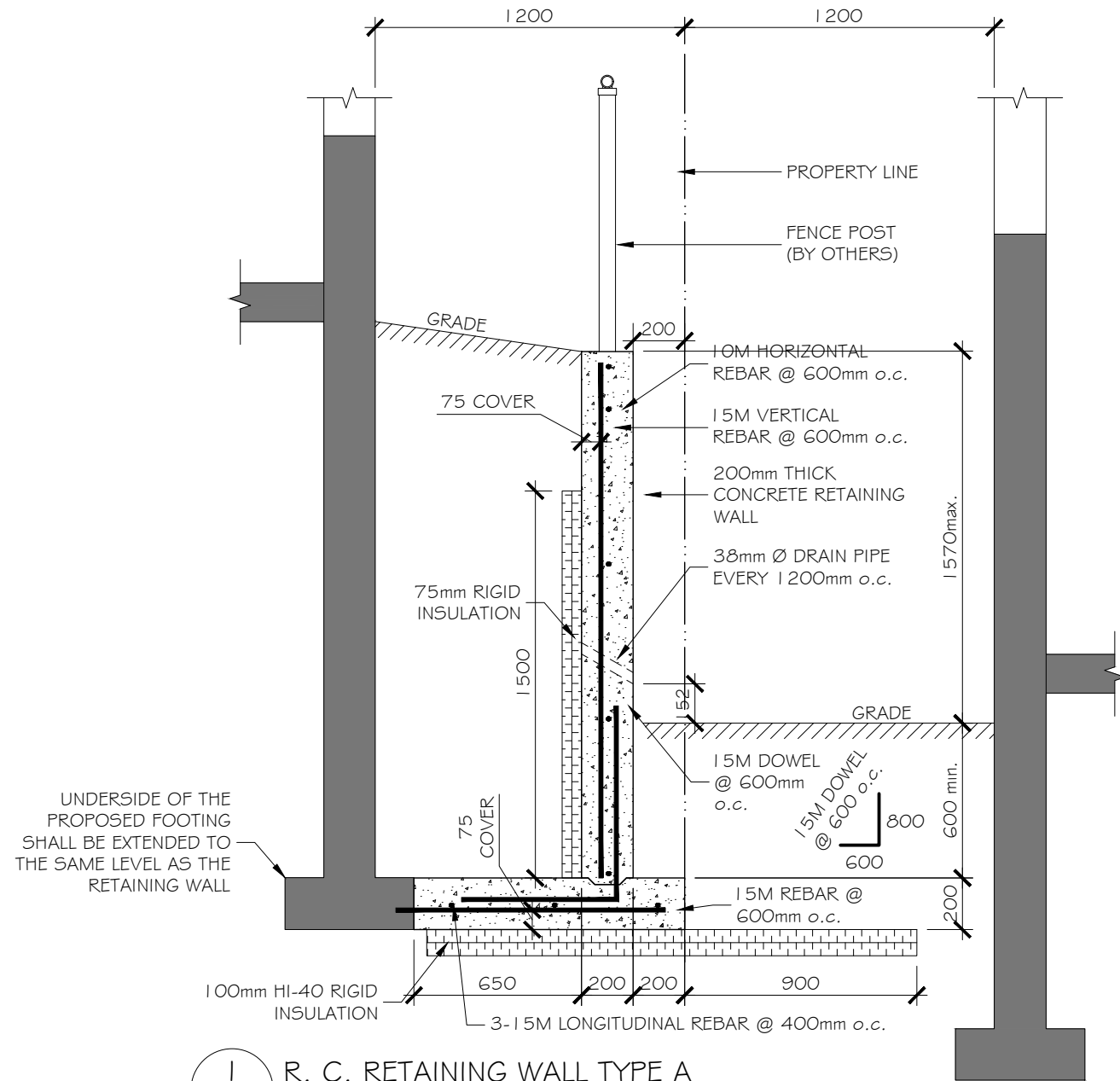


3 90° CORNER TIEBACK
SK3 N.T.S.

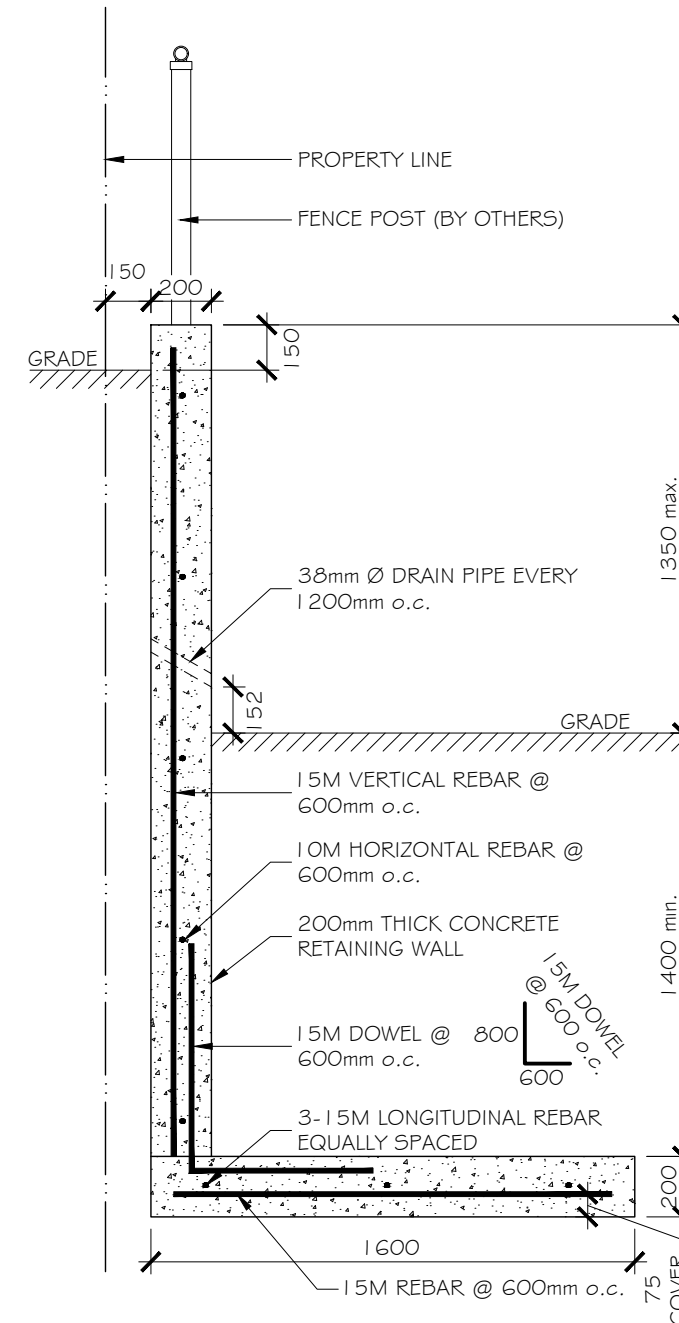


2 STONE STRONG RETAINING WALL CROSS SECTION 2
SK3 1:25

FOR STRUCTURAL ONLY		 LAMPKIN Structural Services Ltd.		CLIENT NIVO DEVELOPMENTS INC.	
		34 - 5330 Canotek Rd. Ottawa, On. K1J 9C4 Phone: (613) 745-6437 Fax: (613) 745-9348		PROJECT/TITLE 1164-1166 HIGCROFT DRIVE NEW RETAINING WALL	
DATE 27/05/2020 <small>dd/mm/yyyy</small>	PROJECT# 20-14289	DESIGNED BY R.H.	DRAWN BY R.L.	DRAWING# SK3	

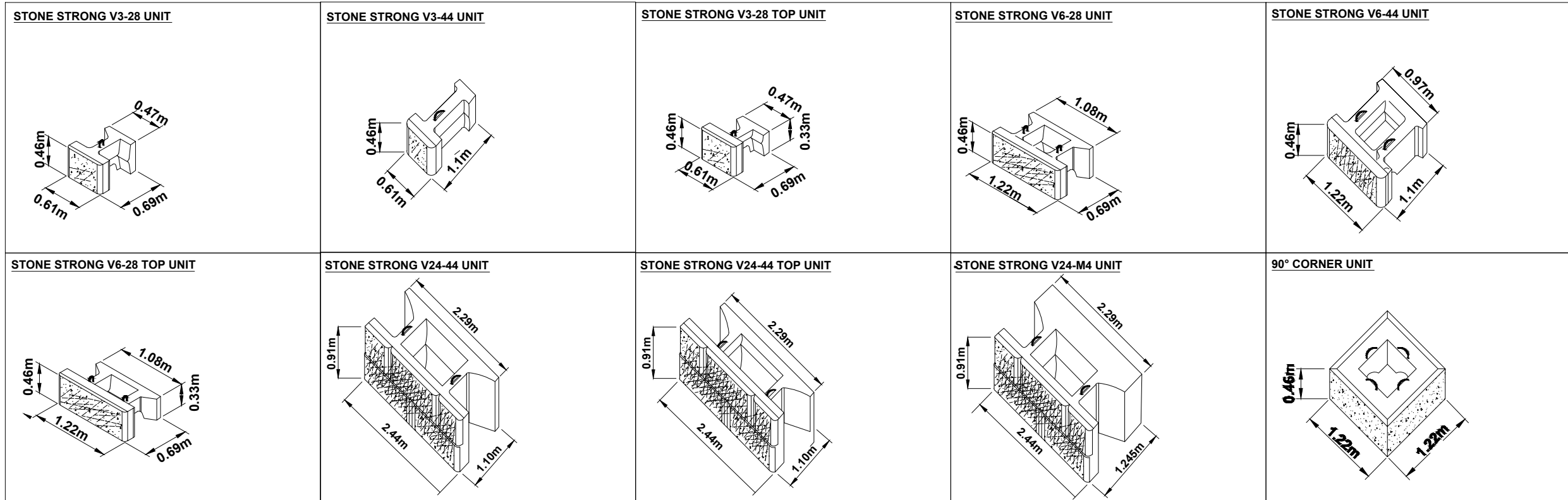


1 R.C. RETAINING WALL TYPE A
SK4 1:25



2 R.C. RETAINING WALL TYPE B
SK4 1:25

	FOR STRUCTURAL ONLY LAMPKIN Structural Services Ltd. 34 - 5330 Canotek Rd. Ottawa, On. K1J 9C4 Phone: (613) 745-6437 Fax: (613) 745-9348		CLIENT NIVO DEVELOPMENTS INC.		
	DATE 27/05/2020 <small>dd/mm/yyyy</small>		PROJECT# 20-14289		PROJECT/TITLE 1164-1166 HIGCROFT DRIVE NEW RETAINING WALL
DESIGNED BY R.H.		DRAWN BY R.L.	DRAWING# SK4		

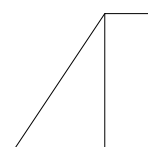


I INDIVIDUAL UNITS VIEW
SK5 N.T.S.

GENERAL NOTES:

1) ANY DEVIATION FROM CONDITIONS SHOWN ON THESE DRAWINGS, SHALL BE REPORTED TO THE ENGINEER.

2) DESIGN LOADS:



SOIL PRESSURE $K_p=3.0$
 $K_a=.33$
 $=20\text{kN/m}^3$

SURCHARGE (q) = 3.6 kPa

LATERAL LOAD = 0.75 kN/m ON FENCE (LL)

FACTOR OF SAFETY: 1.5

SEISMIC:

PEAK GROUND ACCELERATION = 0.28g
 SITE CLASS D

3) MATERIALS:

- A) CONCRETE STRENGTH AT 28 DAYS TO BE 28 MPa w/ 5% TO 8% AIR ENTRAINMENT.
- B) REINFORCING STEEL TO BE DEFORMED TYPE $F_y = 400\text{ Mpa}$
- C) UNIT FILL SHALL BE CLEAN COURSE GRANULAR MATERIAL. UNIT FILL SHALL FILL CAVITIES WITHIN AND BETWEEN THE UNITS

D) STONE STRING (S. S.) BLOCKS AS SHOWN IN SECTION DETAILS.

4) ALL WORK TO BE CONDUCTED IN ACCORDANCE WITH THE ONTARIO BUILDING CODE (2012).

5) ALL CONCRETE WORK TO BE CONDUCTED IN ACCORDANCE WITH CSA A23.3-19.

6) SOIL BEARING TO BE 90kPa AS PER GEOTECHNICAL REPORT DATED FEB. 22, 2019 BY LRL ASSOCIATES LTD.

7) SITE REVIEW OF STRUCTURAL ITEMS, AS NOTED ON THESE DRAWINGS, SHALL BE COORDINATED WITH LAMPKIN STRUCTURAL SERVICES LTD. THROUGH THE DURATION OF THE PROJECT.

8) PROVIDE 75mm CONCRETE COVER FOR REBAR

9) min. LAP LENGTH TO BE 800mm FOR 15M Φ 500mm FOR 10M.

<p>FOR STRUCTURAL ONLY</p>	<p>LAMPKIN Structural Services Ltd.</p> <p>34 - 5330 Canotek Rd. Ottawa, On. K1J 9C4 Phone:(613) 745-6437 Fax: (613) 745-9348</p>	<p>CLIENT NIVO DEVELOPMENTS INC.</p>	
	<p>DATE 27/05/2020 <small>dd/mm/yyyy</small></p>	<p>PROJECT# 20-14289</p>	<p>PROJECT/TITLE 1164-1166 HIGCROFT DRIVE NEW RETAINING WALL</p>
	<p>DESIGNED BY R.H.</p>	<p>DRAWN BY R.L.</p>	<p>DRAWING# SK5</p>