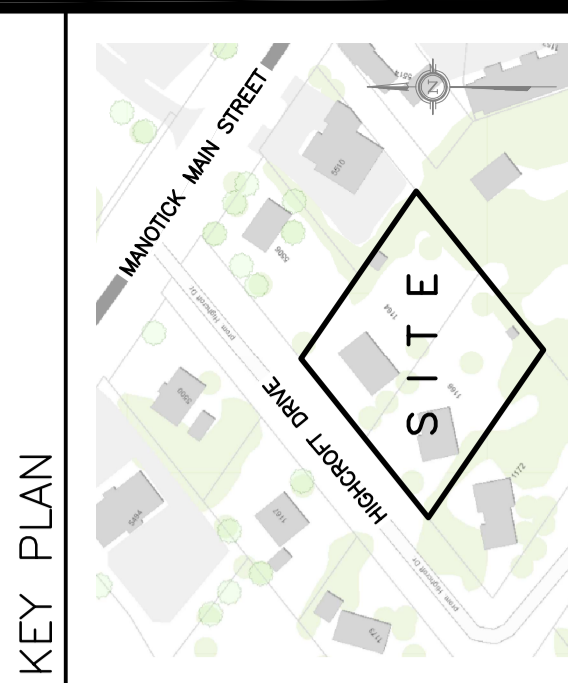
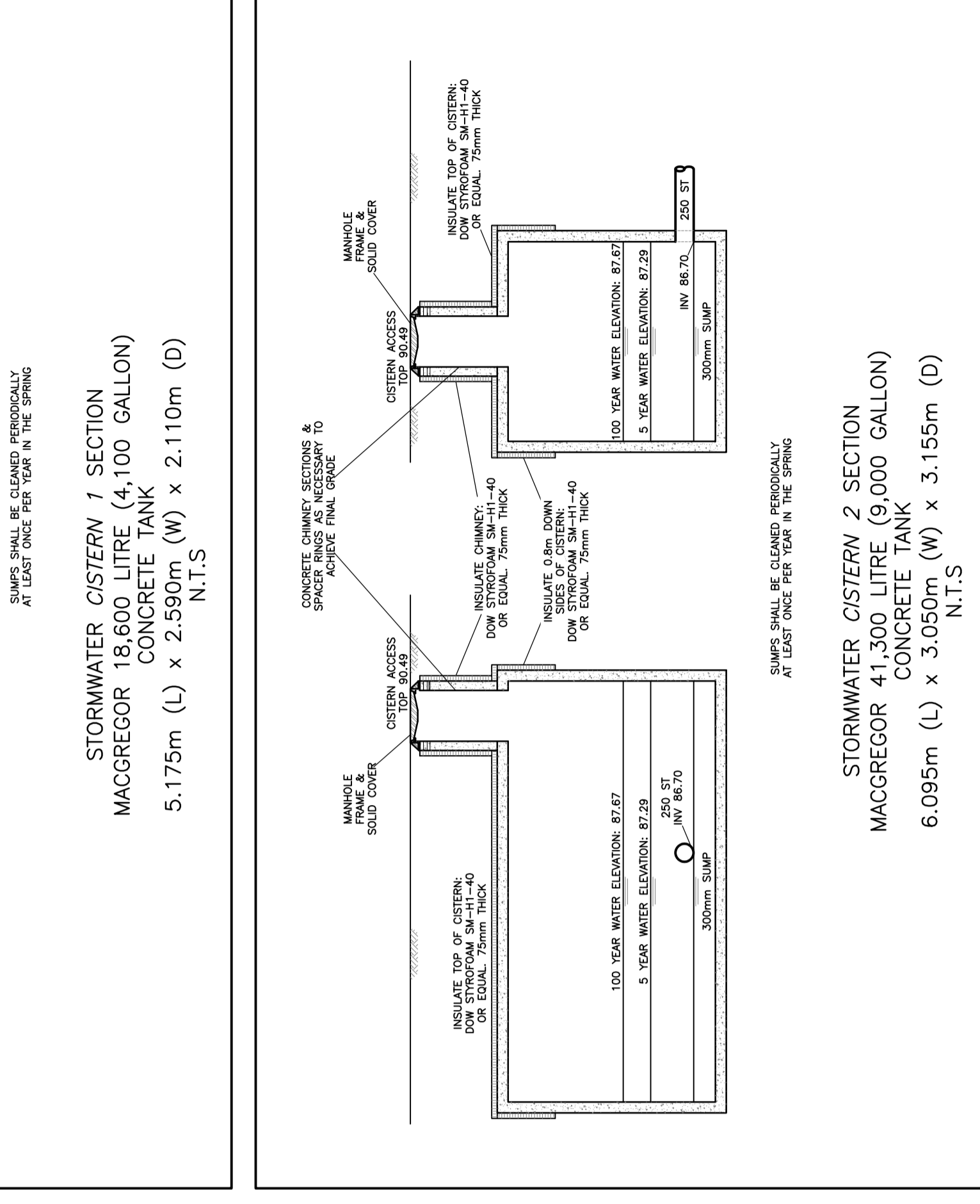
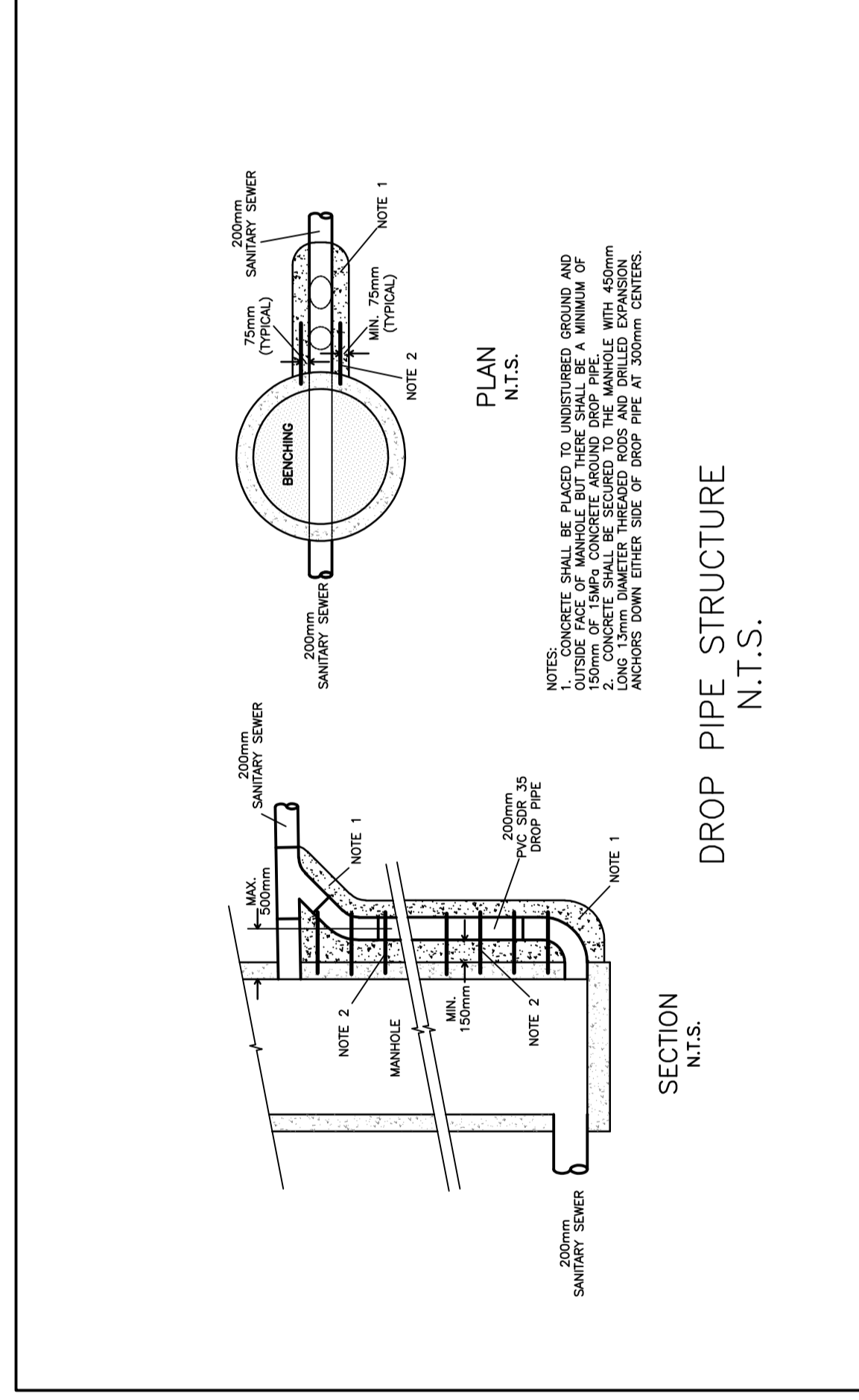
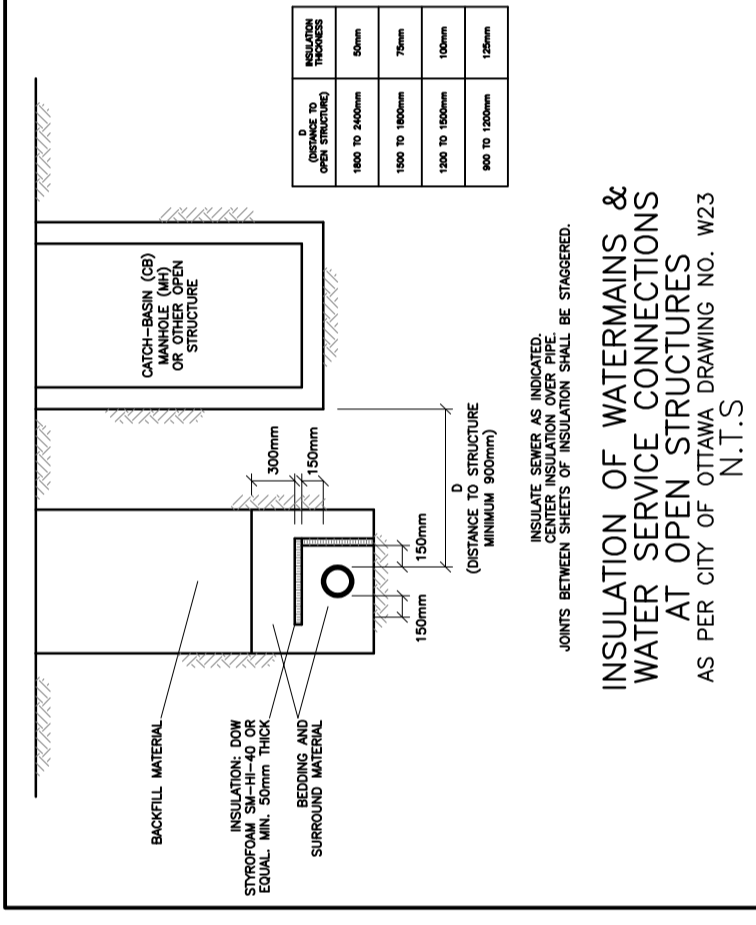
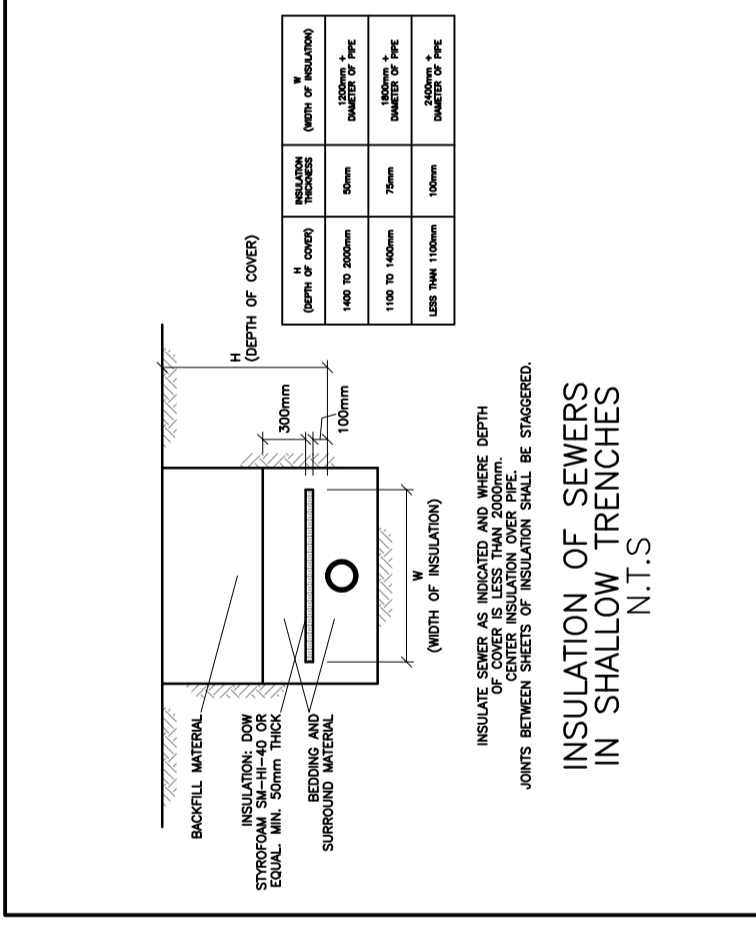
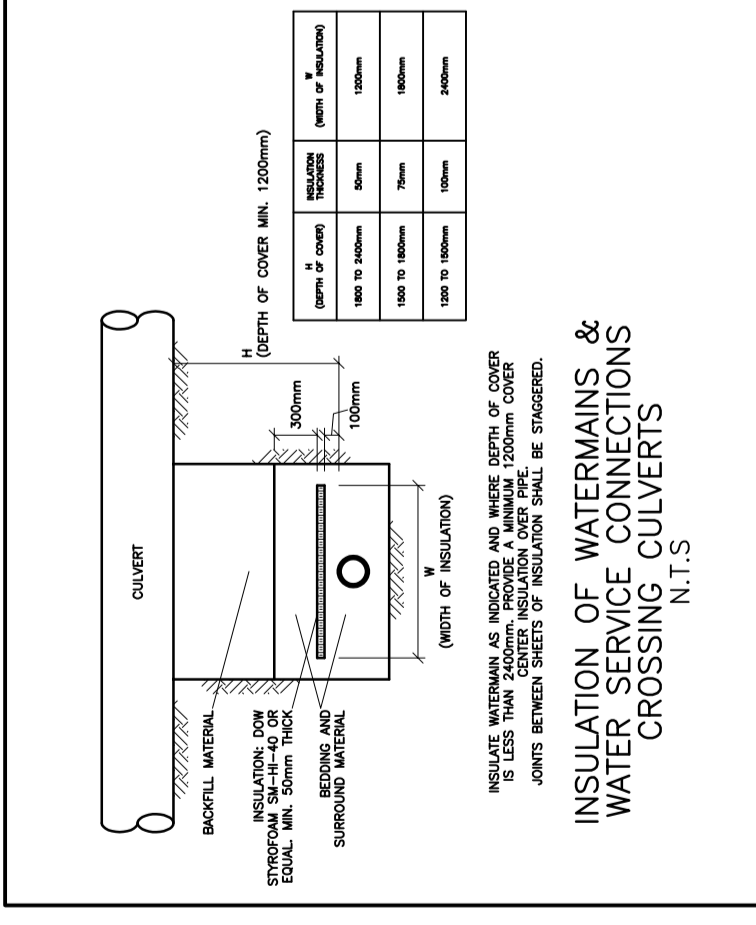
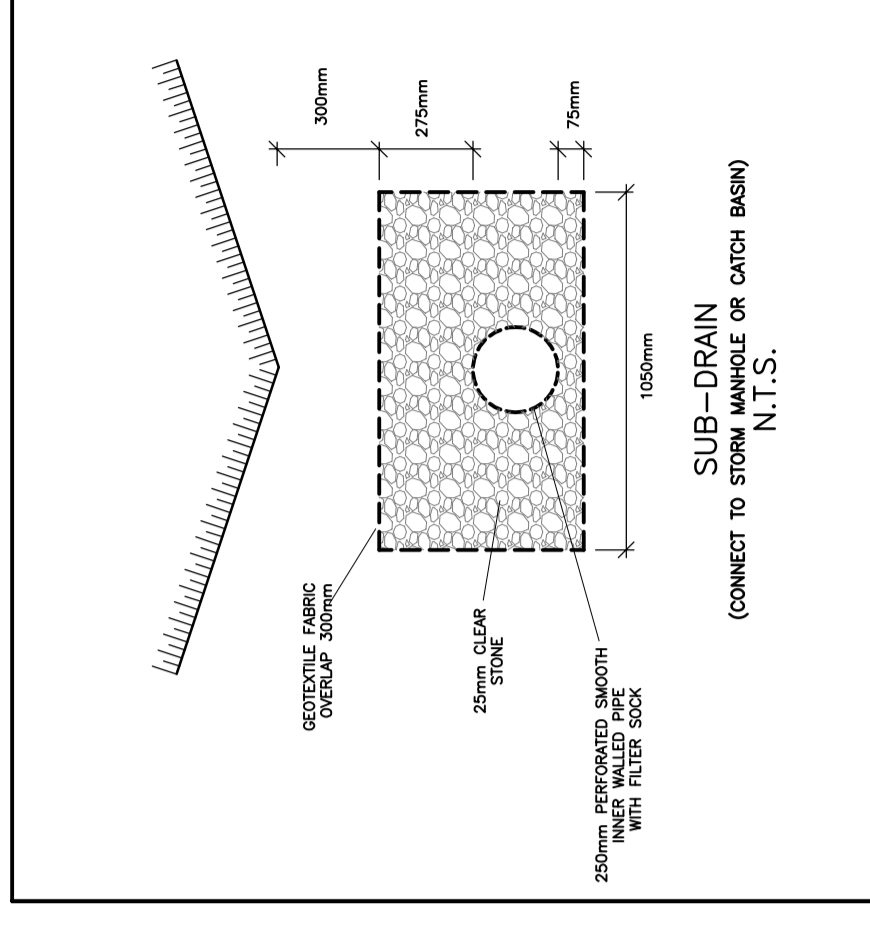
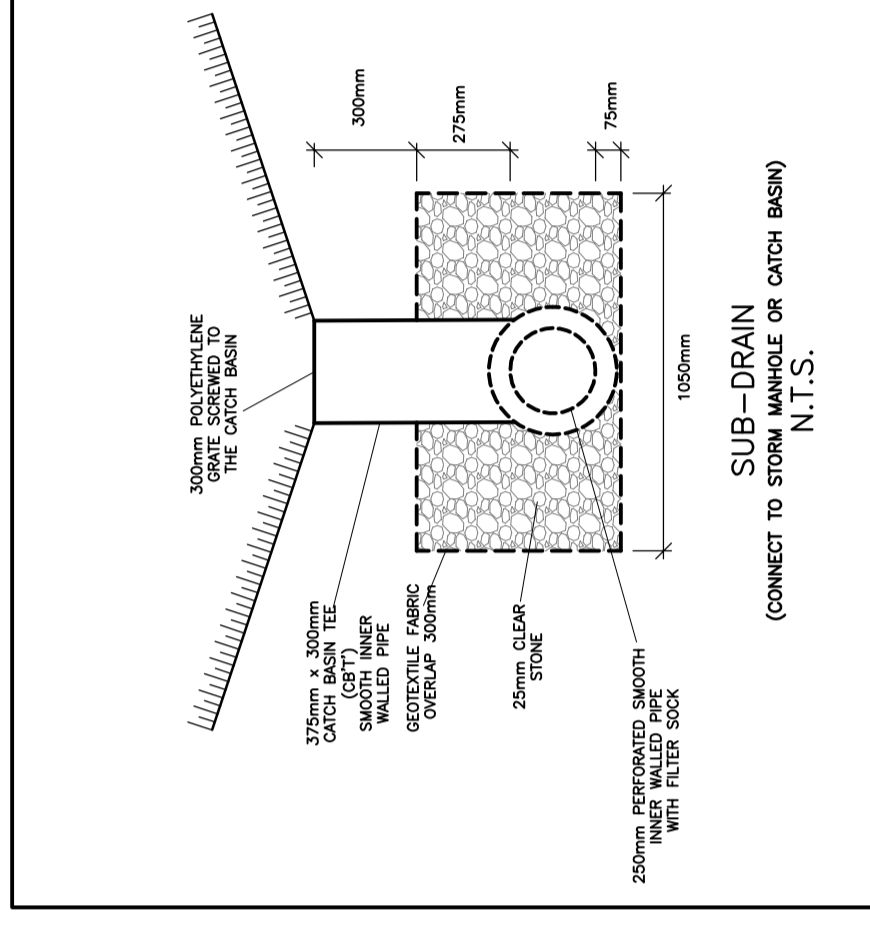
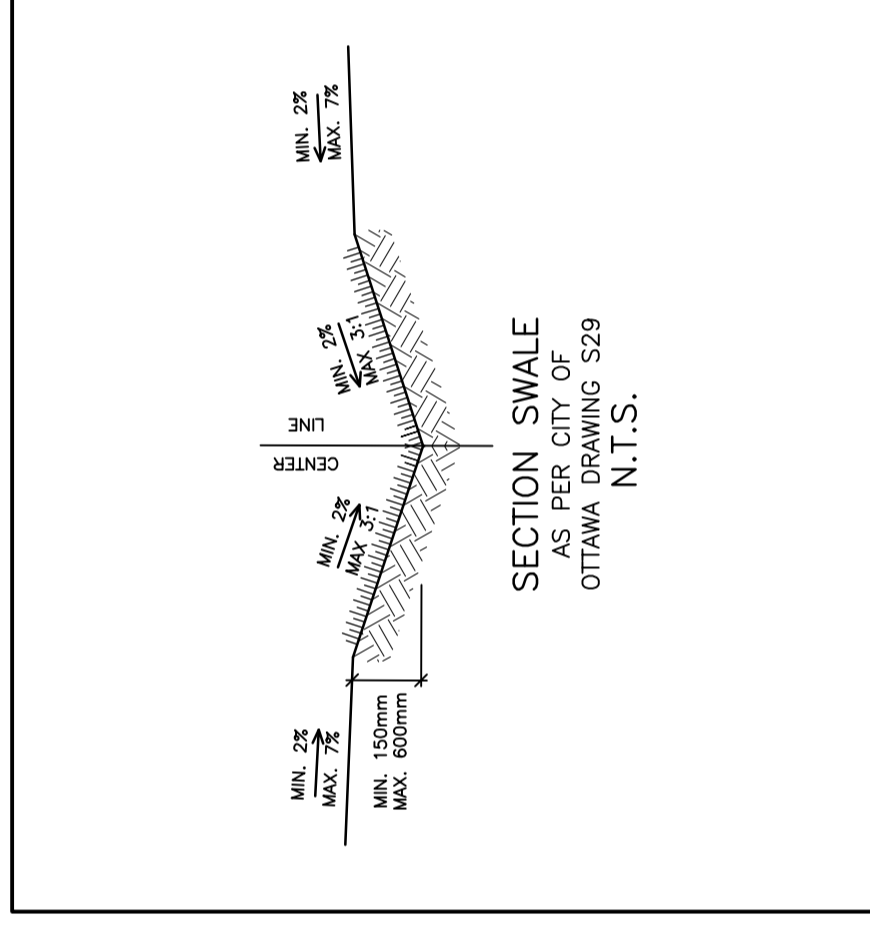


OWNER:
 NIVO DEVELOPMENTS INC.
 255 MICHAEL COMPLAND DRIVE
 OTTAWA, ONTARIO, K2M 0M5
 613-224-6200



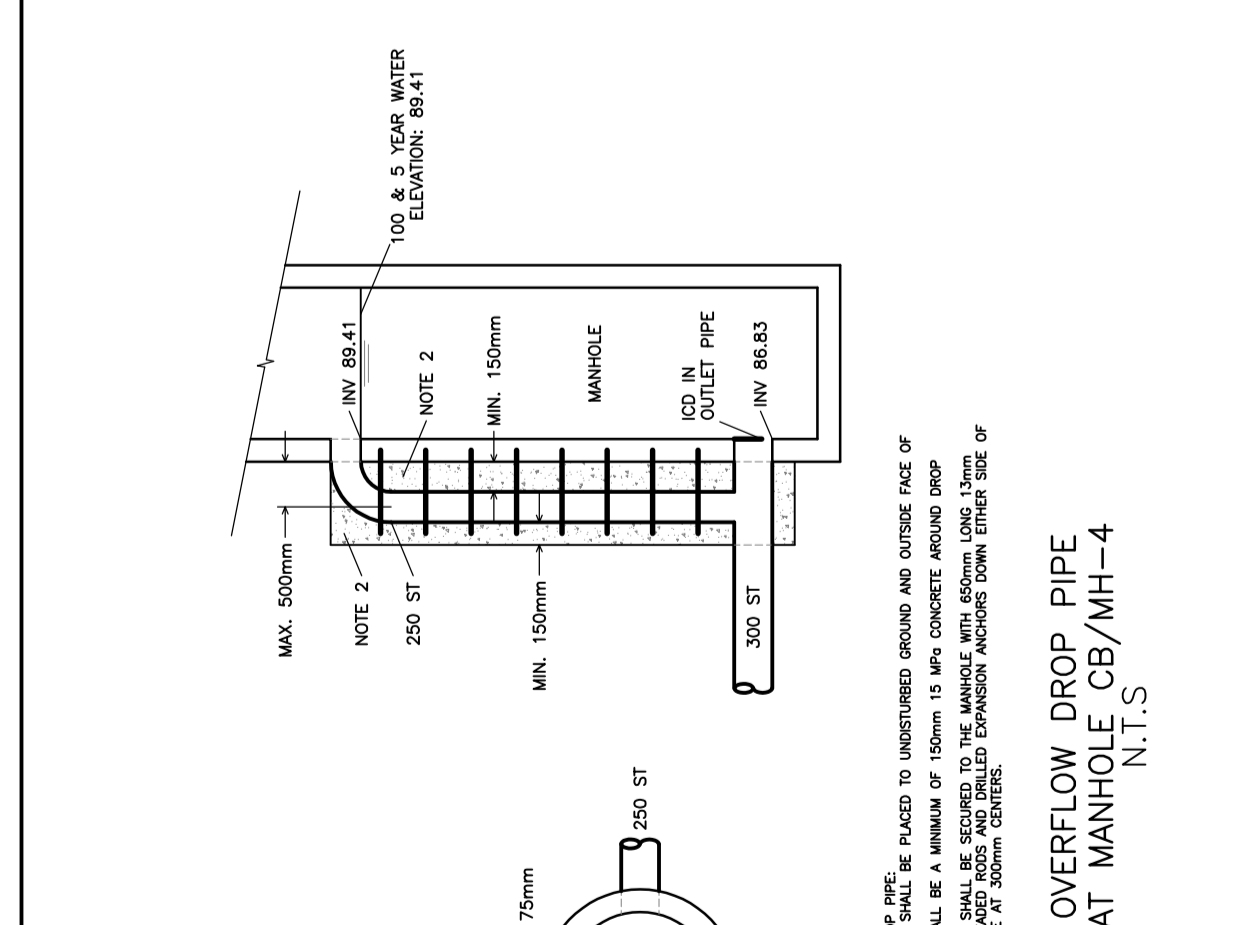
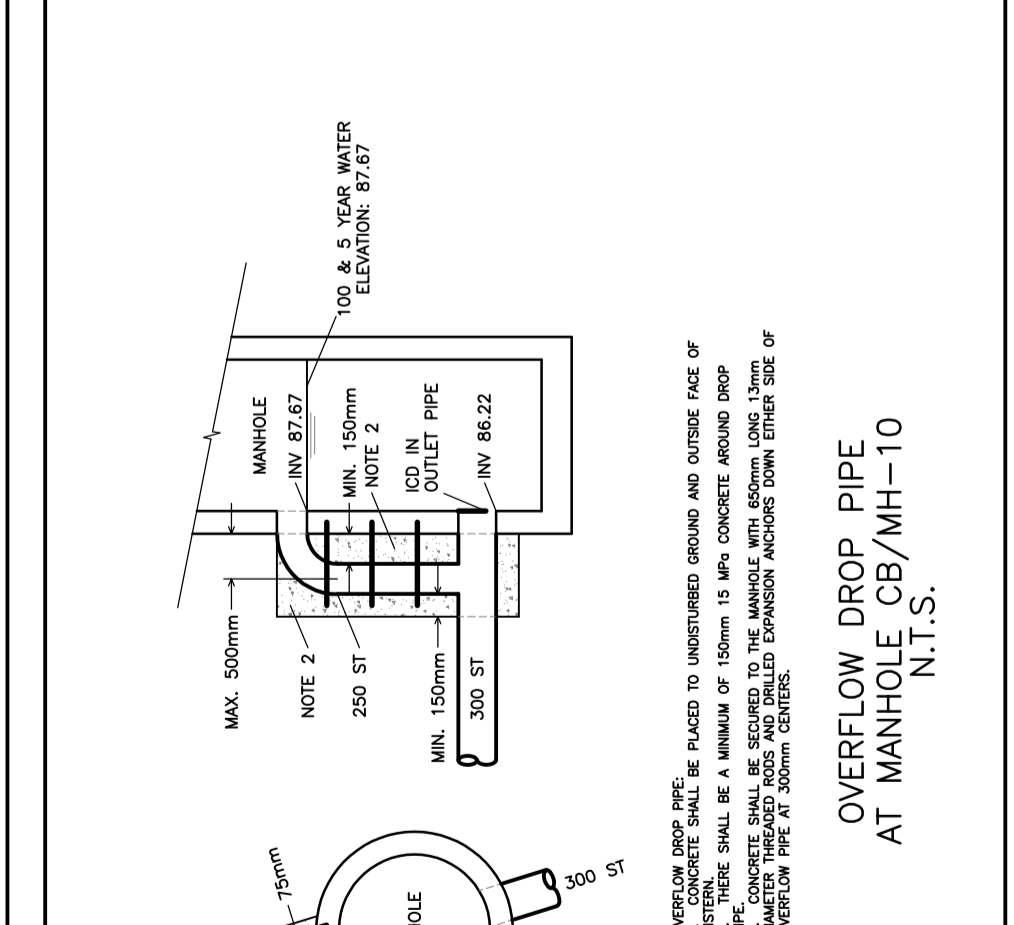
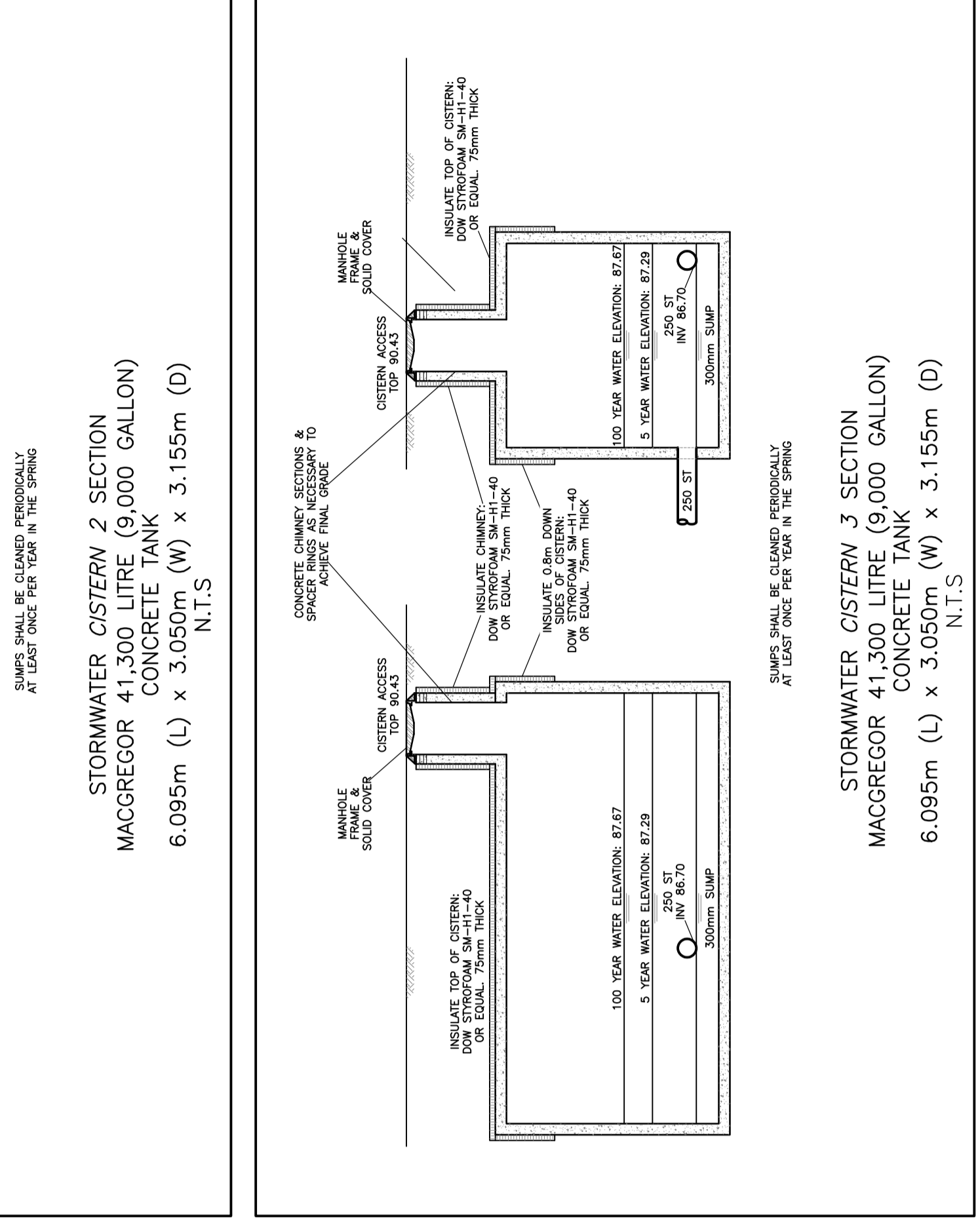
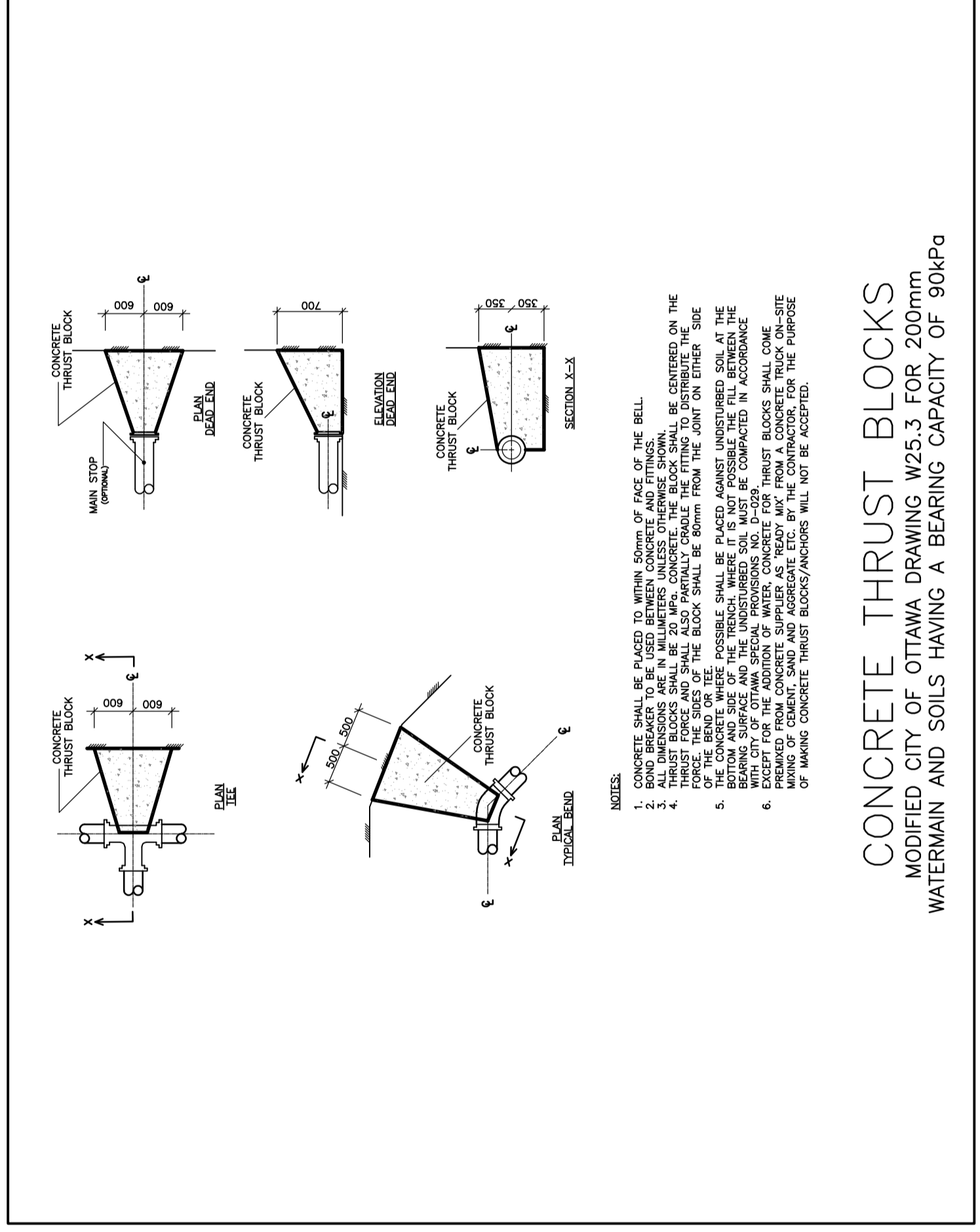
No.	DATE	REVISION
1	JUN 14-19	PRELIMINARY
2	AUG 9-19	ISSUED FOR APPROVAL
3	SEP 27-19	RE-ISSUED FOR APPROVAL
4	MAY 5-20	ISSUED FOR COORDINATION
5	JUN 18-20	RE-ISSUED FOR APPROVAL
6	NOV 16-20	RE-ISSUED FOR APPROVAL

D. B. GRAY ENGINEERING INC.
 700 Long Point Circle
 Ottawa, Ontario
 4gray@dbgrayengineering.com
 613-425-8044

PROPOSED
 RESIDENTIAL DEVELOPMENT
 1164-1166 HIGHCROFT DR.
 MANOTICK, ONTARIO

DETAILS
 Drawing Title

Engineer's Seal
 D.B. GRAY
 17018522
 (Nov 19-20)
 PROFESSIONAL ENGINEER
 CIVIL
 ONTARIO
 Drawing No. C-7
 of 11
 NOT VALID UNLESS SIGNED & DATED



CONCRETE THRUST BLOCKS
 MODIFIED CITY OF OTTAWA DRAWING W95.3 FOR 200mm
 WATERMAIN AND SOILS HAVING A BEARING CAPACITY OF 90kPa