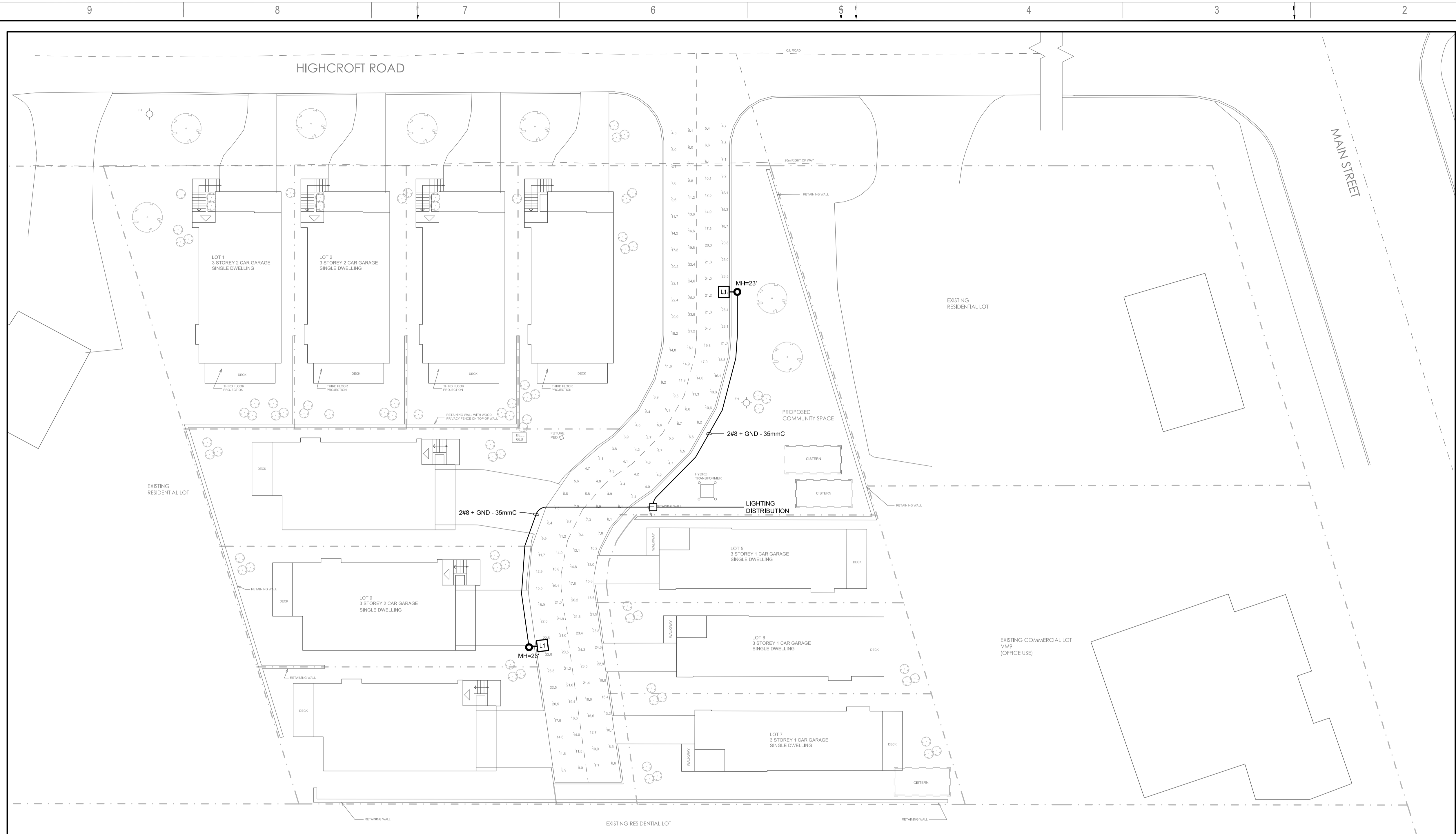
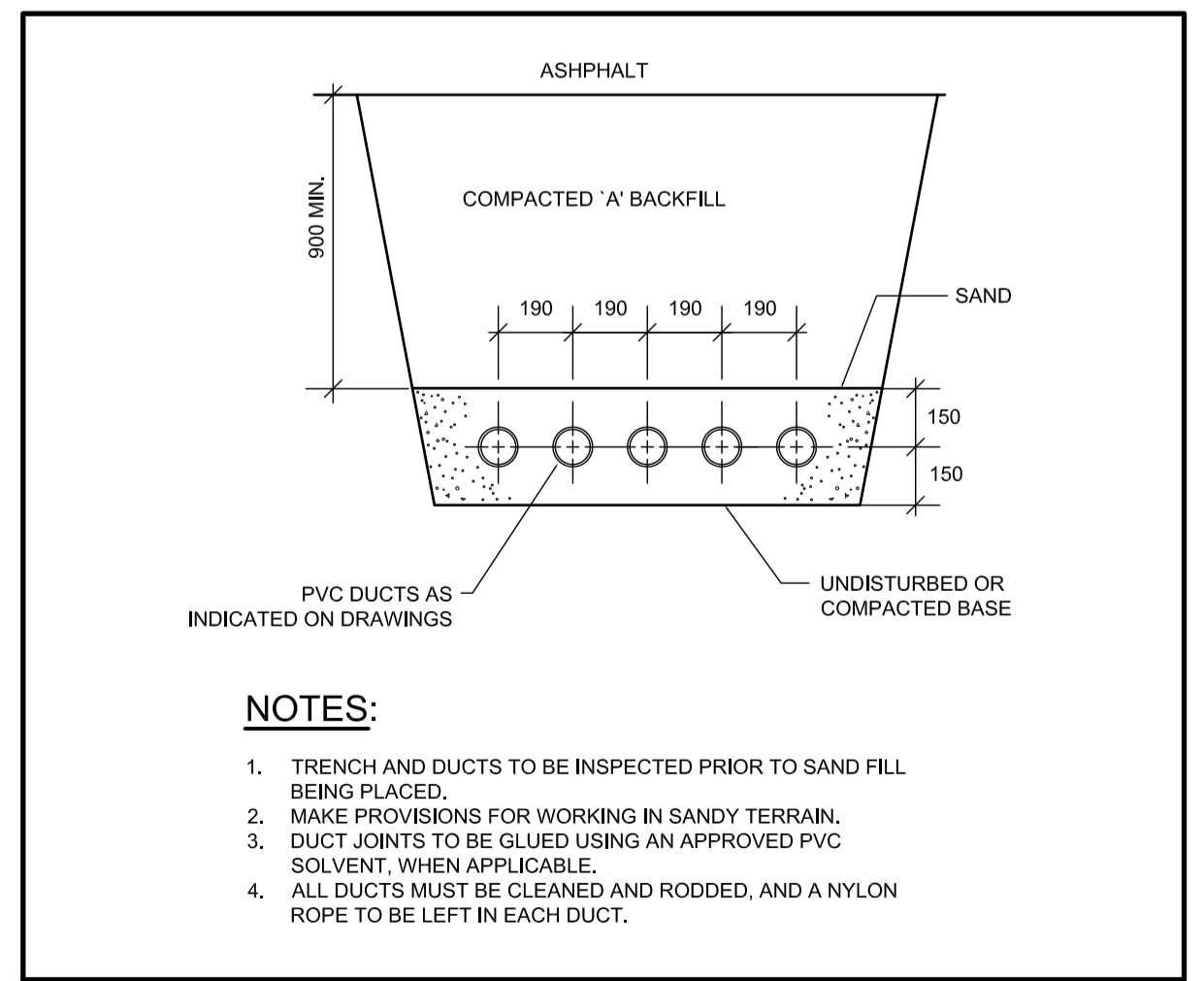


CONSULTANT:
 SEAL:
 CLIENT:
 CLIENT REF. #:
 PROJECT:
**1164 / 1166 HIGHCROFT
 MANOTICK, ON.**
 KEY PLAN:
 DISCLAIMER:
 THIS DRAWING AND DESIGN IS COPYRIGHT PROTECTED WHICH SHALL NOT BE REPRODUCED OR REVISED WITHOUT WRITTEN PERMISSION BY WSP CANADA INC. THE CONTRACTOR SHALL CHECK AND VERIFY ALL DIMENSIONS AND UTILITY LOCATIONS AND REPORT ALL ERRORS AND OMISSIONS PRIOR TO COMMENCING WORK. THIS DRAWING IS NOT TO BE SCALED.

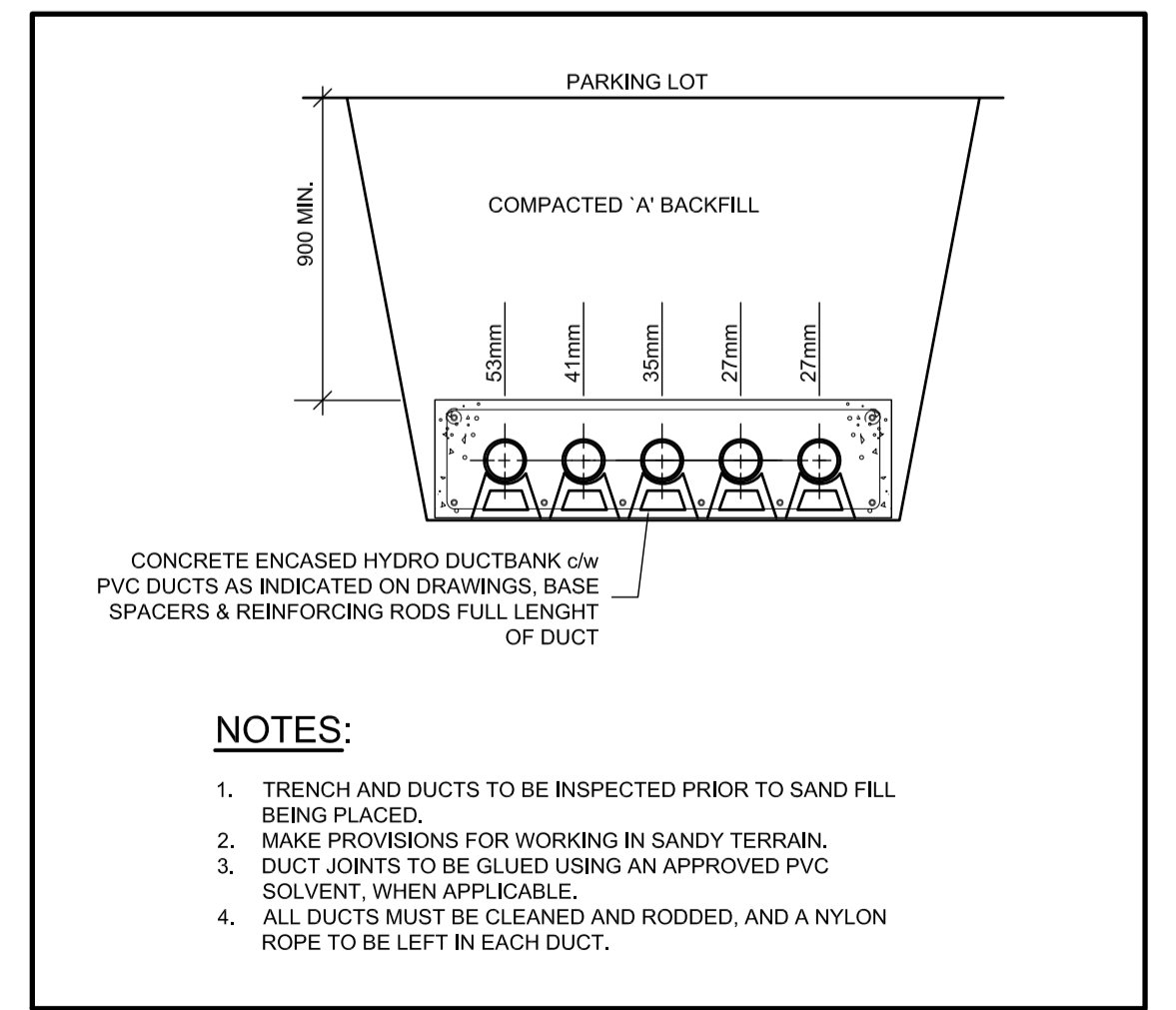


1 SITE PLAN - LIGHTING LAYOUT
 E-01 1:200

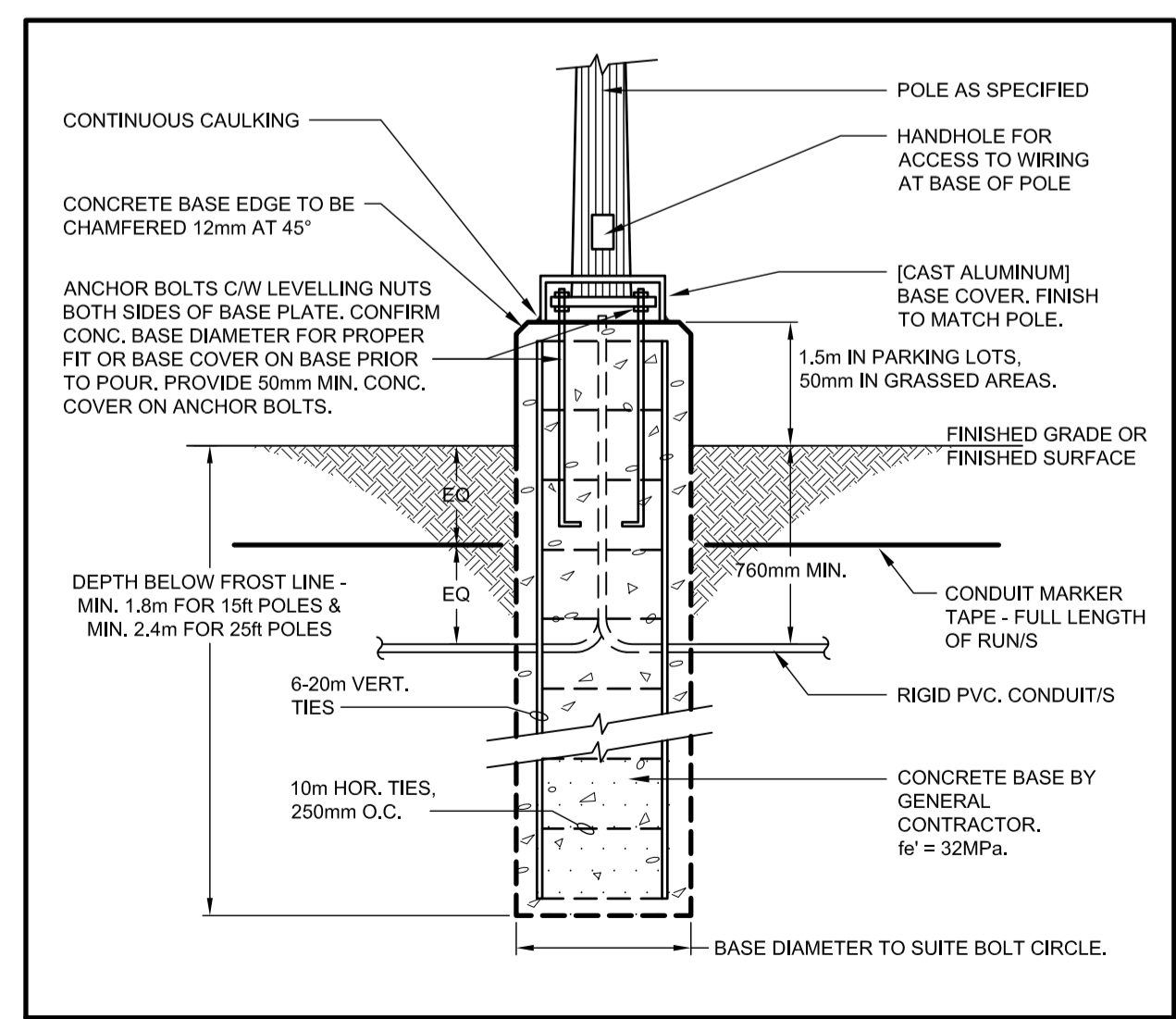
LIGHTING FIXTURE SCHEDULE		
TYPE	L1	
DISCRIPTION	STREETWORKS USSL DISCRETE LED AREA / SITE LUMINAIRE, 24 LED CONFIGURATION, TYPE II DISTRIBUTION	
CATALOGUE NUMBER	USSL-PA1A-730-U-T2R-HSS	
LAMPS PER FIXTURE	NO.	24
	TYPE	LED
	WATTS	2.25
	COLOUR	3000K
TOTAL LUMENS	6926	
VOLTAGE	120/208V	
TOTAL WATTS	54	
MOUNTING	POLE @ 23 FT.	
ABBREVIATIONS: "LED" = LIGHT EMITTING DIODE		



2 TYPICAL - DIRECT BURIED DUCT DETAIL
 E-01 N.T.S.



3 TYPICAL - DUCT DETAIL AT ROAD CROSSING
 E-01 N.T.S.



4 BASE DETAIL FOR POLE MOUNTED LUMINAIRES
 E-01 N.T.S.

IS	RE	DATE	DESCRIPTION
A		2020/07/09	ISSUED FOR SITE PLAN APPROVAL

PROJECT NO:	201-04582-00	DATE:	2020/07/07
ORIGINAL SCALE:		IF THIS BAR IS NOT 25mm LONG, ADJUST YOUR PLOTTING SCALE.	
DESIGNED BY:	D.G.		
DRAWN BY:	G.G.		
CHECKED BY:	D.G.		
DISCIPLINE:	ELECTRICAL		
TITLE:	SITE LIGHTING LAYOUT		
SHEET NUMBER:	E-01		
ISSUE:	ISSUED FOR SITE PLAN APPROVAL		
DATE OF:	2020/07/09	REV #	0