

NOT FOR CONSTRUCTION

Contractor to verify all dimensions & conditions on site and immediately notify the departmental representative of all discrepancies.

ISSUED FOR CITY OF OTTAWA SITE COORDINATION 2018/05/05

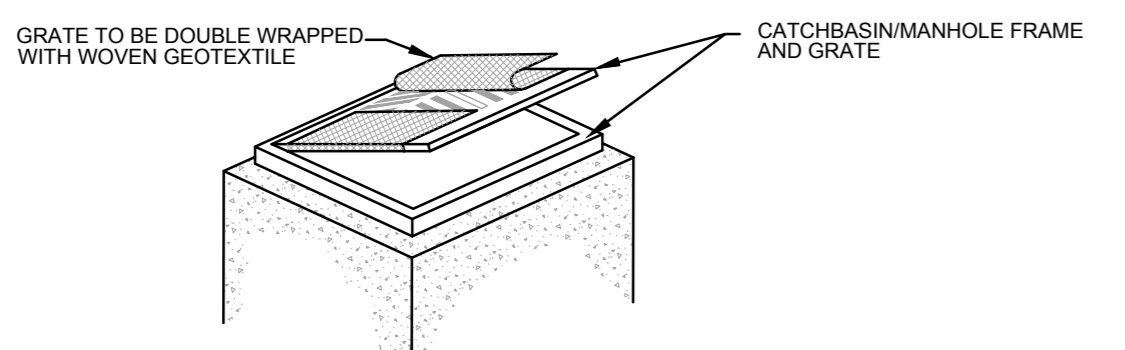
revisions	description	date
A	A detail no.	
B	B location drawing no.	
C	C drawing no.	

project
WEST MEMORIAL BUILDING REHABILITATION PROJECT

344 WELLINGTON, OTTAWA, ON
drawing dessein

EROSION AND SEDIMENT CONTROL PLAN

Designed By	DK	Conçu par	Conçu par
Date	2018/12/14	(yyyy/mm/dd)	
Drawn By	NI	Dessiné par	Dessiné par
Date	2018/12/14	(yyyy/mm/dd)	
Reviewed By	EE	Examiné par	Examiné par
Date	2018/12/14	(yyyy/mm/dd)	
Approved By	Approver	Approuvé par	Approuvé par
Date	2018/12/14	(yyyy/mm/dd)	
Tender	Tender	Soumission	
Project Manager	Project Manager	Administrateur de projets	
Project no.		No. du projet	
			R.086471.405
Drawing no.		No. du dessein	C-006



CATCH BASIN MANHOLE PROTECTION DETAIL
N.T.S.

EROSION AND SEDIMENT CONTROL NOTES:

1. THE CONTRACTOR SHALL IMPLEMENT BEST MANAGEMENT PRACTICES, TO PROVIDE FOR PROTECTION OF THE AREA DRAINAGE SYSTEM AND THE RECEIVING WATERCOURSE, DURING CONSTRUCTION ACTIVITIES. THIS INCLUDES LIMITING THE AMOUNT OF EXPOSED SOIL, USING FILTER CLOTH UNDER THE GRATES OF CATCHBASINS AND MANHOLES, AND INSTALLING SILT FENCES AND OTHER EFFECTIVE SEDIMENT TRAPS. THE CONTRACTOR ACKNOWLEDGES THAT FAILURE TO IMPLEMENT APPROPRIATE EROSION AND SEDIMENT CONTROL MEASURES MAY BE SUBJECT TO PENALTIES IMPOSED BY ANY APPLICABLE REGULATORY AGENCY TO BE PAID FOR AT THE CONTRACTOR'S EXPENSE.
2. EROSION AND SEDIMENT CONTROL MEASURES ARE TO BE IMPLEMENTED PRIOR TO CONSTRUCTION AND REMAIN IN PLACE UNTIL VEGETATION IS ESTABLISHED AND APPROVAL IS GRANTED BY THE ENGINEER TO REMOVE MEASURES.
3. REGULAR INSPECTION AND MAINTENANCE OF THE EROSION AND SEDIMENT MEASURES SHALL BE UNDERTAKEN. THE IMPLEMENTATION AND ADJUSTMENT AND/OR CORRECTIVE MAINTENANCE OF THE EROSION AND SEDIMENT MEASURES IS AN INTEGRAL PART OF THE PLAN AND MUST BE PERFORMED.
4. GEOTEXTILE FILTER FABRIC SHALL BE PLACED BETWEEN THE STRUCTURE FRAME AND COVER FOR ALL MANHOLES, CATCHBASINS, AND CATCHBASIN MANHOLES RECEIVING RUNOFF FROM THE CONSTRUCTION AREA.
5. ALL SEDIMENT CONTROL MEASURES SHALL BE INSPECTED ON A REGULAR BASIS AND FOLLOWING STORM EVENTS FOR INTEGRITY AND FUNCTION BY THE CONTRACTOR. ANY REQUIRED REPAIRS TO EROSION AND SEDIMENT CONTROL MEASURES TO BE COMPLETED WITHIN 24 HOURS.

6. ALL SEDIMENT CONTROL MEASURES ARE TO BE MAINTAINED BY THE CONTRACTOR AS NECESSARY. SEDIMENTS REMOVED FROM THE CONTROL MEASURES (SILT FENCES, CATCHBASIN SEDIMENT CONTROLS, ETC.) SHALL BE DISPOSED OF IN ACCORDANCE WITH MOECC GUIDELINES.
7. IF NECESSARY, ADDITIONAL SEDIMENT CONTROL MEASURES MAY BE INSTALLED AS DIRECTED BY THE ENGINEER OR THE RIDEAU VALLEY CONSERVATION AUTHORITY.
8. SEDIMENT CAPTURE FILTER SOCKS SHALL BE FILTREX CANADA OR APPROVED EQUIVALENT, SHALL FULLY SURROUND THE INLET BEING PROTECTED WITH ONE FOOT OF OVERLAP. SHALL BE ANCHORED TO THE GROUND, AND INSTALLED IN ACCORDANCE WITH THE MANUFACTURER'S INSTRUCTIONS.
9. ONCE NEW CATCH BASINS ARE INSTALLED, GEOTEXTILE FILTER FABRIC SHALL BE PLACED AS PER NOTE 4, AND SHALL REMAIN IN PLACE UNTIL THE COMPLETION OF CONSTRUCTION ACTIVITIES.

LEGEND

- GEOTEXTILE FILTER FABRIC FOR EXISTING CATCH BASINS
- SEDIMENT CAPTURE FILTER SOCKS AS PER NOTE 8, FOR EXISTING CURB-INLET CATCH BASINS
- NEW CATCH BASINS (SEE NOTE 9)

SCALE 1:200
HORIZONTAL
0m 4 8