

SOIL DESCRIPTION: VERY FINE SANDS, SANDY CLAYS, CLAYS
SOILS WITH TYPICAL BEARING STRENGTH OF 100 TO 199 KPa

PIPE DIAMETER	DIMENSION NOTED ON W25.3			
	A	B	C	D
102	200	200	200	300
152	400	400	250	300
203	550	550	300	450
254	650	650	400	500
305	800	800	450	600
406	1050	1050	600	800

SOIL DESCRIPTION: SILTY SAND, GRAVELS OR CLAYEY SAND GRAVEL
SOILS WITH TYPICAL BEARING STRENGTH OF 200 TO 299 KPa

PIPE DIAMETER	DIMENSION NOTED ON W25.3			
	A	B	C	D
102	200	200	150	150
152	250	250	200	200
203	350	350	250	270
254	450	450	300	350
305	500	500	350	400
406	750	750	400	600

SOIL DESCRIPTION: SANDS, GRAVELS AND GRAVEL SAND MIXTURES
SOILS WITH TYPICAL BEARING STRENGTH OF 300 KPa AND OVER

PIPE DIAMETER	DIMENSION NOTED ON W25.3			
	A	B	C	D
102	150	150	150	150
152	200	200	200	200
203	300	300	200	230
254	400	400	250	270
305	450	450	300	300
406	650	650	350	450

DATE: MAY 2001
REV: MARCH 2013
ENG. NO.: W25.4

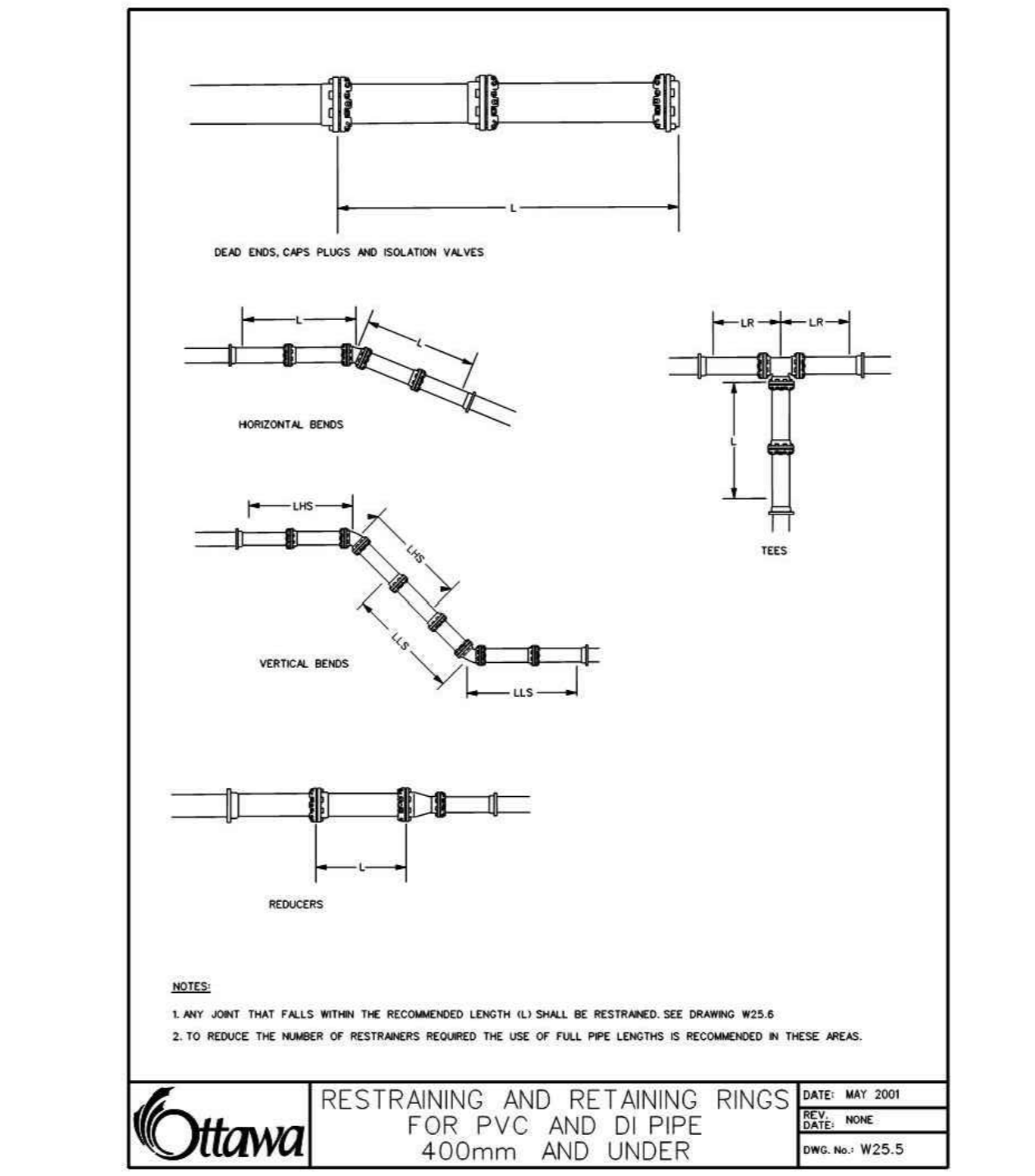


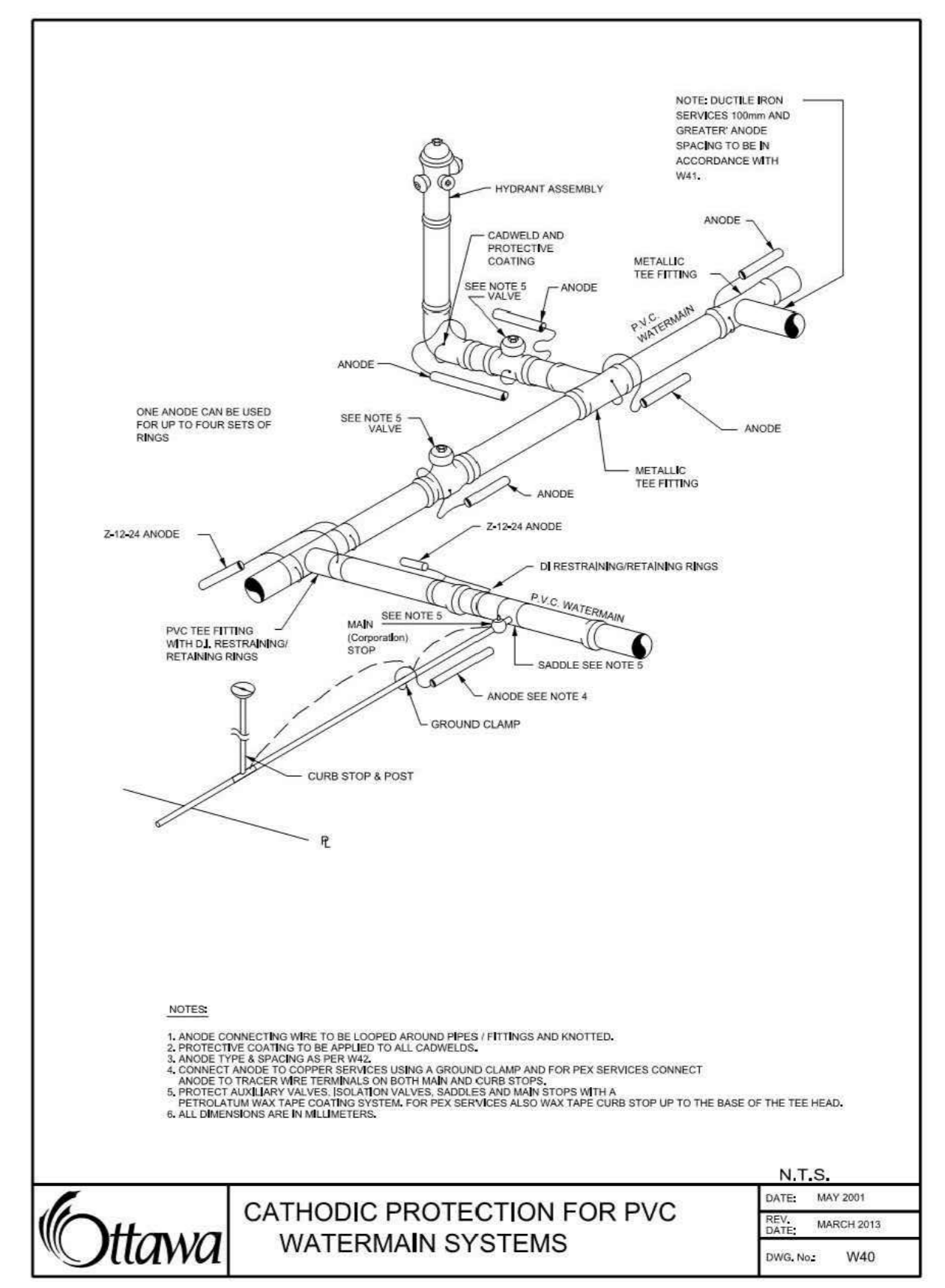
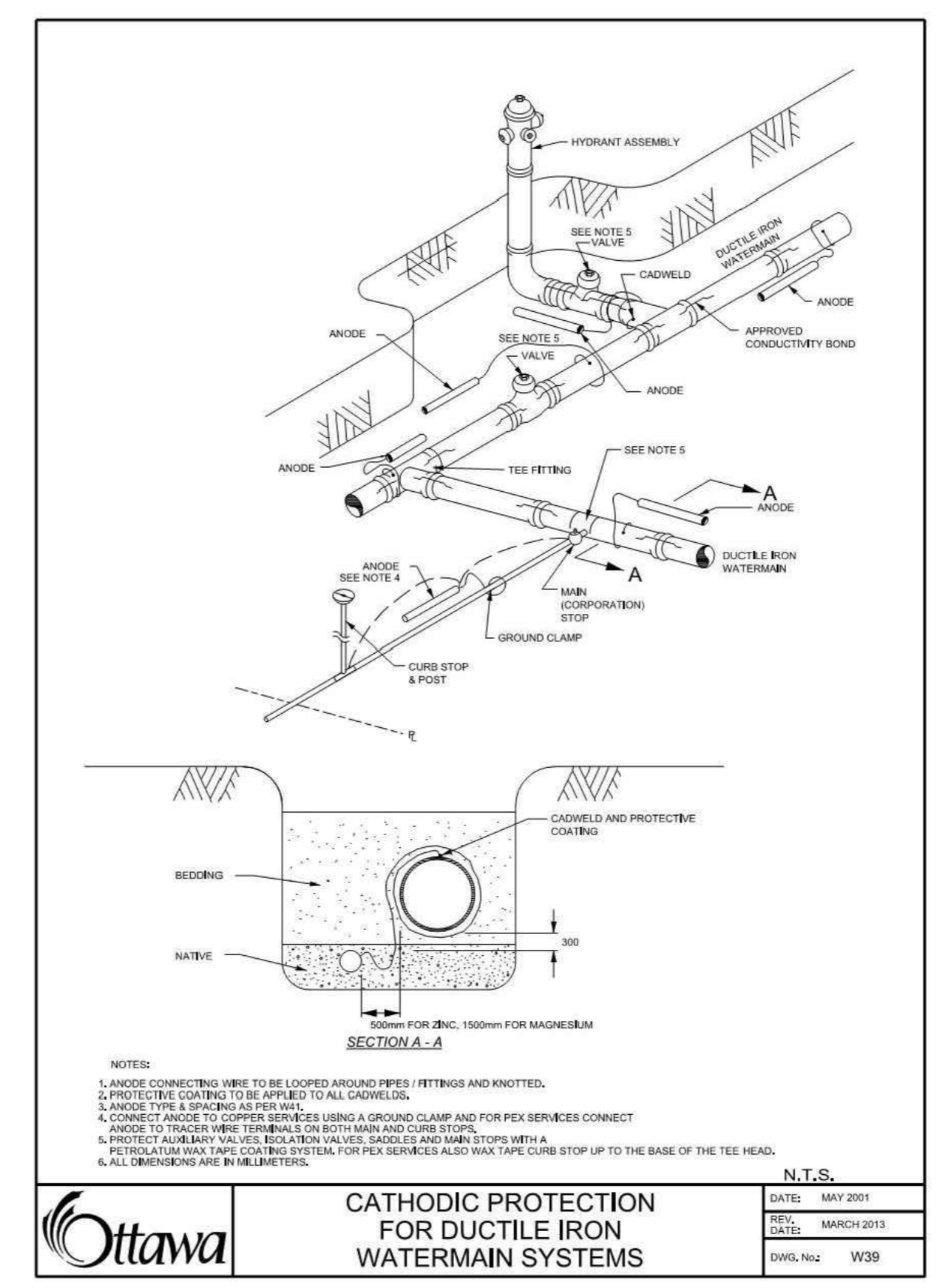
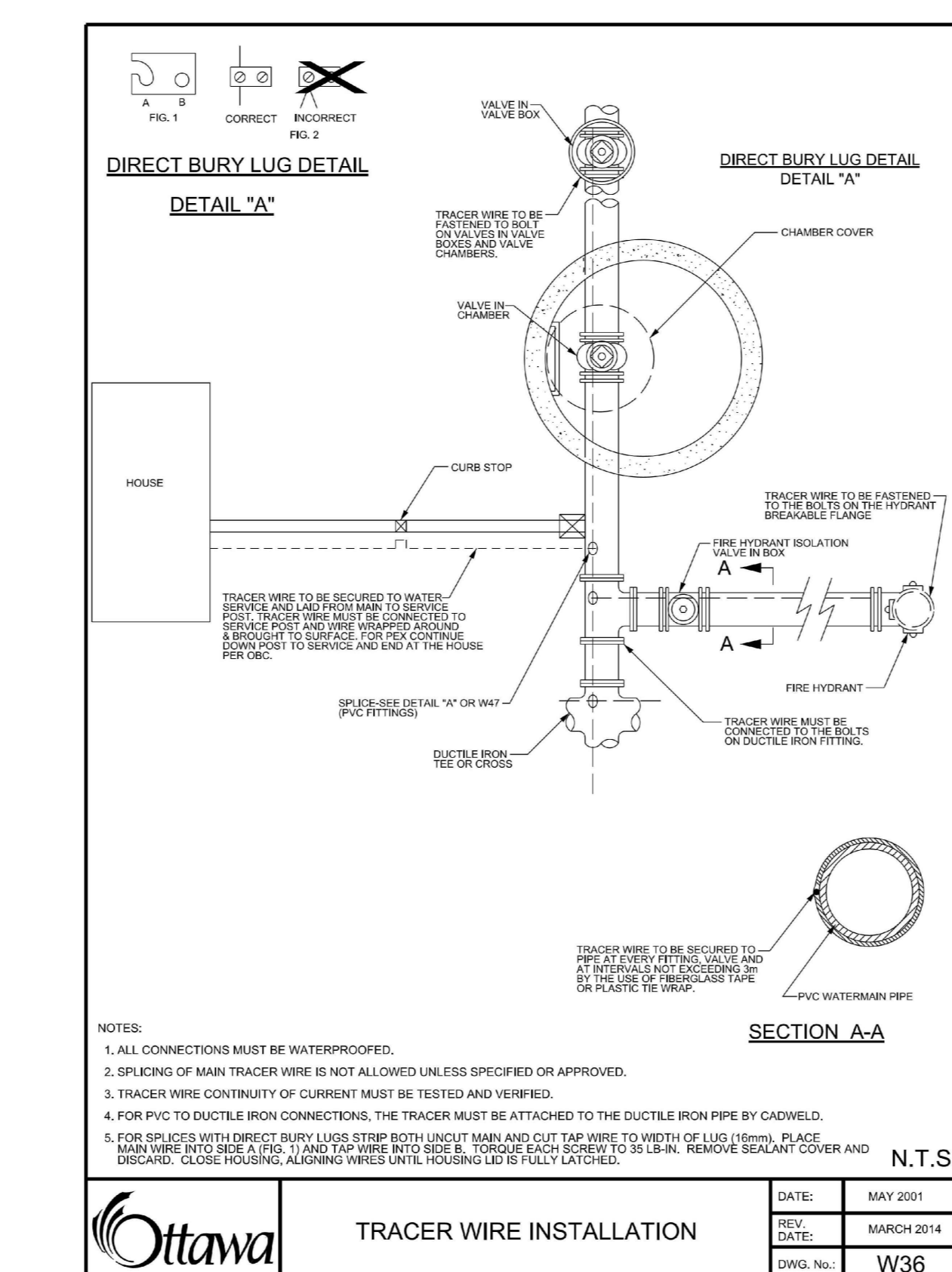
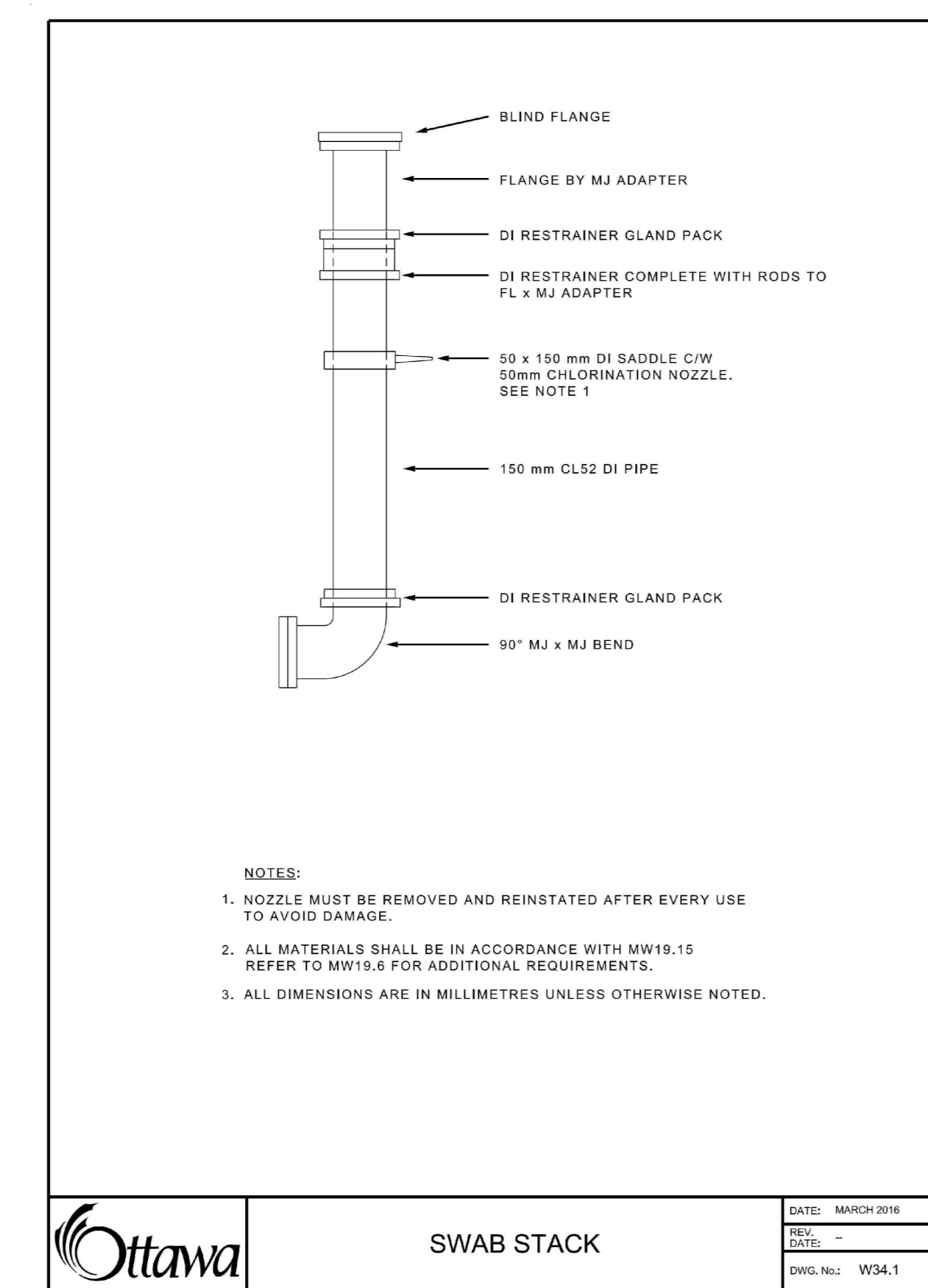
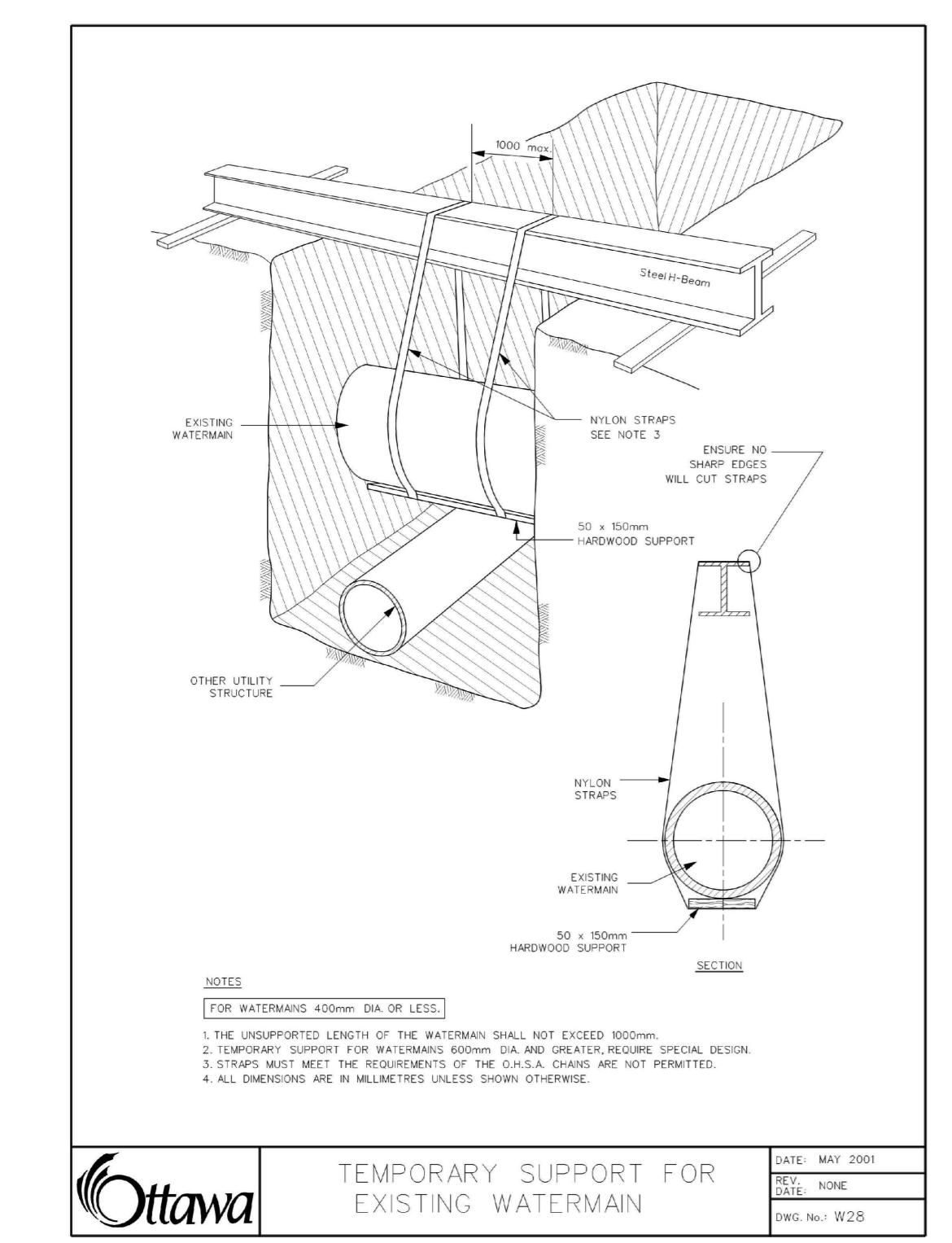
TABLE OF RESTRAINED LENGTHS FOR DI AND PVC WATERMAIN PIPE IN STANDARD GRAVEL/RAIL EMBEDMENT IN SOILS OF BEARING CAPACITY OF 100 KPa AND OVER

REDUCERS	LARGER DIAMETER SIDE (TO BE RESTRAINED)				
	100mm	150mm	200mm	250mm	300mm
100mm	N/A	3	6	8	10
150mm	N/A	N/A	4	6	9
200mm	N/A	N/A	N/A	3	6
250mm	N/A	N/A	N/A	N/A	4
300mm	N/A	N/A	N/A	N/A	N/A
400mm	N/A	N/A	N/A	N/A	N/A

PIPE DIAMETER

PIPE DIAMETER	RESTRAINED LENGTHS				
	100mm	150mm	200mm	250mm	300mm
100mm	5	6	9	10	12
150mm	3	4	5	6	7
200mm	1.5	2	2.5	3	3.5
250mm	1	1	1	1	1
300mm	3	3	3	3	3
400mm	1	1.5	1.5	2	2

DATE: MAY 2001
REV: MARCH 2013
ENG. NO.: W25.6



Contractor to verify all dimensions & conditions on site and immediately notify the departmental representative of all discrepancies.

ISSUED FOR CITY OF OTTAWA SITE COORDINATION R1 2020/01/20

revisions	description	date
A	A detail no. du détail	
B	B location drawing no. sur dessin no.	
C	C drawing no. dessin no.	

project WEST MEMORIAL BUILDING REHABILITATION PROJECT

344 WELLINGTON, OTTAWA, ON

drawing DETAILS (2 OF 3)

Designed By	Conçu par
EE	Conçu par
Date	2018/12/14
Drawn By	NI
Date	2018/12/14
Reviewed By	EE
Date	2018/12/14
Approved By	Approver
Date	2018/12/14
Tender	Tender
Project Manager	Administrateur de projets
Project no.	No. du projet
R.086471.405	
Drawing no.	No. du dessin
C-003	

9707-12-19-0102 #18081